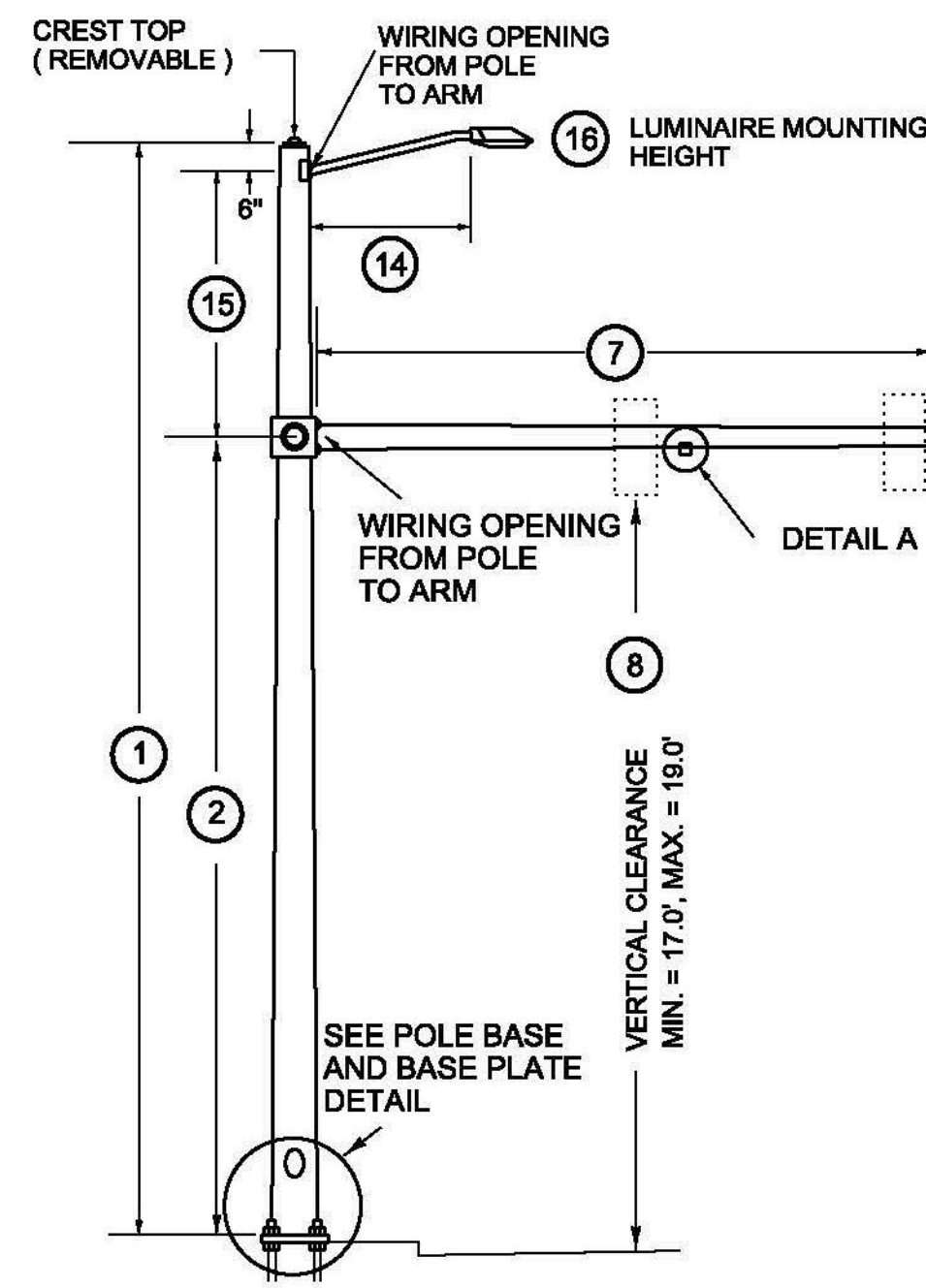
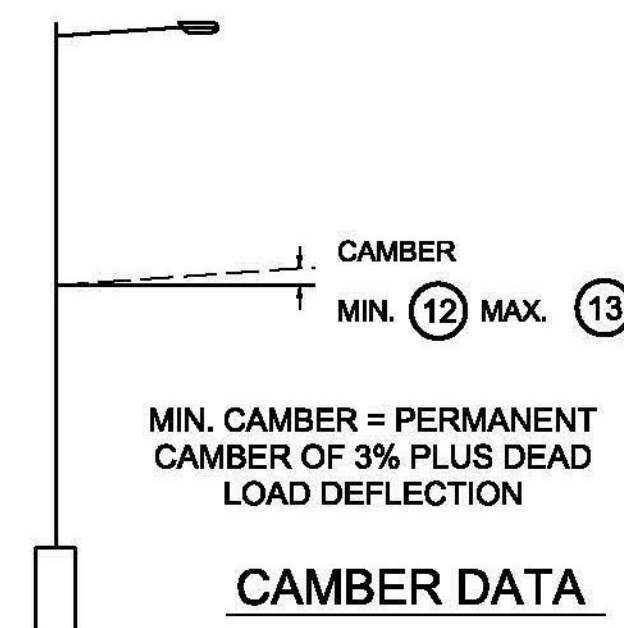


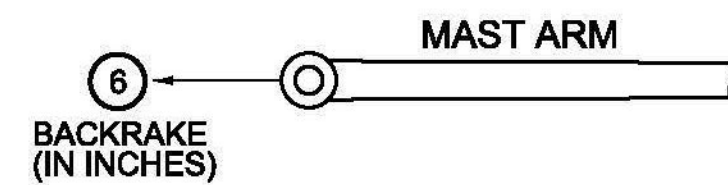
MAST ARM, POLE & FOOTING DETAILS



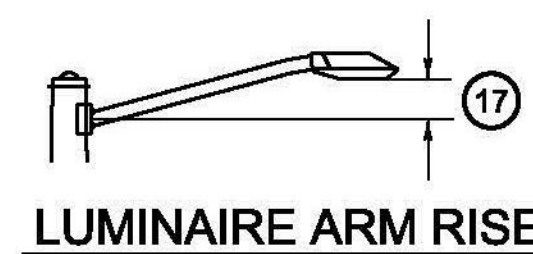
- POLE BASE DIAMETER (3)
- POLE GAUGE (4)
- POLE TAPER RATE (5)
- ARM DIAMETER (9)
- ARM GAUGE (10)
- ARM TAPER RATE (11)



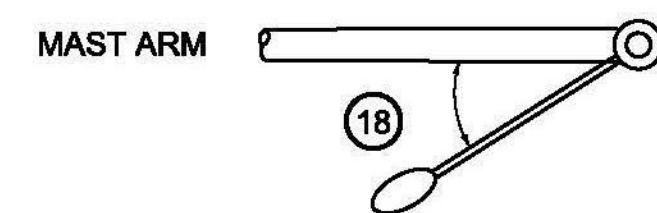
CAMBER DATA



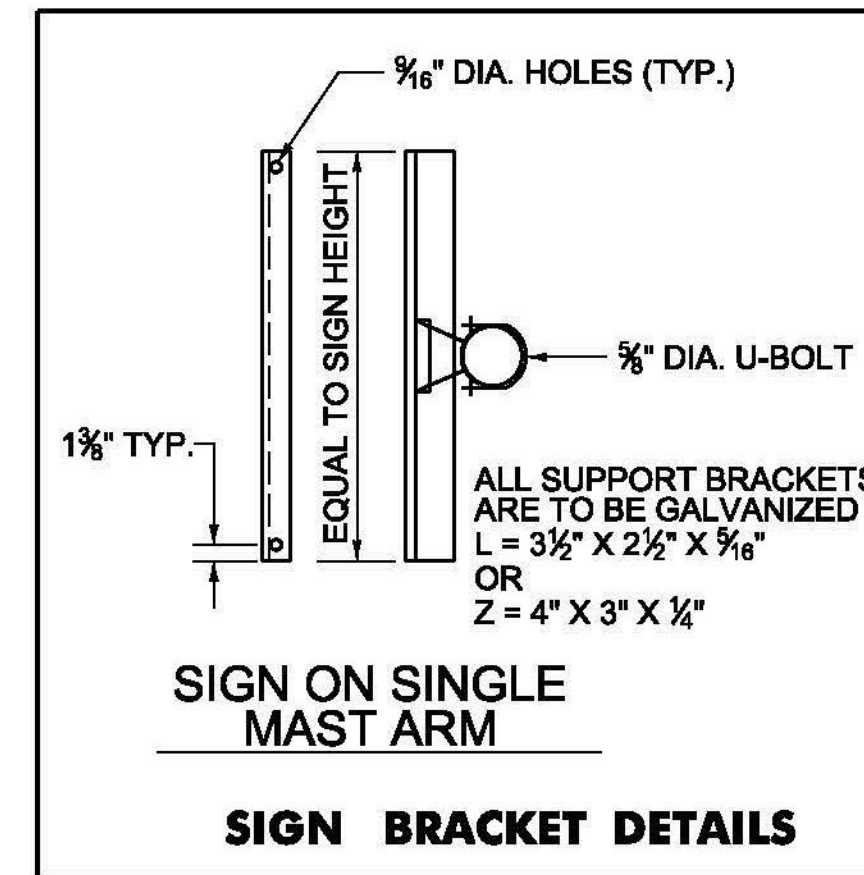
ARM ORIENTATION AND BACKRAKE DATA



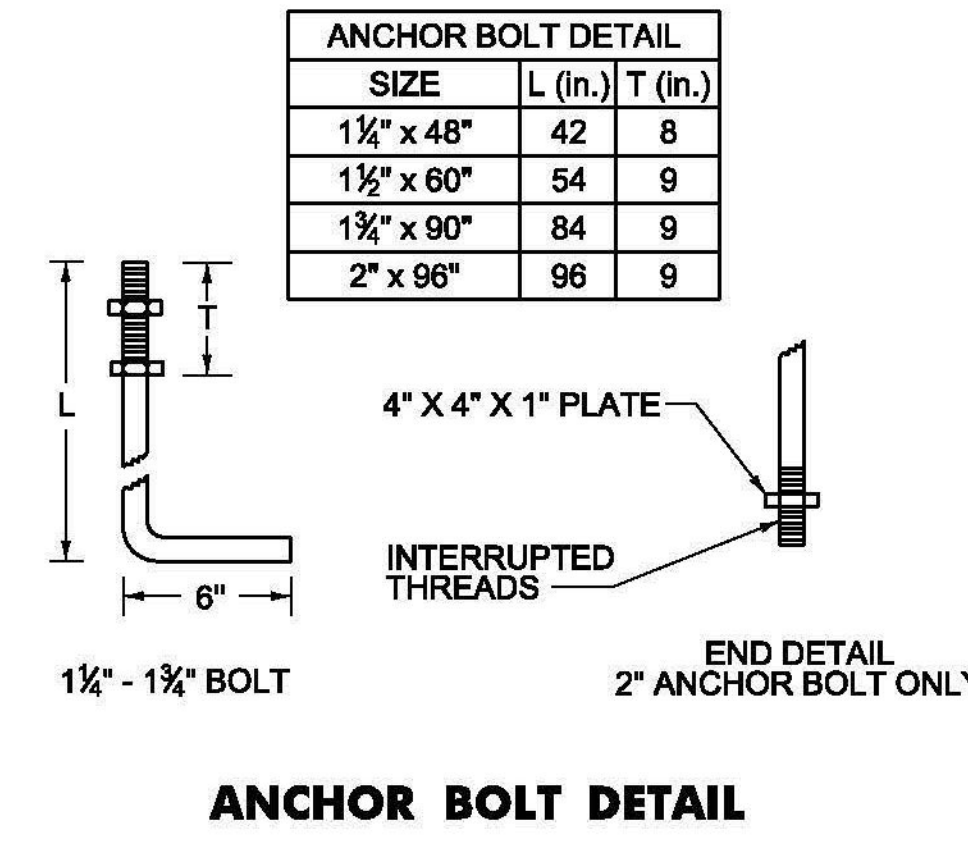
LUMINAIRE ARM RISE



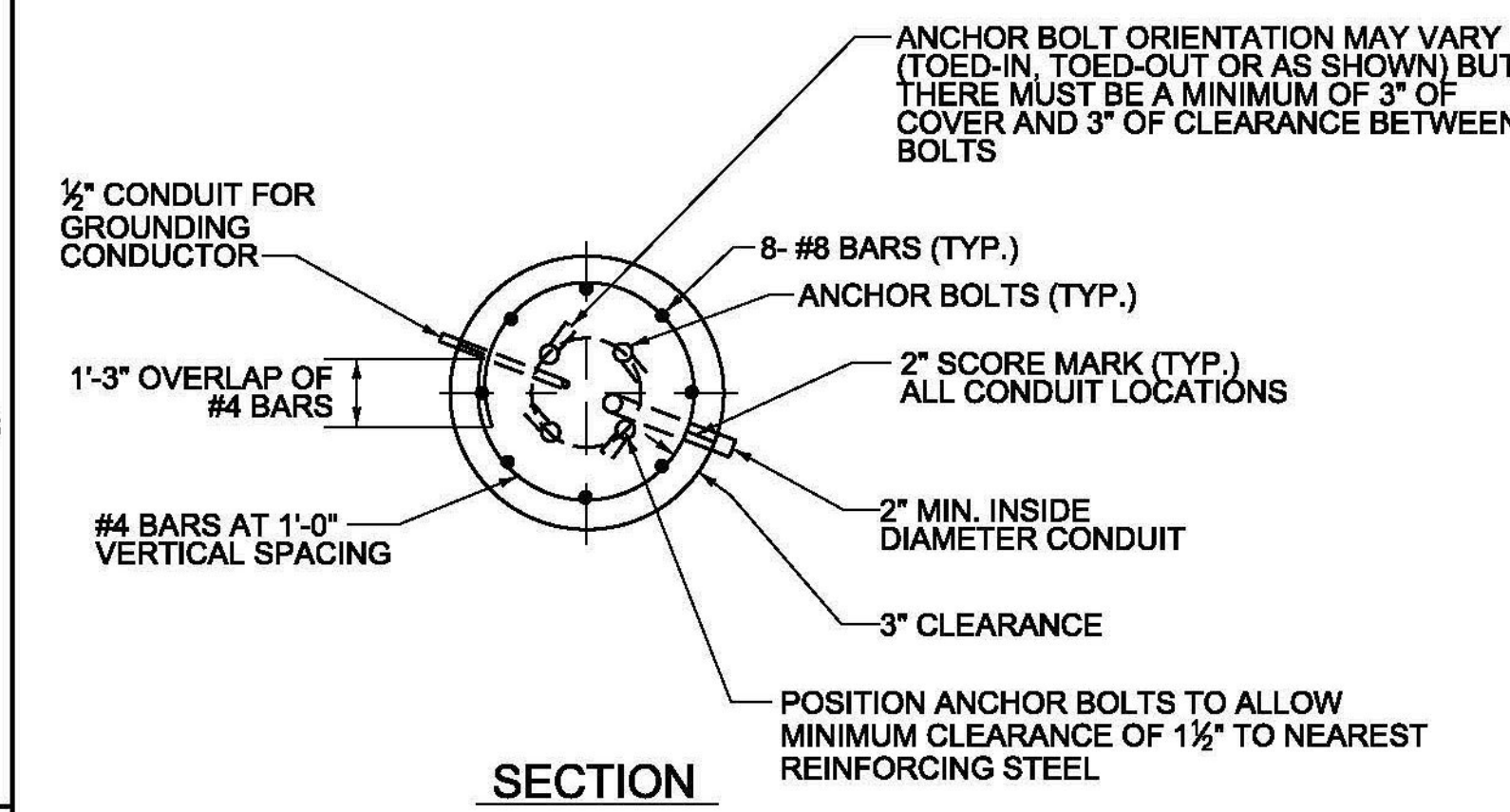
LUMINAIRE ORIENTATION



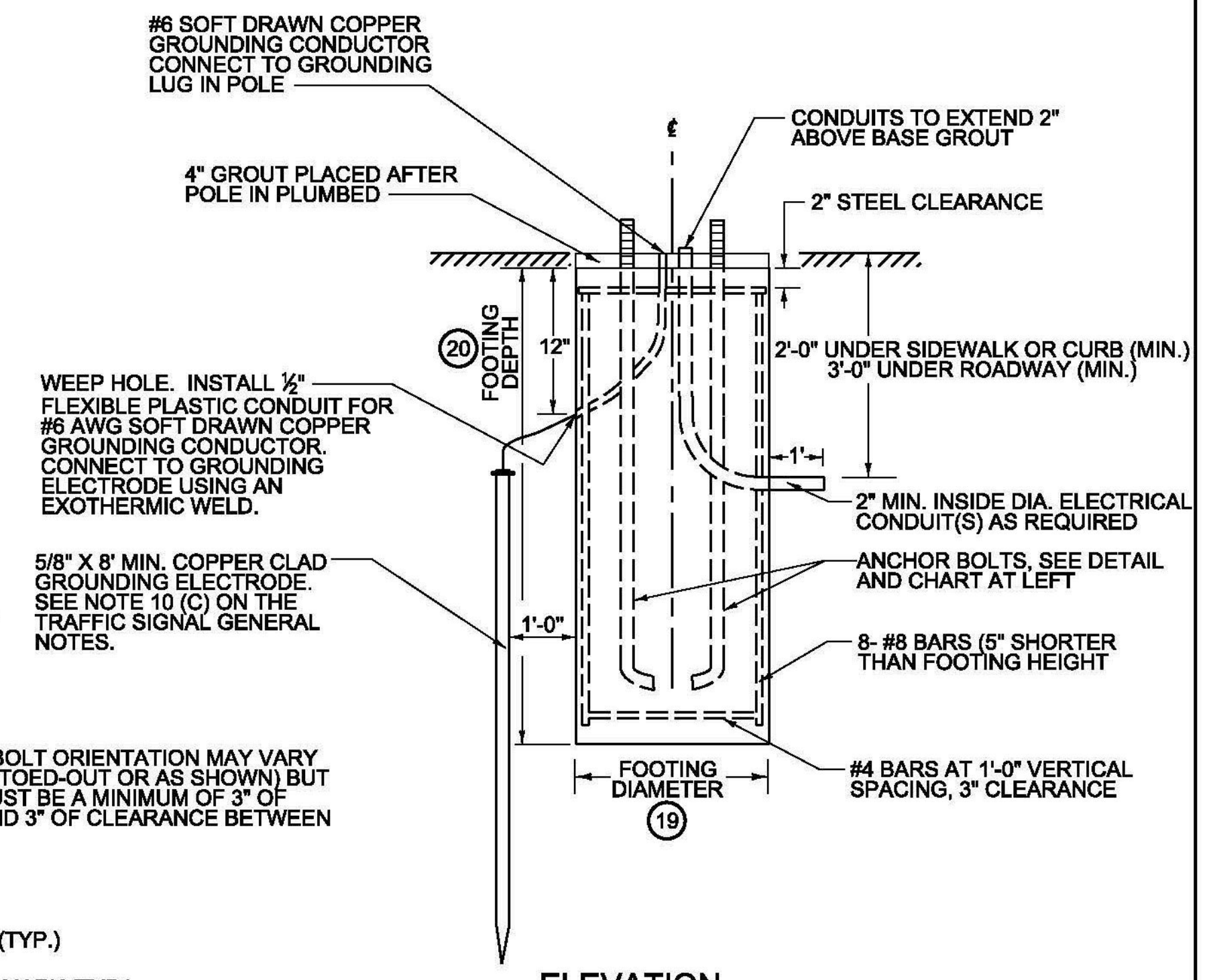
SIGN BRACKET DETAILS



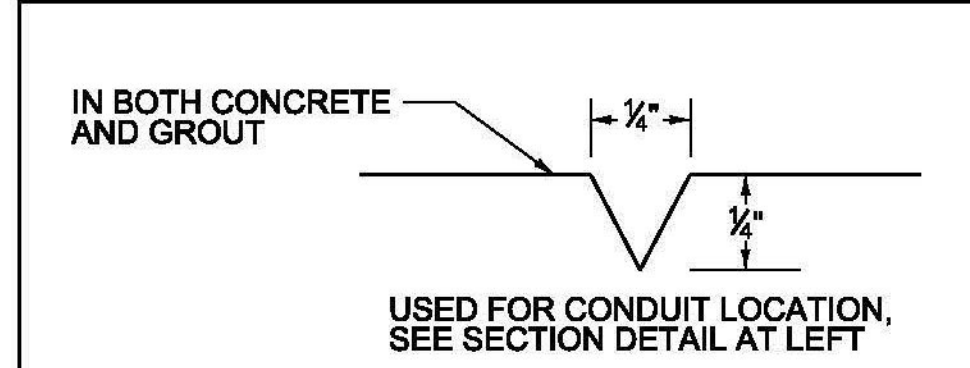
ANCHOR BOLT DETAIL



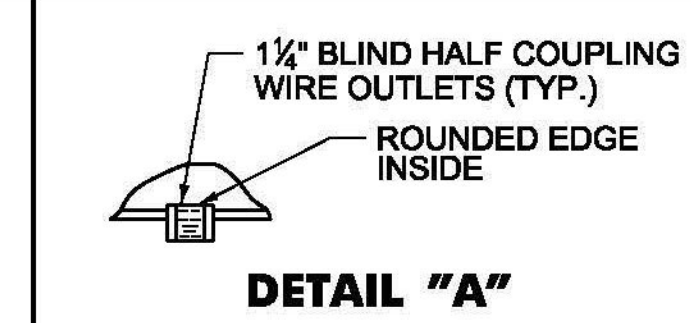
MAST POLE FOOTING DETAIL
(SPREAD FOOTINGS OR PILES ARE OPTIONAL)



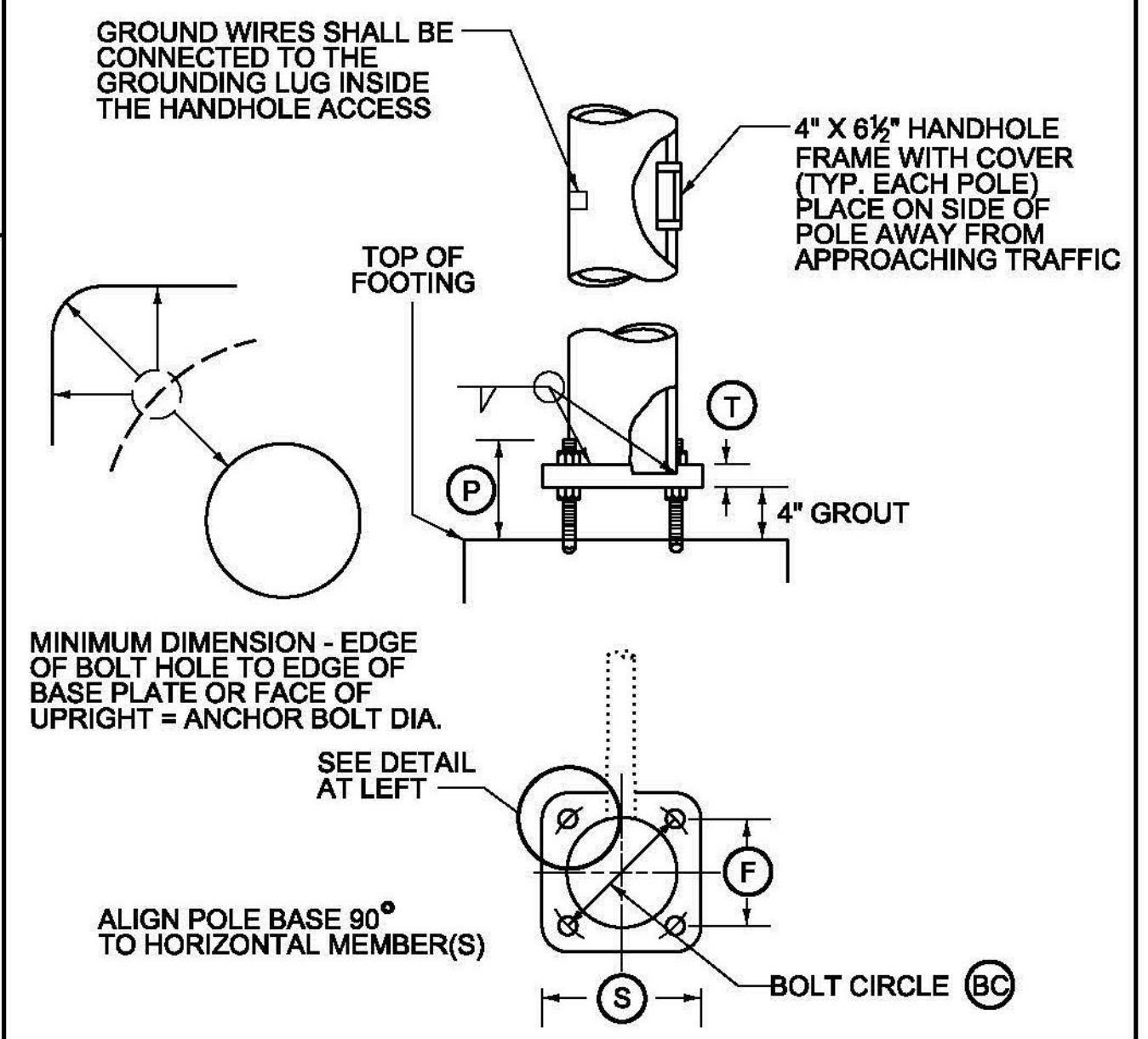
ELEVATION



2" SCORE MARK DETAIL



DETAIL "A"



POLE BASE AND BASE PLATE DETAIL

- NOTES**
- SEE TRAFFIC SIGNAL GENERAL NOTES FOR ADDITIONAL INFORMATION.
 - MANUFACTURER TO DETERMINE TYPE OF STRUCTURE REQUIRED.
 - MONOTUBES SHALL NOT BE USED FOR SIGNS OVER 10' HIGH.
 - MINIMUM CLEARANCE FROM SIGNS TO ANY TRAVEL LANE SHALL BE 17'.
 - CONTRACTOR SHALL VERIFY ALL GROUND ELEVATIONS.
 - LUMINAIRES, ALL ASSOCIATED EQUIPMENT AND LABOR TO INSTALL SHALL BE PAID FOR UNDER CONTRACT ITEM NOS. 679.47 AND 900.620 - SPECIAL PROVISION (LUMINAIRE, LED).

		STRUCTURE DIMENSIONS																									
POLE	TYPE	POLE DATA						ARM DATA						LIGHTING DATA				FOOTING DATA		BASE PLATE / BOLT DATA							
		(1)	(2)	(3)	(4)	(5)	(6)	(7)	(8)	(9)	(10)	(11)	(12)	(13)	(14)	(15)	(16)	(17)	(18)	(19)	(20)	(BC)	(F)	(S)	(T)	(P)	ANCHOR BOLT SIZE
MAP1							55							12	9.5	30	6"	42									
MAP2							35							12	10.5	30	6"	68									
MAP3							55							12	10	30	6"	32									
MAP4							40							12	12	30	6"	68									

PROJECT NAME: BERLIN
 PROJECT NUMBER: STPG SGNL(40)
 FILE NAME: stg_de+01.dgn PLOT DATE: 10/20/2014
 PROJECT LEADER: P. COBURN DRAWN BY: T. SISSON
 DESIGNED BY: T. SISSON CHECKED BY: M. LACROIX
 TRAFFIC SIGNAL DETAIL SHEET SHEET 36 OF 123