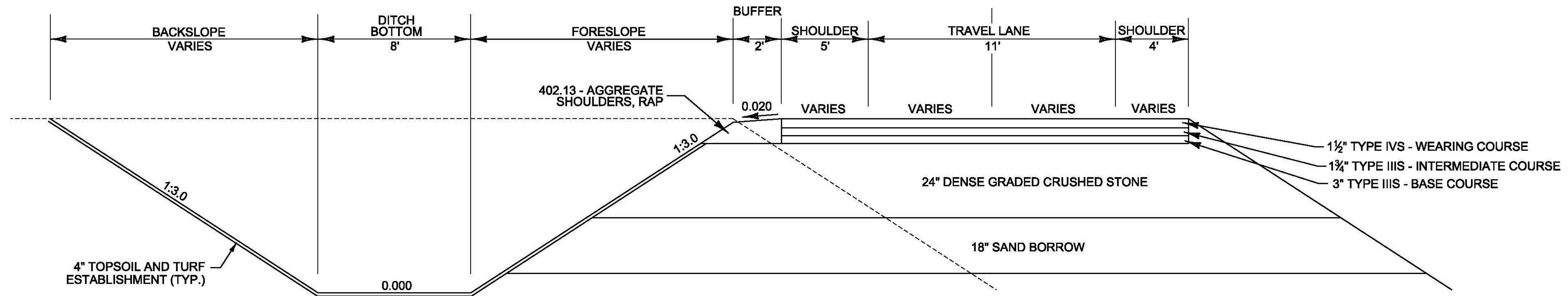


TYPICAL SECTIONS

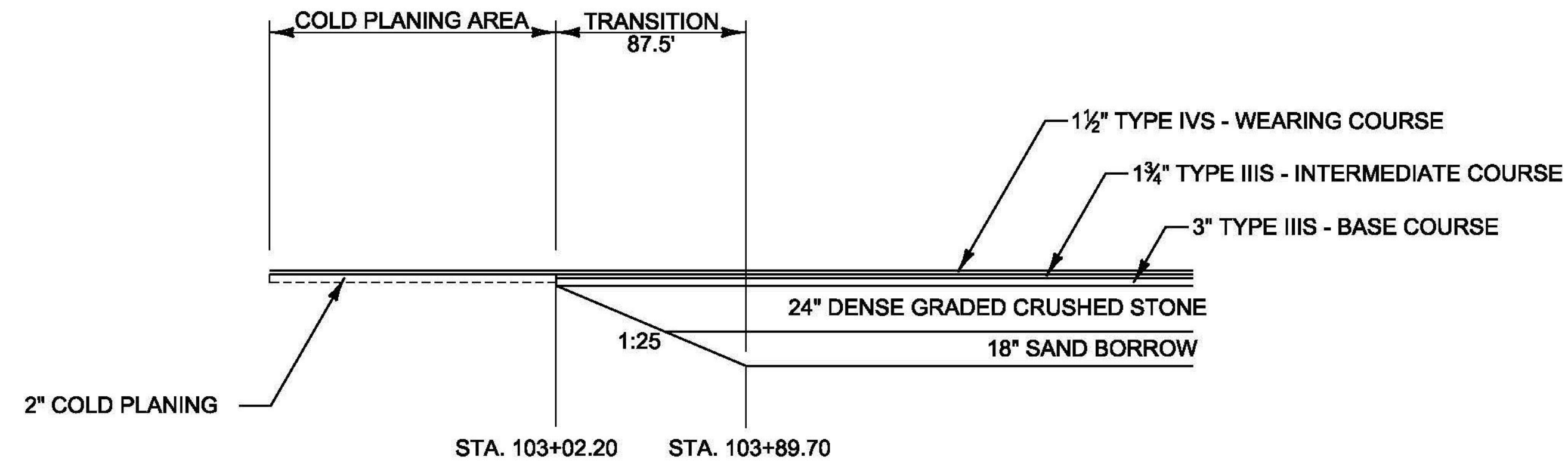
BERLIN STATE HIGHWAY

1½" TYPE IVS - WEARING COURSE
 1¾" TYPE IIIS - INTERMEDIATE COURSE
 3" TYPE IIIS - BASE COURSE
 24" DENSE GRADED CRUSHED STONE
 18" SAND BORROW



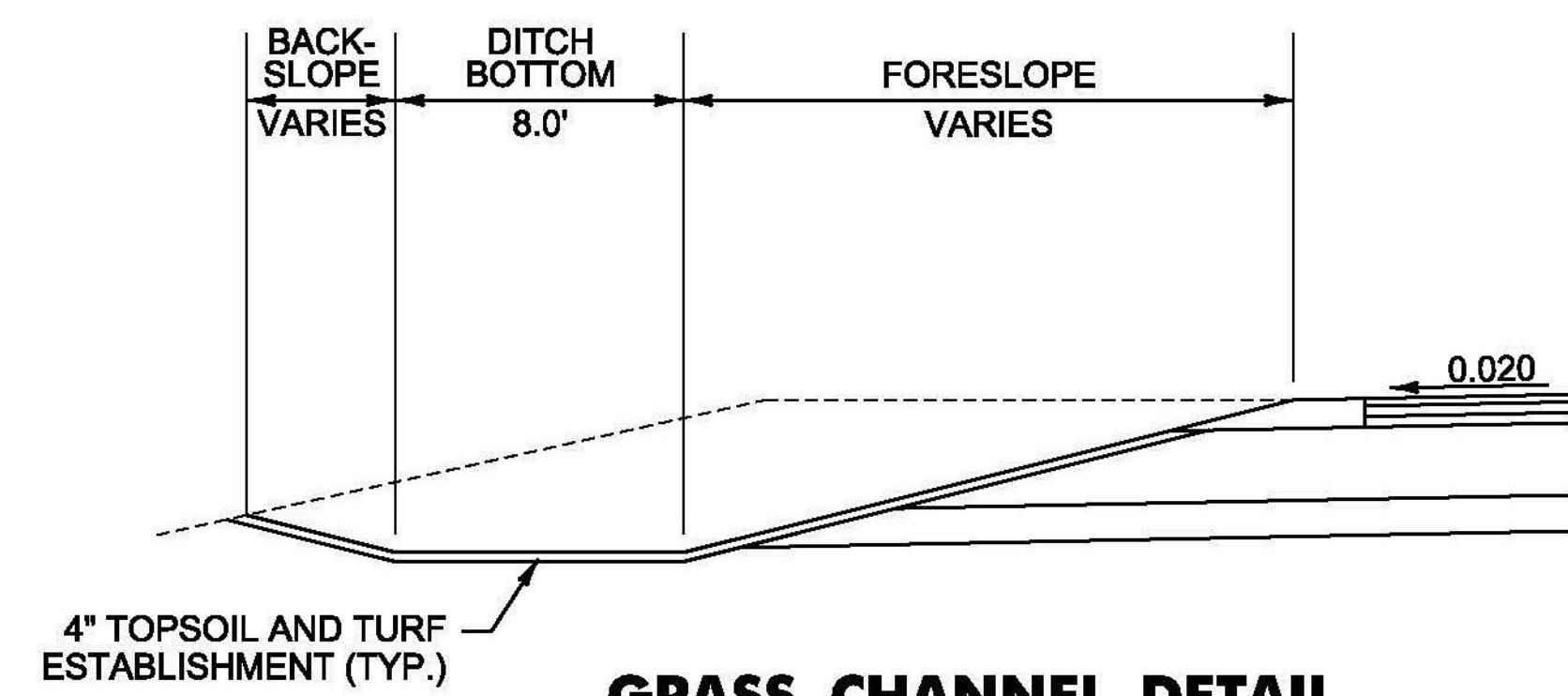
BERLIN STATE HIGHWAY

NOT TO SCALE



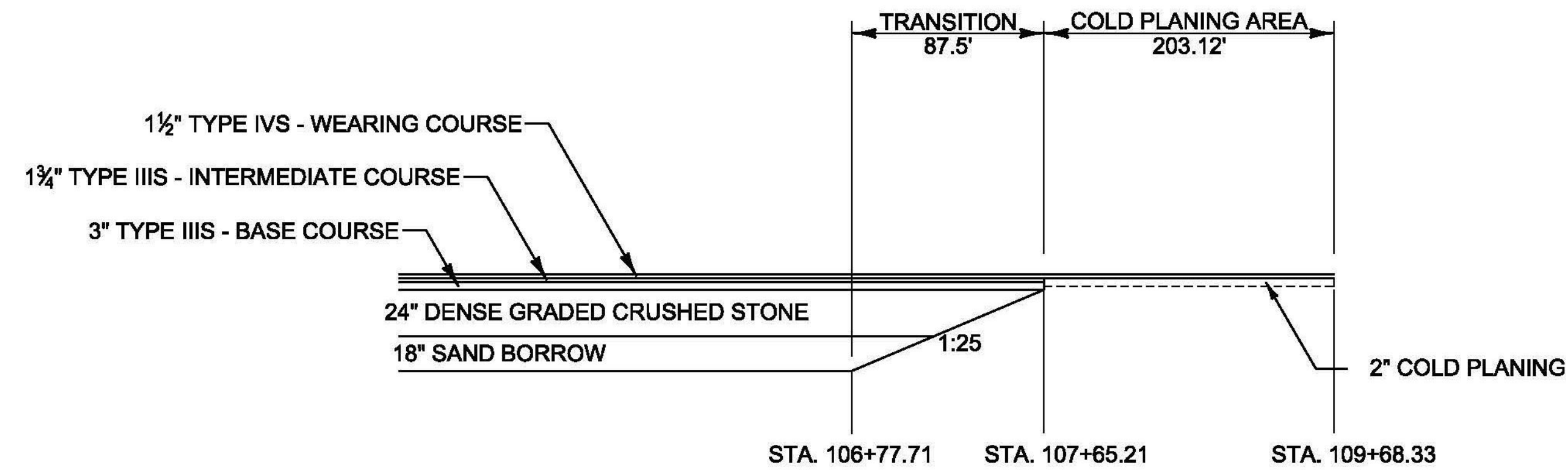
BERLIN STATE HIGHWAY MATERIAL TRANSITION BEGIN

NOT TO SCALE



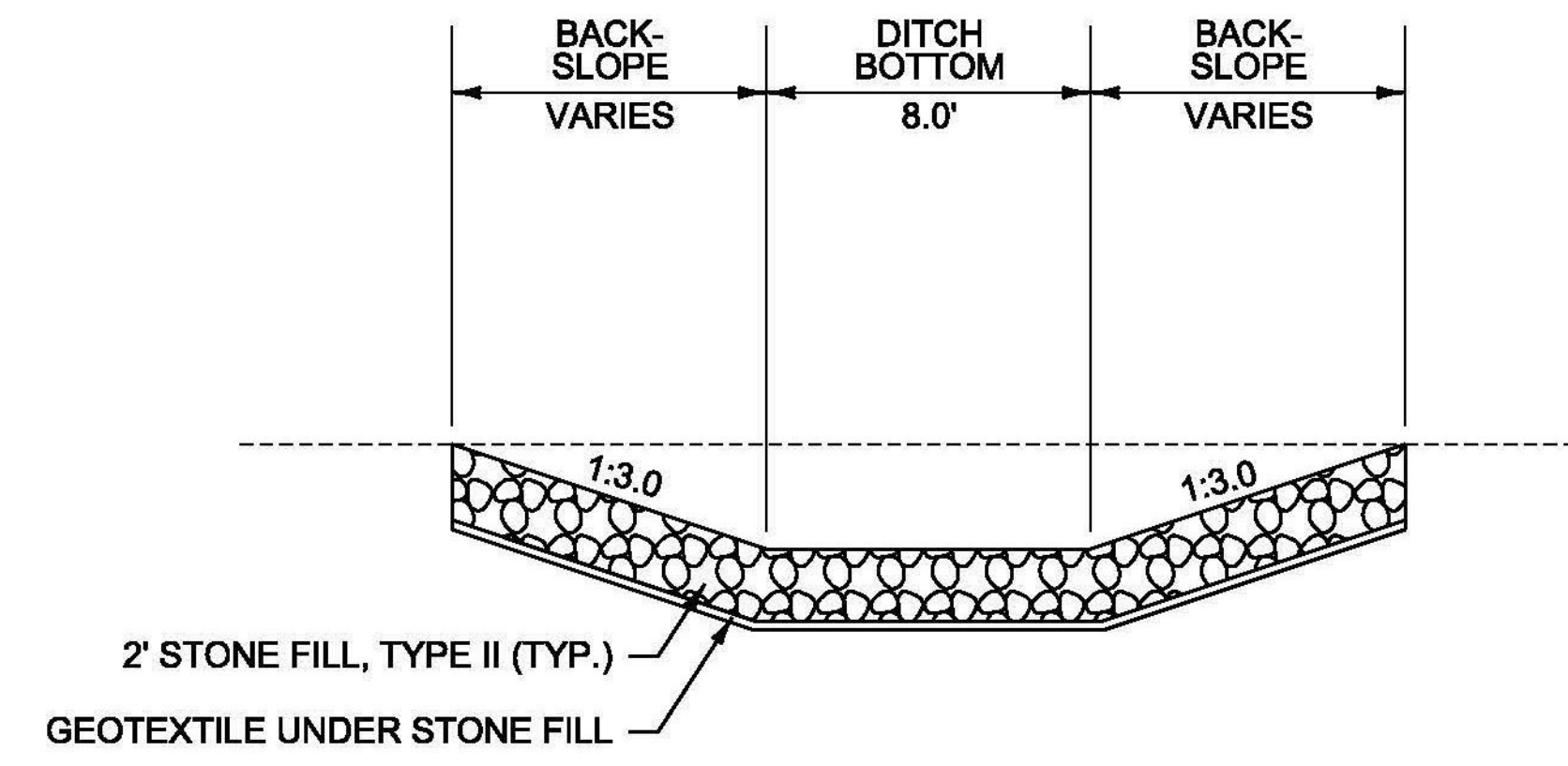
GRASS CHANNEL DETAIL

NOT TO SCALE



BERLIN STATE HIGHWAY MATERIAL TRANSITION END

NOT TO SCALE



STONE CHANNEL DETAIL

NOT TO SCALE

PROJECT NAME: BERLIN
 PROJECT NUMBER: STPG SGNL(40)

FILE NAME: typ02.dgn
 PROJECT LEADER: P. COBURN
 DESIGNED BY: T. SISSON
 TYPICAL SECTIONS SHEET 2

PLOT DATE: 10/20/2014
 DRAWN BY: T. SISSON
 CHECKED BY: M. LACROIX
 SHEET 14 OF 123