

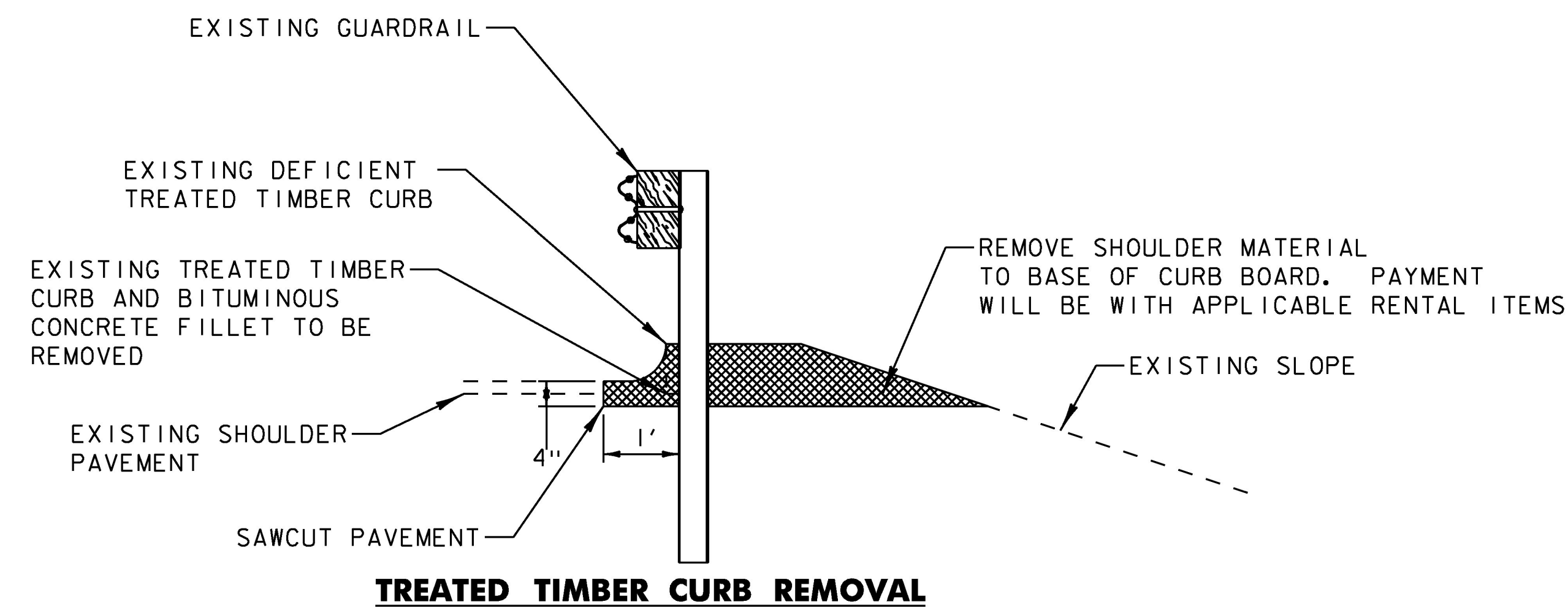
MINIMUM SIGN SIGHT DISTANCE CHART

APPROACH SPEED (mph)	SIGHT DISTANCE (feet)
30 OR LESS	300
35	350
40	400
45	450
50	500
55	550

THINNING AND TRIMMING FOR SIGNS ON CONVENTIONAL ROADS DETAIL

NOTE: THE CONTRACTOR SHALL REMOVE ALL WOODY STEMMED GROWTH INCLUDING BRUSH, SAPLINGS, TREE LIMBS GROWING WITHIN OR PROJECTING INTO THE CLEARANCE AREA AND DOWN TO GROUND LEVEL OR AT LEAST 10 FEET BELOW THE BOTTOM OF THE SIGN. PAYMENT PER ITEM 201.31 THINNING AND TRIMMING FOR SIGNS. NO CHEMICALS (POISONS OR DEFOLIANTS) ALLOWED.

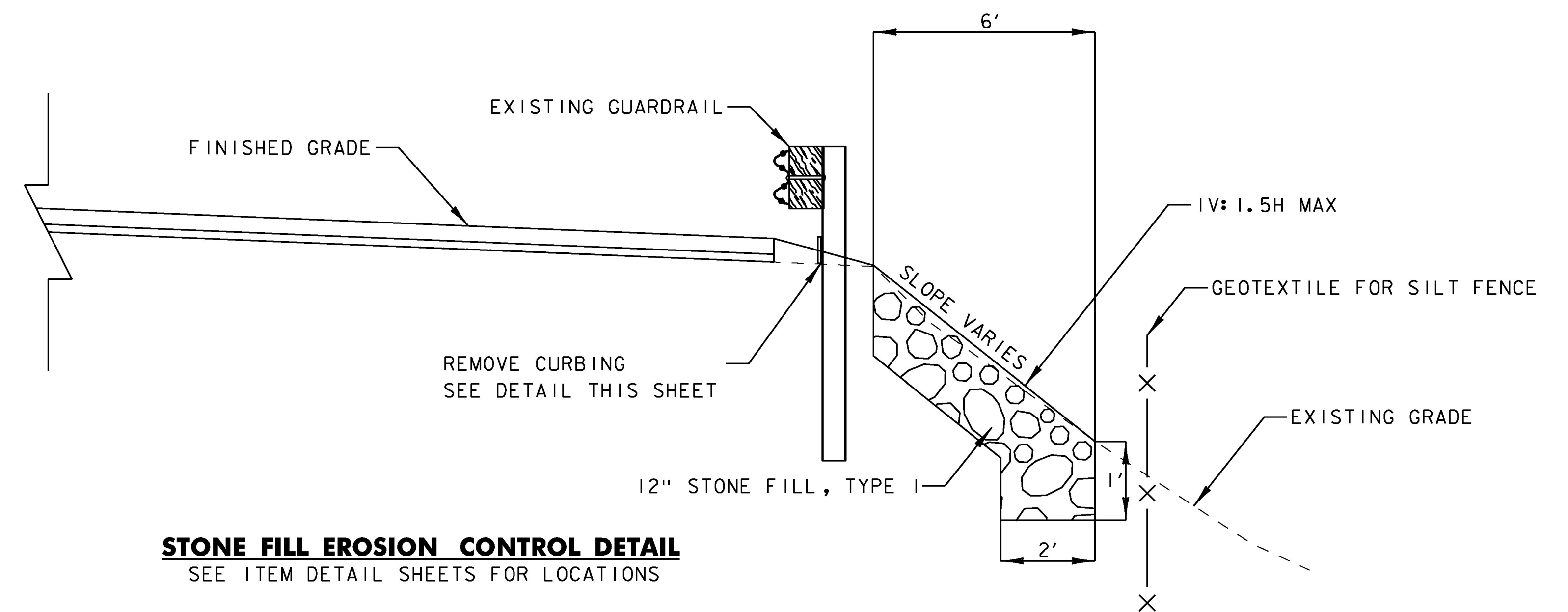
BROOKFIELD
 MM 1.085 LT
 MM 1.291 LT
 MM 2.829 RT
 MM 2.864 RT
 MM 3.024 RT
 MM 3.052 RT
 MM 3.085 LT
 MM 4.561 RT



TREATED TIMBER CURB REMOVAL

NOTE: THE REMOVAL OF TREATED TIMBER CURBING, INCLUDING THE BITUMINOUS CONCRETE FILLET, AND ANY SAWCUTTING, FROM INSTALLATIONS WHERE EXISTING GUARDRAIL IS REMOVED WILL NOT BE PAID FOR DIRECTLY, BUT WILL BE CONSIDERED INCIDENTAL TO ITEM 621.80 "REMOVAL AND DISPOSAL OF GUARDRAIL".

BROOKFIELD
 MM 3.206 - MM 3.283 LT
 MM 3.414 - MM 3.453 LT
 MM 3.430 - MM 3.667 RT
 MM 3.678 - MM 3.855 RT
 MM 4.379 - MM 4.473 RT
 MM 5.103 - MM 5.155 RT



STONE FILL EROSION CONTROL DETAIL
 SEE ITEM DETAIL SHEETS FOR LOCATIONS

NOTES:
 1. ANY EXCAVATION REQUIRED TO INSTALL STONE SHALL BE PAID FOR UNDER ITEM 608.25 "ALL PURPOSE EXCAVATOR RENTAL, TYPE 1".

NOT TO SCALE

PROJECT NAME: BROOKFIELD	PLOT DATE: 4/26/2016
PROJECT NUMBER: STP 2960(I)	DRAWN BY: O. DALMER
FILE NAME: z15v023+yp.dgn	CHECKED BY: C. LATHROP
PROJECT LEADER: C. LATHROP	SHEET 151 OF 202
DESIGNED BY: S. SOLLA	
DETAIL SHEET 3	