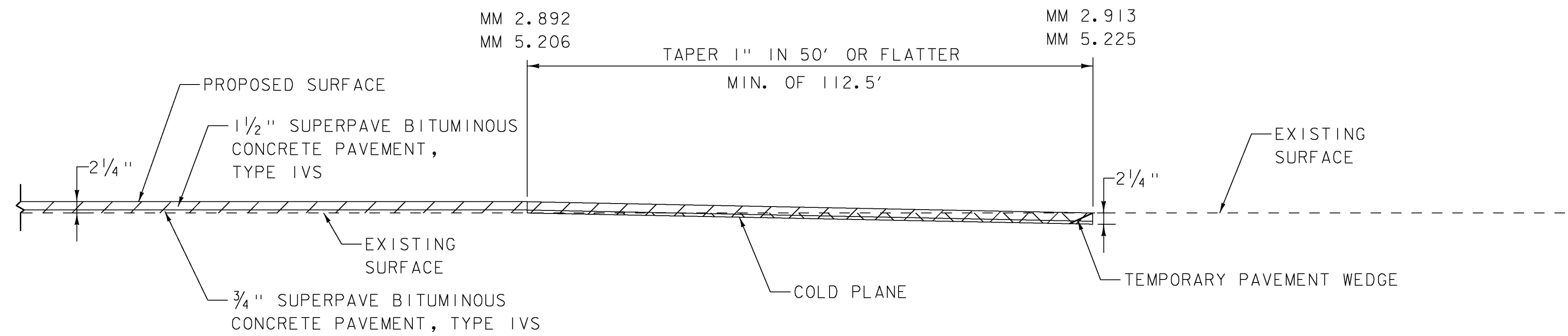
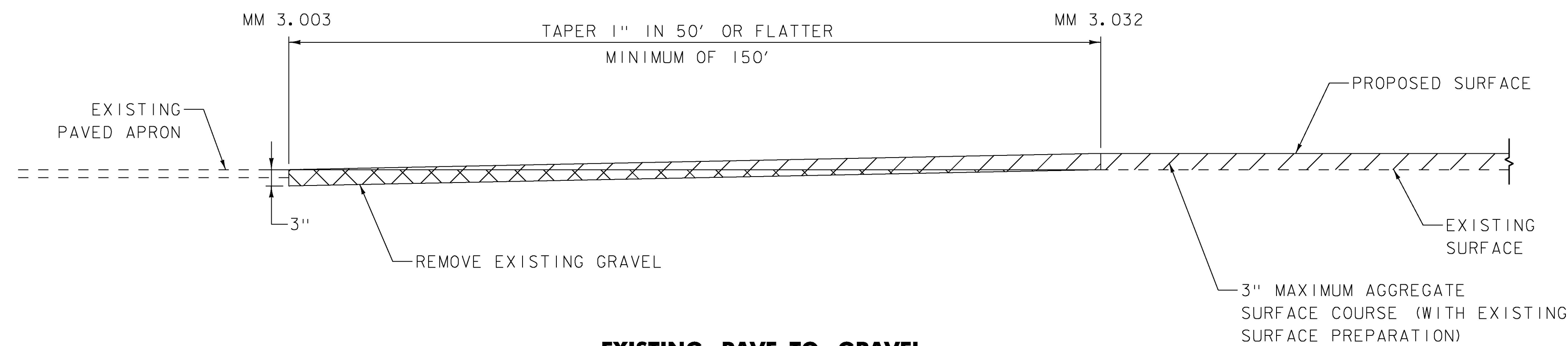


**COLD PLANE TO LEVEL OVERLAY
TRANSITION DETAIL**
MM 2.752 - MM 2.771



**LEVEL OVERLAY TO EXISTING PAVEMENT
TRANSITION DETAIL**
MM 2.892 - MM 2.913
MM 5.206 - MM 5.225 (END PROJECT)



**EXISTING PAVE TO GRAVEL
TRANSITION DETAIL**
MM 3.003 - MM 3.032

NOT TO SCALE

PROJECT NAME:	BROOKFIELD
PROJECT NUMBER:	STP 2960(I)
FILE NAME:	z15v023+yp.dgn
PROJECT LEADER:	C. LATHROP
DESIGNED BY:	S. SOLLA
PROJECT TYPICAL SHEET 3	
PLOT DATE:	4/26/2016
DRAWN BY:	O. DALMER
CHECKED BY:	C. LATHROP
SHEET	148 OF 202