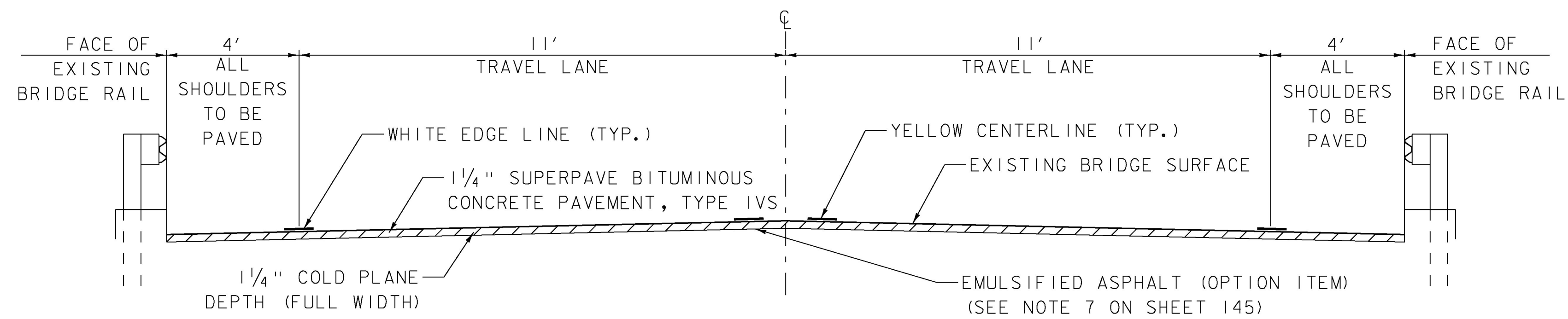
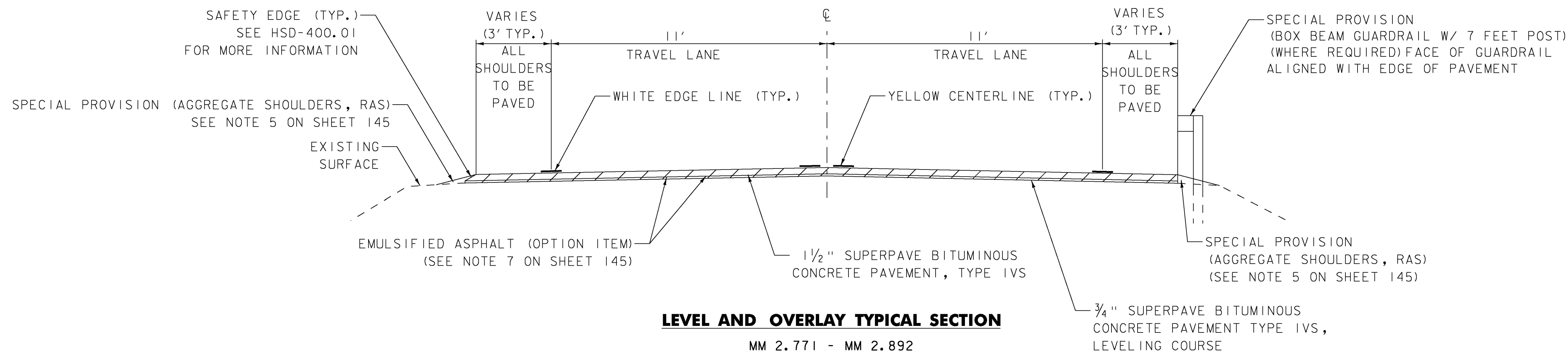


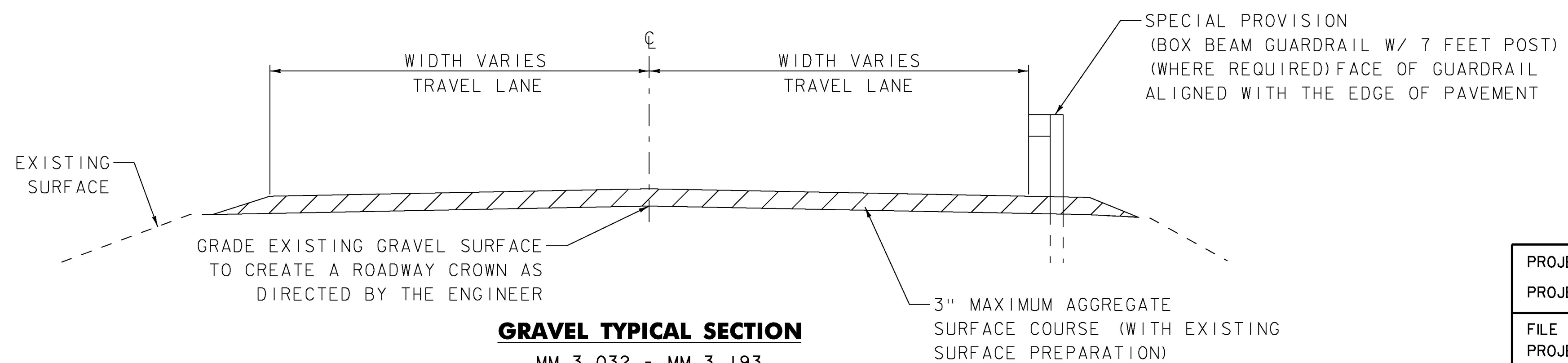
GRAVEL TYPICAL SECTION
MM 0.031 - MM 2.660



COLD PLANE AND RESURFACE TYPICAL SECTION - BRIDGE
MM 2.689 - MM 2.752



LEVEL AND OVERLAY TYPICAL SECTION
MM 2.771 - MM 2.892
MM 3.200 - MM 5.206



GRAVEL TYPICAL SECTION
MM 3.032 - MM 3.193

NOT TO SCALE

PROJECT NAME:	BROOKFIELD	PLOT DATE:	4/26/2016
PROJECT NUMBER:	STP 2960(I)	DRAWN BY:	O. DALMER
FILE NAME:	z15v023+yp.dgn	DESIGNED BY:	S. SOLLA
PROJECT LEADER:	C. LATHROP	CHECKED BY:	C. LATHROP
PROJECT TYPICAL SHEET 1		SHEET	146 OF 202