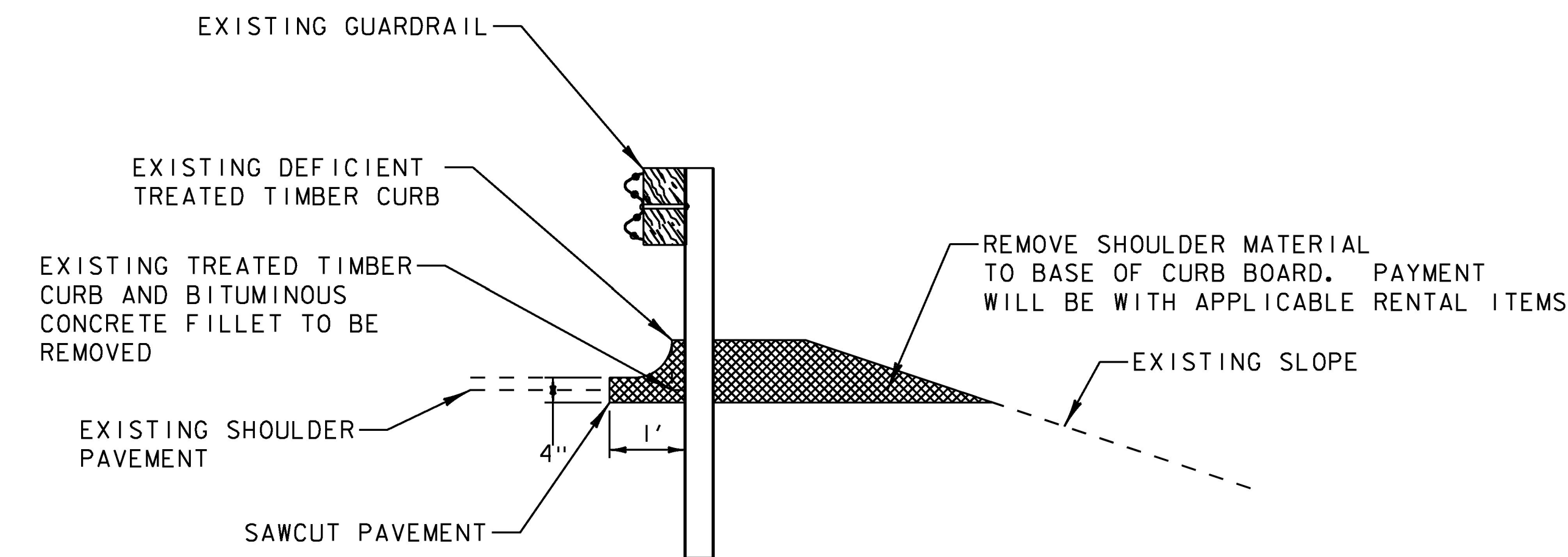


**THINNING & TRIMMING LIMITS FOR SIGNS ON CONVENTIONAL ROADS DETAIL**

THE CONTRACTOR SHALL REMOVE ALL WOODY STEMMED GROWTH INCLUDING BRUSH, SAPLINGS, TREE LIMBS GROWING WITHIN OR PROJECTING INTO THE CLEARANCE AREA AND DOWN TO GROUND LEVEL OR AT LEAST 10 FEET BELOW THE BOTTOM OF THE SIGN. PAYMENT PER ITEM 201.31 THINNING AND TRIMMING FOR SIGNS. NO CHEMICALS (POISONS OR DEFOLIANTS) ALLOWED.

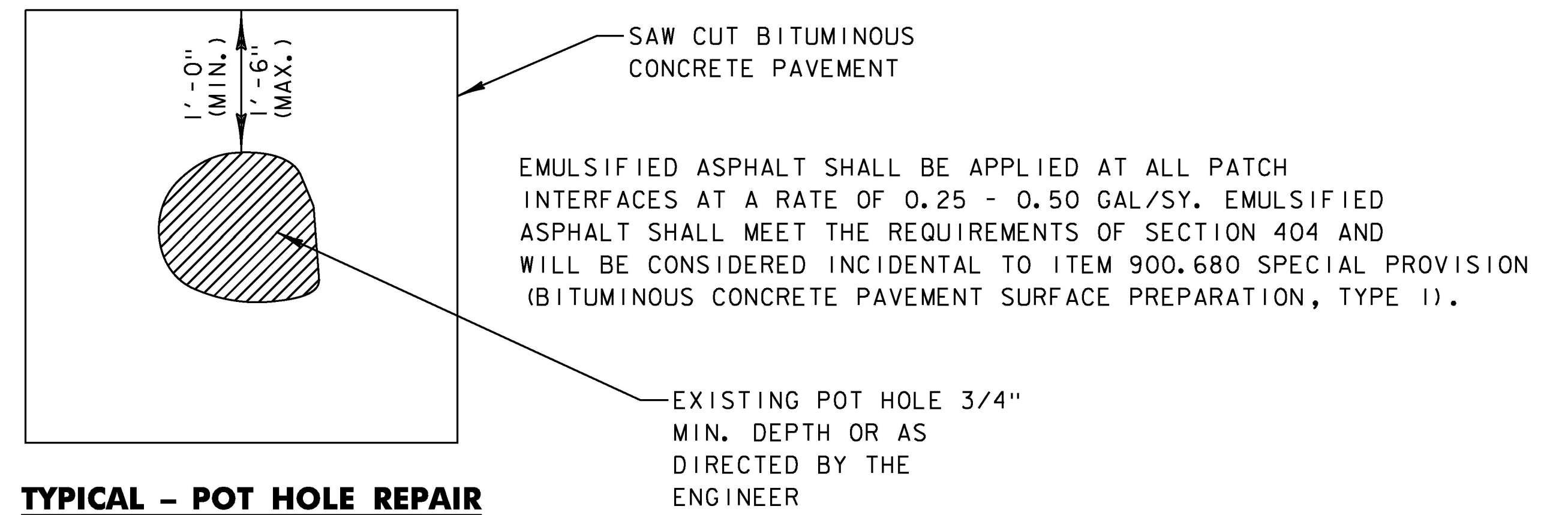
| WILLIAMSTOWN |    | MINIMUM SIGN SIGHT DISTANCE CHART |                       |
|--------------|----|-----------------------------------|-----------------------|
| MM W         | LT | APPROACH SPEED (mph)              | SIGHT DISTANCE (feet) |
| MM W 0.913   | LT | 30 OR LESS                        | 300                   |
| MM W 2.642   | RT | 35                                | 350                   |
| MM W 3.017   | RT | 40                                | 400                   |
| MM W 3.230   | RT | 45                                | 450                   |
| MM W 3.473   | RT | 50                                | 500                   |
| MM W 3.943   | RT | 55                                | 550                   |
| MM W 3.977   | RT |                                   |                       |
| MM W 4.075   | LT |                                   |                       |



**TREATED TIMBER CURB REMOVAL**

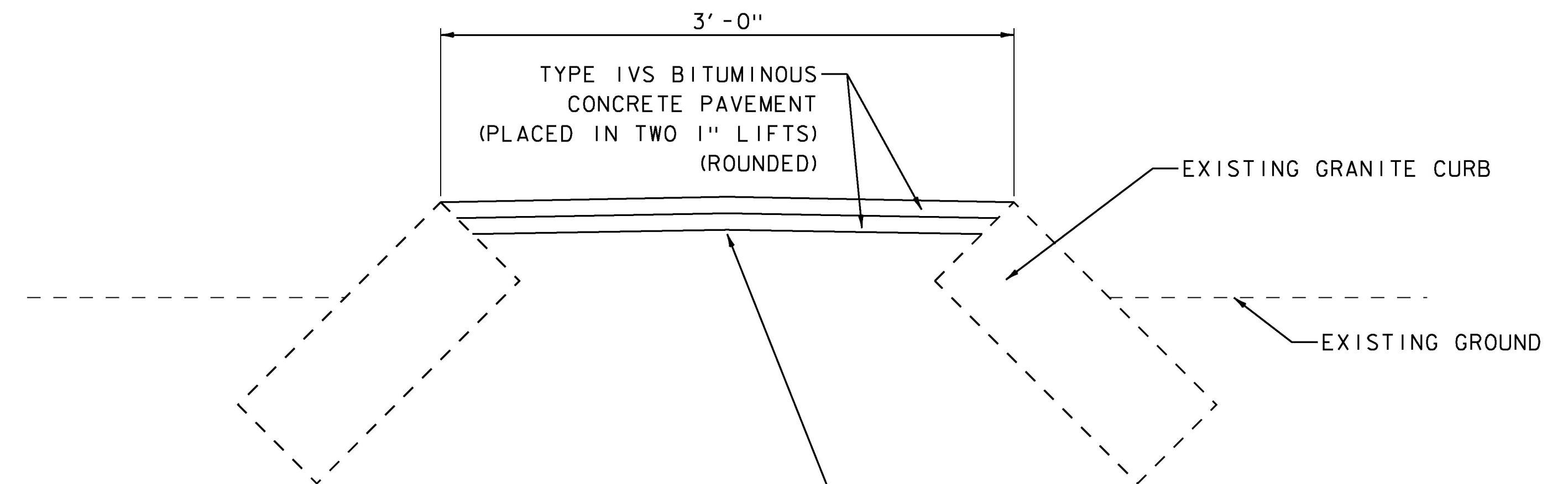
NOTE: THE REMOVAL OF TREATED TIMBER CURBING, INCLUDING THE BITUMINOUS CONCRETE FILLET, AND ANY SAWCUTTING, FROM INSTALLATIONS WHERE EXISTING GUARDRAIL IS REMOVED WILL NOT BE PAID FOR DIRECTLY, BUT WILL BE CONSIDERED INCIDENTAL TO ITEM 621.80 "REMOVAL AND DISPOSAL OF EXISTING GUARDRAIL".

| NORTHFIELD |             |
|------------|-------------|
| MM 0.964   | MM 1.067 RT |
| MM 1.315   | MM 1.375 RT |
| MM 2.151   | MM 2.180 LT |



**TYPICAL - POT HOLE REPAIR**

NOTE: POT HOLE REPAIR WILL BE PAID UNDER ITEM 900.680 SPECIAL PROVISION (BITUMINOUS CONCRETE PAVEMENT SURFACE PREPARATION, TYPE I)

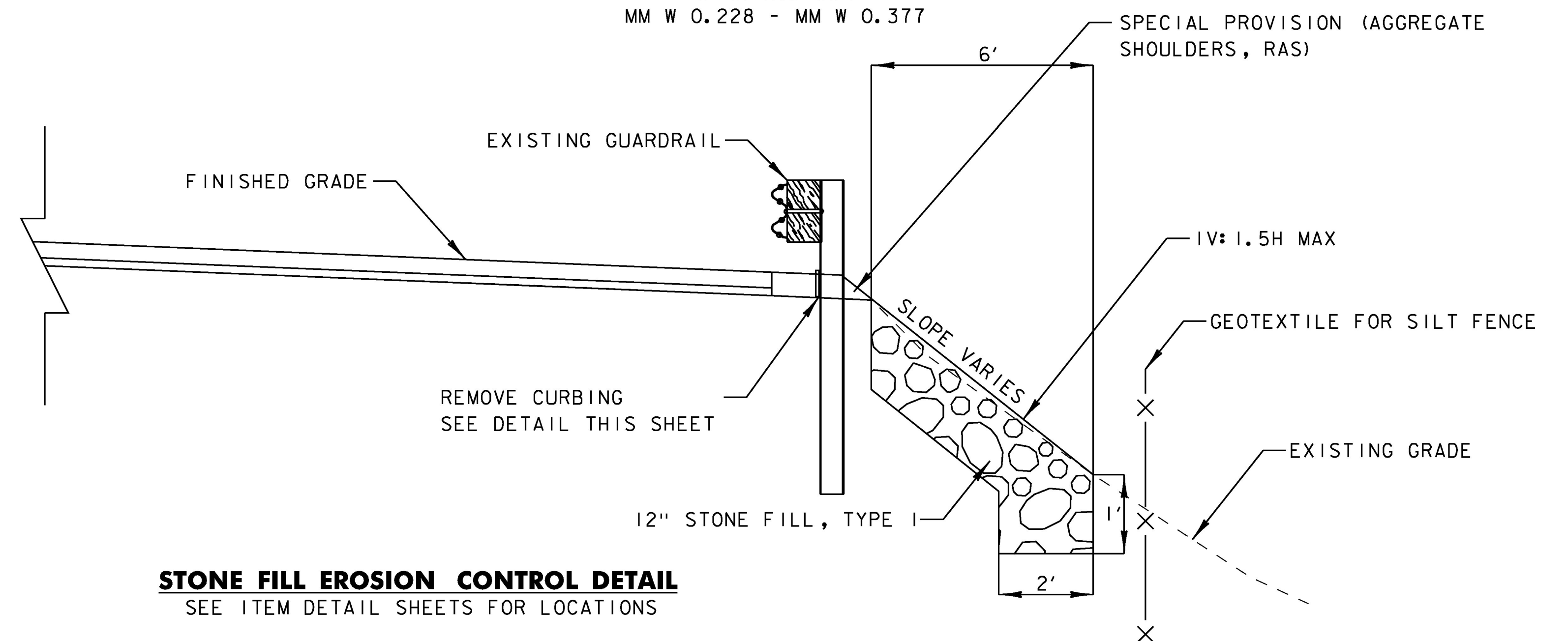


**NOTES:**

1. ALL WORK ASSOCIATED WITH REMOVAL OF EXISTING MATERIAL, GRADING AND PLACING NEW TYPE IVS BITUMINOUS CONCRETE PAVEMENT SHALL BE PAID UNDER ITEM 616.47 "BITUMINOUS CONCRETE GUTTERS AND TRAFFIC ISLANDS".

**TRAFFIC ISLAND DETAIL**

WILLIAMSTOWN  
MM W 0.228 - MM W 0.377



**STONE FILL EROSION CONTROL DETAIL**

SEE ITEM DETAIL SHEETS FOR LOCATIONS

**NOTES:**

1. ANY EXCAVATION REQUIRED TO INSTALL STONE SHALL BE PAID FOR UNDER ITEM 608.25 "ALL PURPOSE EXCAVATOR RENTAL, TYPE 1".

NOT TO SCALE

|   |                        |
|---|------------------------|
| PROJECT NAME: NORTHFIELD - WILLIAMSTOWN |                        |
| PROJECT NUMBER: STP 2959(I)             |                        |
| FILE NAME: z15v022typ.dgn               | PLOT DATE: 4/26/2016   |
| PROJECT LEADER: C. LATHROP              | DRAWN BY: O. DALMER    |
| DESIGNED BY: J. GOODALL                 | CHECKED BY: C. LATHROP |
| DETAIL SHEET 5                          | SHEET 81 OF 202        |