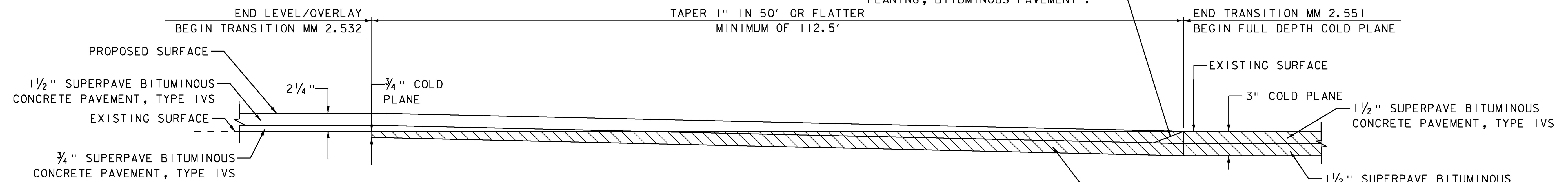


TRANSITION AREA DETAIL - EXISTING PAVEMENT TO LEVEL / OVERLAY

NORTHFIELD
MM 0.004 - MM 0.025

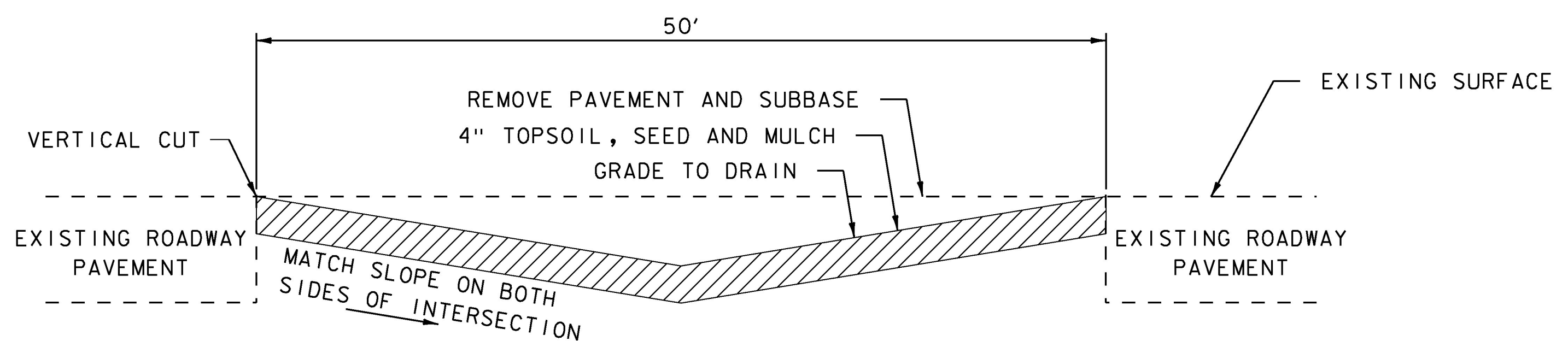
TEMPORARY PAVEMENT WEDGE
AS DIRECTED BY THE ENGINEER.
TEMPORARY PAVEMENT WEDGE WILL
BE CONSIDERED INCIDENTAL TO
CONTRACT ITEM 210.10 " COLD
PLANING, BITUMINOUS PAVEMENT".

TEMPORARY PAVEMENT WEDGE
AS DIRECTED BY THE ENGINEER.
TEMPORARY PAVEMENT WEDGE WILL
BE CONSIDERED INCIDENTAL TO
CONTRACT ITEM 210.10 " COLD
PLANING, BITUMINOUS PAVEMENT".



TRANSITION AREA DETAIL - LEVEL / OVERLAY TO COLD PLANE

NORTHFIELD
MM 2.532 - MM 2.551



REMOVAL OF APRON AT ROBINSON RD

NORTHFIELD
MM 2.450 RT

- NOTE:
- THE FIRST 4" OF EXCAVATION AND GRADING ASSOCIATED WITH PERFORMING THIS WORK WILL BE PAID UNDER ITEM 203.28 "EXCAVATION OF SURFACES AND PAVEMENTS". ALL ADDITIONAL EXCAVATION WILL BE PAID UNDER THE APPLICABLE RENTAL ITEMS.

PROJECT NAME: NORTHFIELD - WILLIAMSTOWN	
PROJECT NUMBER: STP 2959(I)	
FILE NAME: z15v022typ.dgn	PLOT DATE: 4/26/2016
PROJECT LEADER: C. LATHROP	DRAWN BY: O. DALMER
DESIGNED BY: J. GOODALL	CHECKED BY: C. LATHROP
DETAIL SHEET 1	SHEET 77 OF 202

NOT TO SCALE