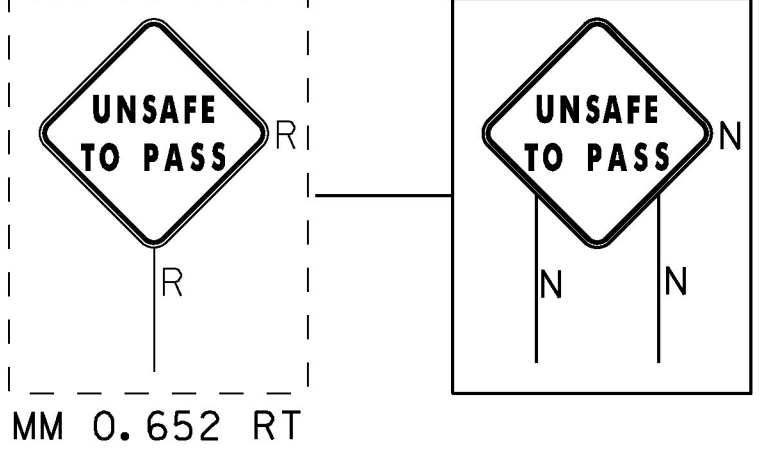
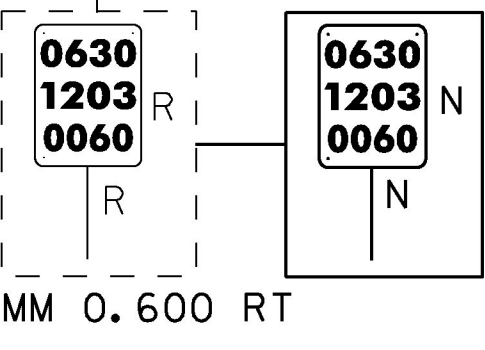
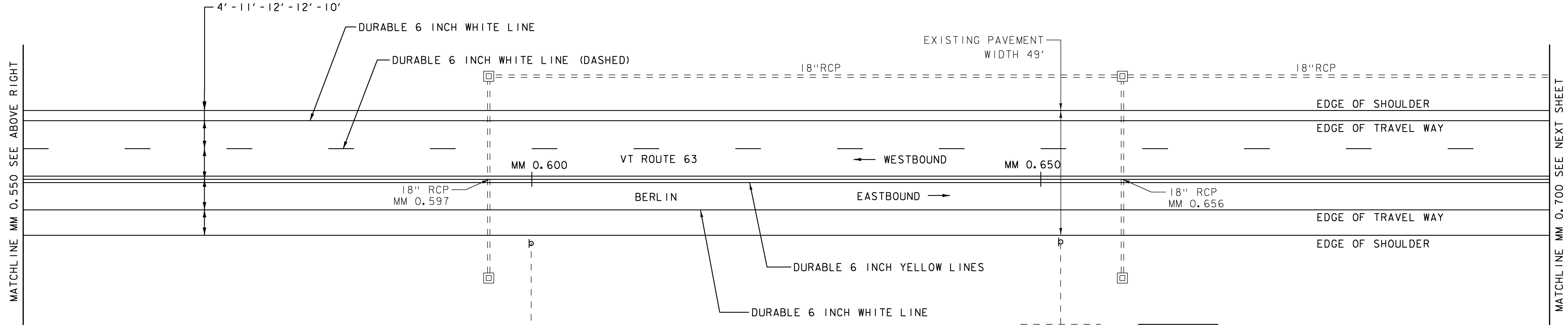
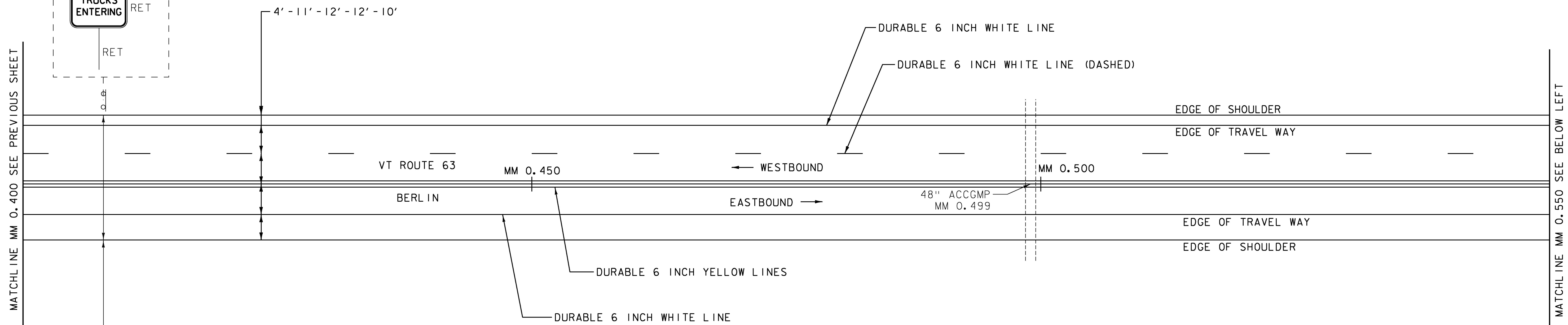


MILLED RUMBLE STRIPS (CENTERLINE)  
MM 0.400 - MM 0.700 CENTERLINE

DURABLE 6 INCH WHITE LINE (SEE OPTION ITEMS) &  
TEMPORARY 6 INCH WHITE LINE, PAINT  
MM 0.400 - MM 0.700 (SOLID LT & RT EDGE LINE)  
MM 0.400 - MM 0.700 (DASHED LT LANE LINE)

DURABLE 6 INCH YELLOW LINE (SEE OPTION ITEMS) &  
TEMPORARY 6 INCH YELLOW LINE, PAINT  
MM 0.400 - MM 0.700 (SOLID LT & RT)

REMOVING SIGNS (TYPE A)  
AS SHOWN - 2



**SIGN LEGEND**  
R = REMOVE  
R&S = REMOVE AND SALVAGE  
RET = RETAIN  
S = SALVAGE  
N = NEW  
B-B = BACK TO BACK  
- - = EXISTING  
— = NEW

NOT TO SCALE

PROJECT NAME: BERLIN-BARRE TOWN	
PROJECT NUMBER: STP 2943(I)	
FILE NAME: z11b338bdr.dgn	PLOT DATE: 4/26/2016
PROJECT LEADER: C. LATHROP	DRAWN BY: O. DALMER
DESIGNED BY: S. SOLLA	CHECKED BY: C. LATHROP
PLAN SHEET 4	SHEET 32 OF 202