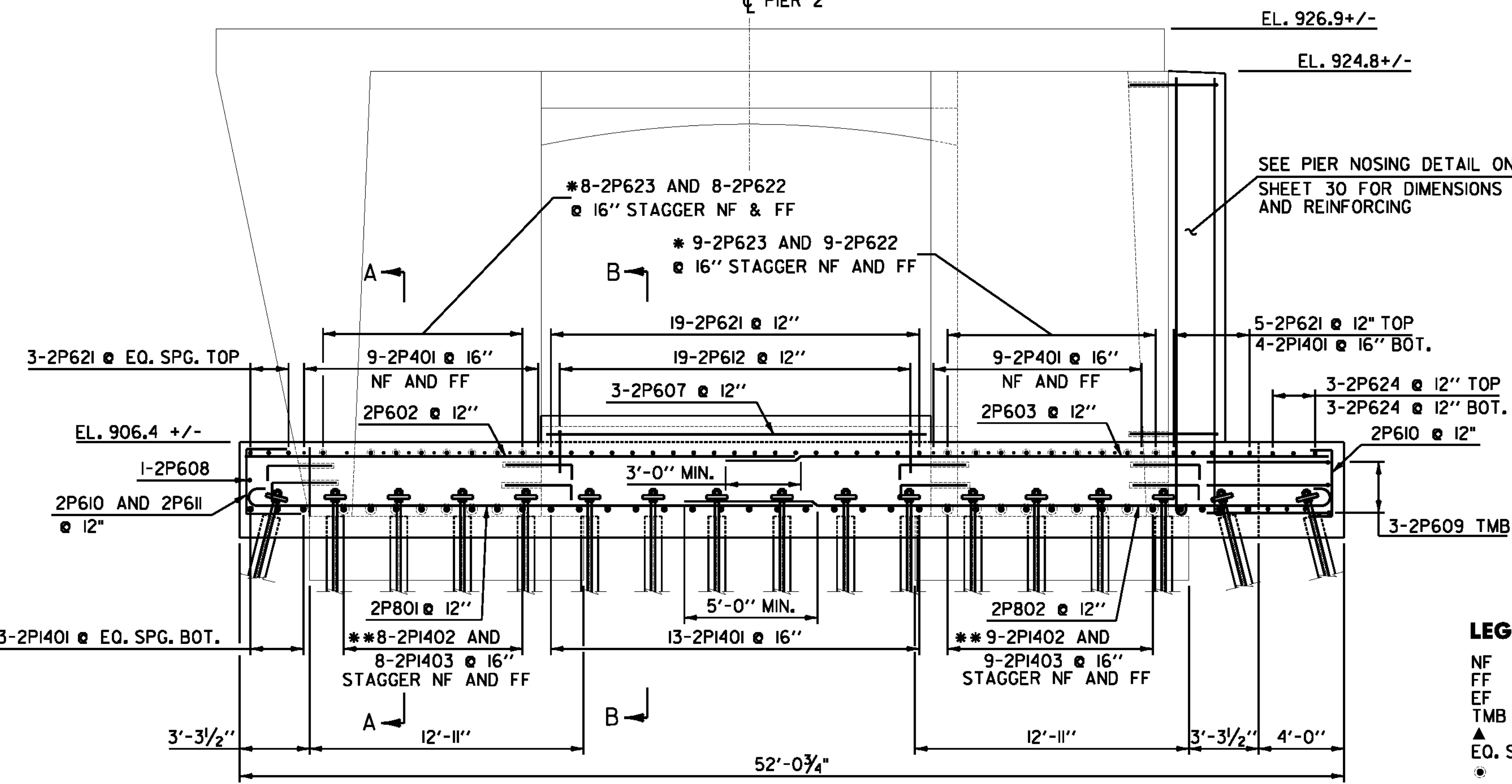


PIER #2 FOOTING PLAN
SCALE: 1/4" = 1'-0"

NOTE: LAPS FOR 2P622 AND 2P623 BARS SHOWN IN PLAN. MECHANICAL BAR CONNECTORS FOR 2P1402 AND 2P1403 BARS NOT SHOWN FOR CLARITY.

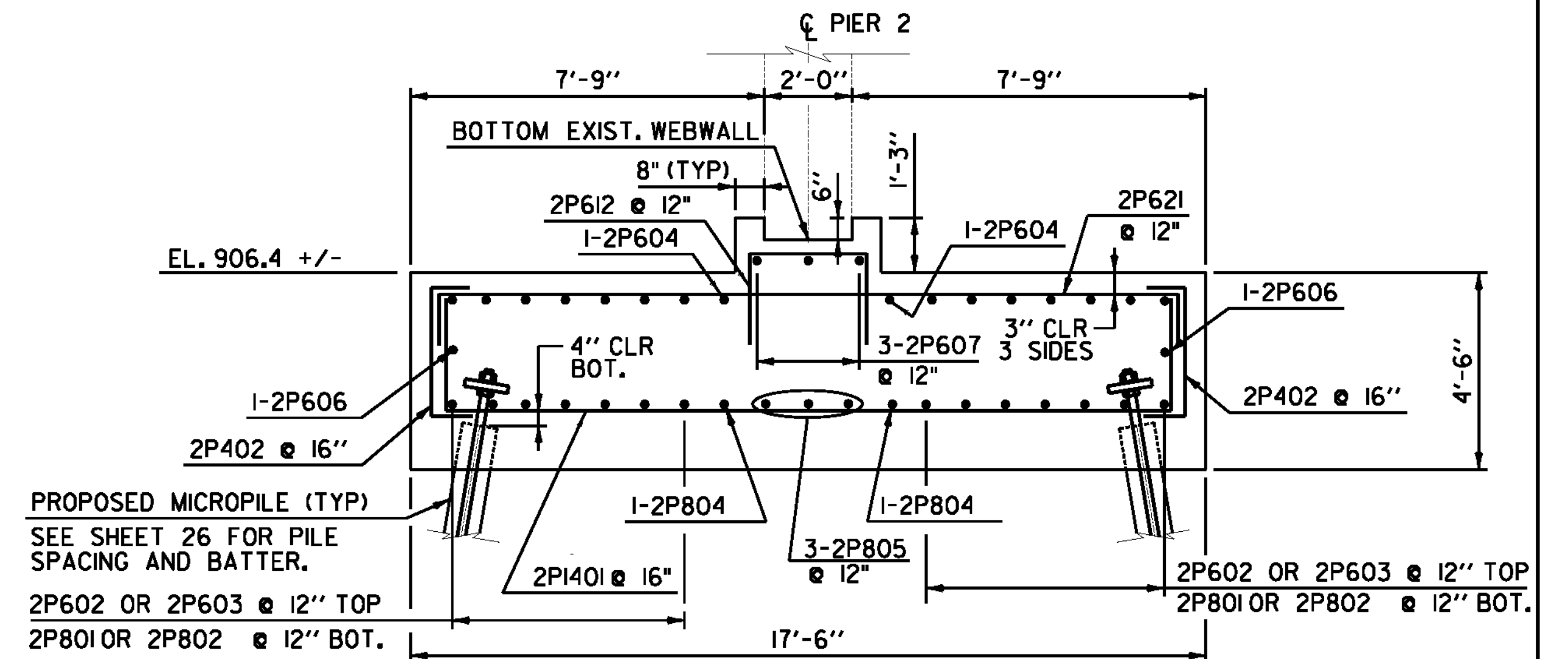


PIER #2 ELEVATION
SCALE: 1/4" = 1'-0"

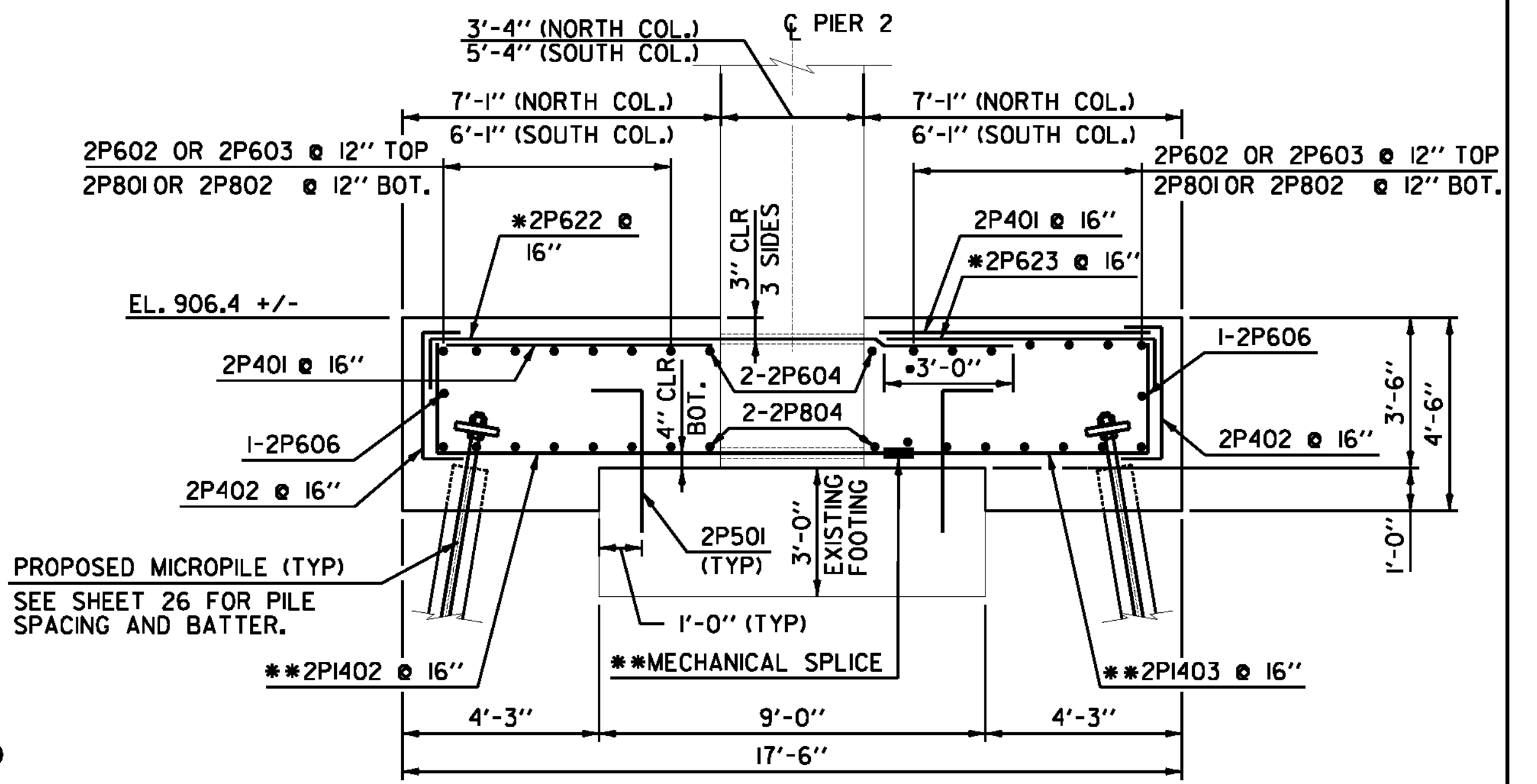
NOTE: 2P501, 2P605, 2P803, AND 2P805 BARS NOT SHOWN FOR CLARITY.

NOTES:

- * LAP 2P622 BARS WITH 2P623 BARS. STAGGER LAPS ON EACH SIDE OF THE PIER.
CONTRACTOR'S OPTION - MECHANICAL BAR CONNECTORS MAY BE SUBSTITUTED FOR LAP SPLICES WITH NO ADDITIONAL PAYMENT.
- ** BARS 2P1402 AND 2P1403 SHALL BE SPLICED USING MECHANICAL BAR CONNECTORS WHICH CONFORM TO THE REQUIREMENTS OF SUBSECTION 713.02. STAGGER THE MECHANICAL SPLICES ON EACH SIDE OF THE PIER.
- ADJUST BAR SPACING FOR 2P621, 2P622, 2P623, 2P1401, 2P1402, AND 2P1403 SLIGHTLY TO AVOID CONFLICTS WITH THE EXISTING COLUMN REINFORCEMENT. MAXIMUM BAR SPACING IS 16". SEE SHEET 29 FOR ADDITIONAL SPACING DETAILS.
- ALL ELEVATIONS ARE APPROXIMATE. THE CONTRACTOR SHALL FIELD VERIFY ALL DIMENSIONS AND ELEVATIONS PRIOR TO FABRICATING STEEL REINFORCING.



PIER SECTION B-B
SCALE: 3/8" = 1'-0"



PIER SECTION A-A
SCALE: 3/8" = 1'-0"

- LEGEND**
- NF = NEAR FACE
 - FF = FAR FACE
 - EF = EACH FACE
 - TMB = TOP, MIDDLE, BOTTOM
 - CUT TO FIT IN FIELD
 - EQ. SPG. = EQUAL SPACING
 - = CORED REINFORCING BAR

PIER 2 RETROFIT DETAILS SHEET

PROJECT NAME: BENNINGTON	PLOT DATE: 8/21/2012
PROJECT NUMBER: ER BHF 010-1(45)	DRAWN BY: M.E.D.
FILE NAME: z1lb326_pier2.dgn	CHECKED BY: A.M.P.
PROJECT LEADER: D.E.G.	SHEET 28 OF 40
DESIGNED BY: K.J.K.	
DWG. NO.: z1lb326pier2.1	



FILE NAME: V:\Projects\BENNINGTON\23770\CADD\MSTN\z1lb326_pier2.dgn
DATE/TIME: 8/21/2012 10:46:46 AM
USER: d4866