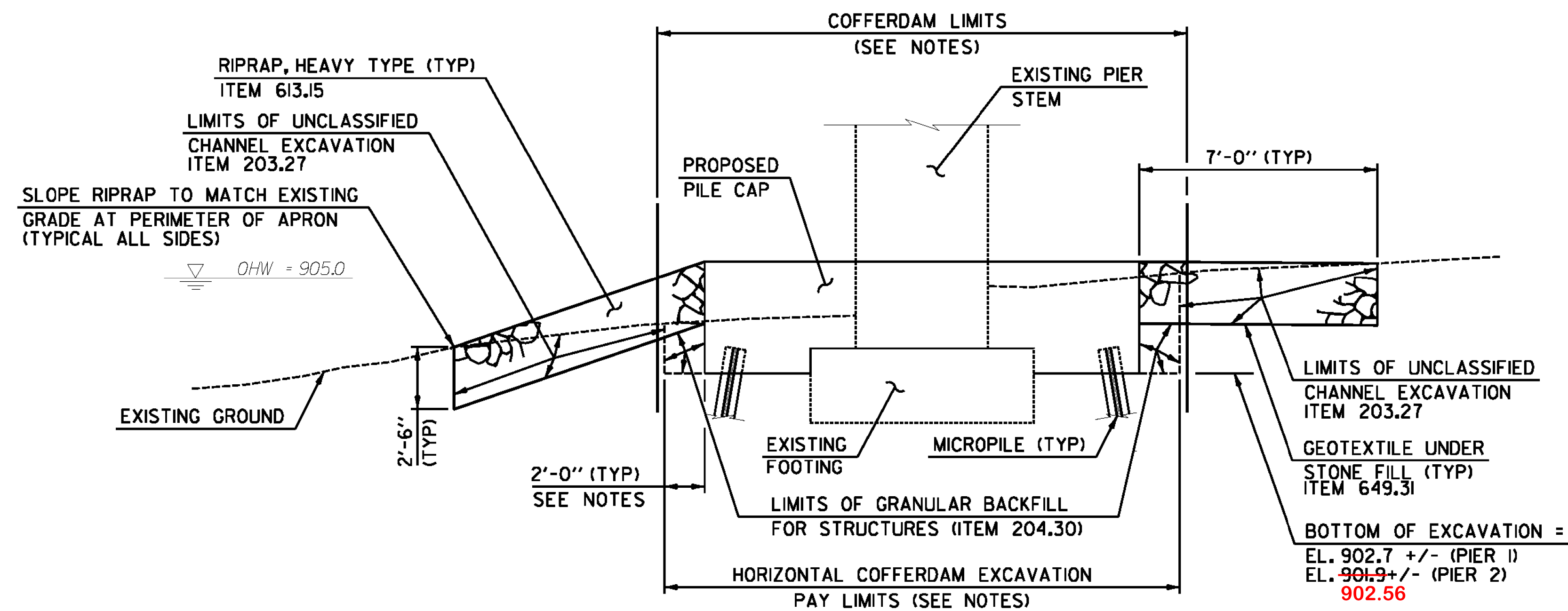


NOTES

1. COFFERDAM SIZE TO BE DETERMINED BY THE CONTRACTOR.
2. THE PAY LIMITS OF "COFFERDAM EXCAVATION, EARTH" AND "COFFERDAM EXCAVATION, ROCK" SHALL BE 2'-0" OUTSIDE THE PERIMETER OF THE FOOTING UP TO THE EXISTING GROUND AND DOWN TO THE ELEVATIONS SHOWN ON THIS SHEET.
3. IF A COFFERDAM IS CONSTRUCTED WHICH IS LARGER THAN THE INDICATED COFFERDAM EXCAVATION PAY LIMITS, PAYMENT FOR ALL UNCLASSIFIED CHANNEL EXCAVATION, INCLUDING THAT PORTION WHICH IS INSIDE THE COFFERDAM BUT OUTSIDE THE COFFERDAM EXCAVATION PAY LIMITS, SHALL BE MADE AT THE CONTRACT UNIT PRICE FOR UNCLASSIFIED CHANNEL EXCAVATION.



TYPICAL PIER SECTION

NOT TO SCALE

**TYPICAL
SECTION
SHEET**

PROJECT NAME: BENNINGTON
PROJECT NUMBER: ER BHF 010-I(45)

FILE NAME: z11b326.typ.dgn
PROJECT LEADER: D.E.G.
DESIGNED BY: K.J.K.
DWG. NO.: z11b326+yp.1

PLOT DATE: 9/6/2012
DRAWN BY: M.E.D.
CHECKED BY: D.E.G.
SHEET 3 OF 40

CHA