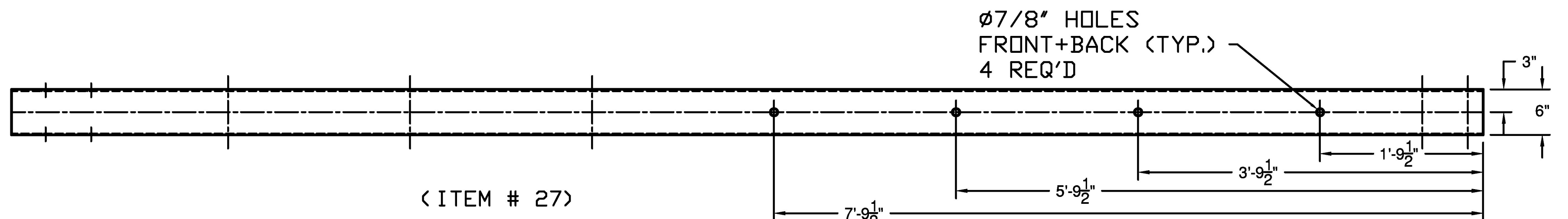
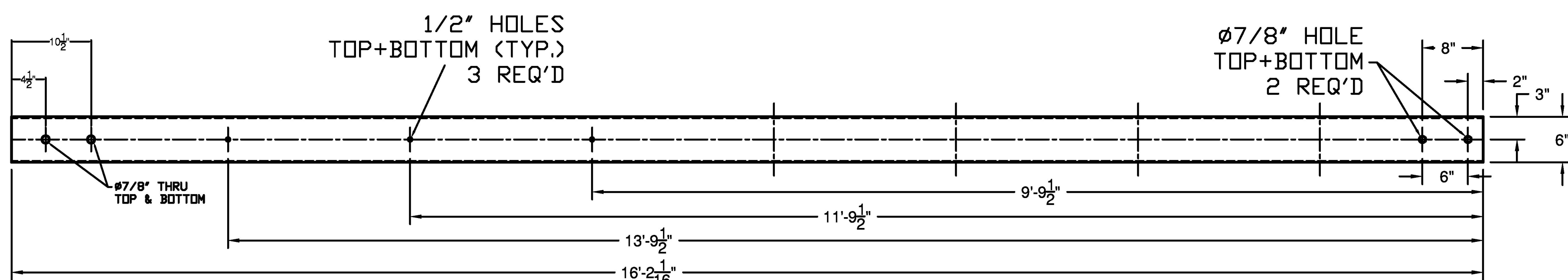
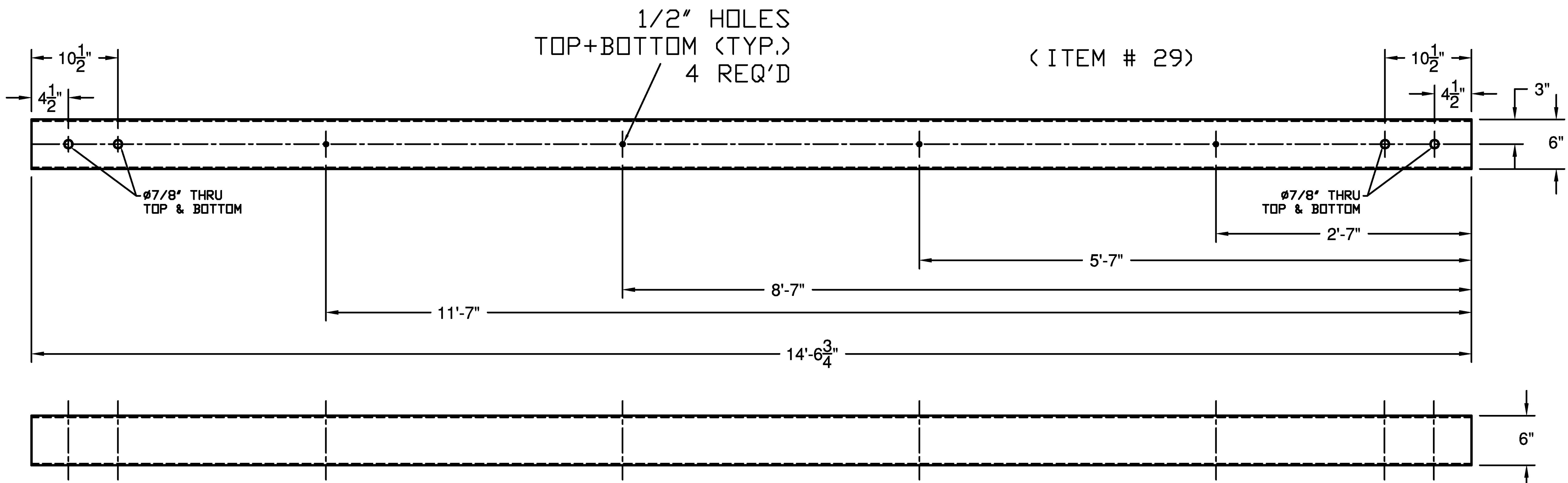
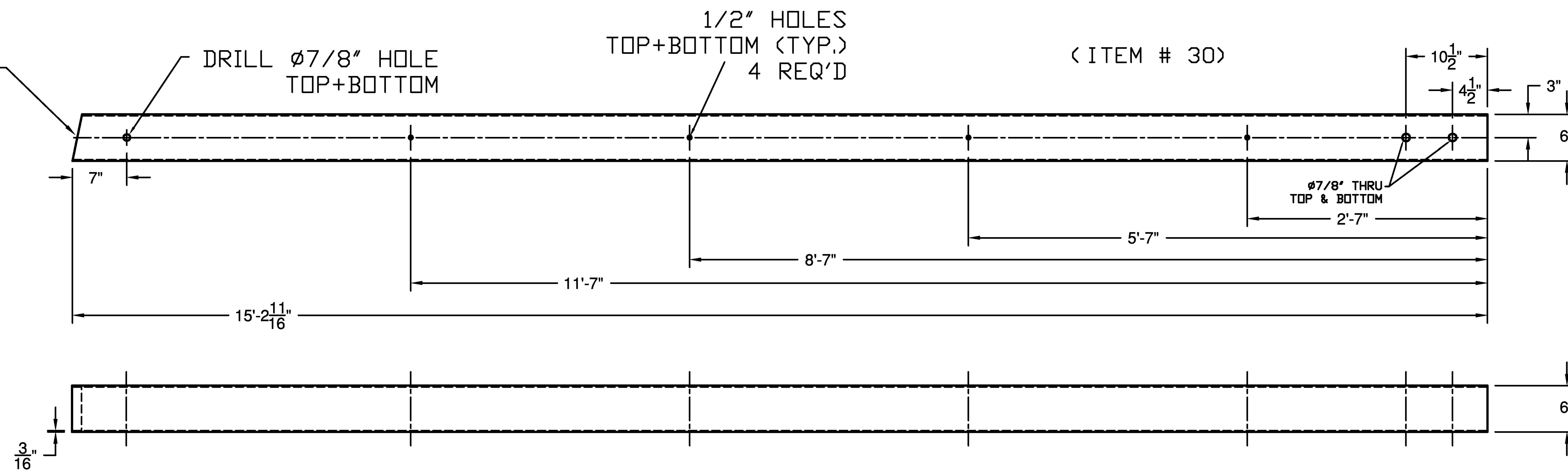


MITER CUT FOR  
8'-10" KICKBACKS  
@ 12-1/2°



ITEM #: 900.620 (TRANSITION) FR Lafayette - JAMAICA, EM13-016 SHEET 8 OF 8

APPROVED BY: **RECEIVED** Vermont Agency of Transportation  
 CK'D BY RK/JG/GL OK'D BY JS  
 July 25, 2013  
 RESUBMIT NO Approved  
 BY KH DATE 8-8-2013

**BRIDGE RAIL DETAILS SHEET**  
 EM13-006, JAMAICA ER BR 015-1 (23)  
 TOWN OF JAMAICA, WINDHAM COUNTY, VT RTE 30 (MINOR ARTERIAL), BRIDGE NO : 30

R NO.	DATE	DESCRIPTION	BY	R NO.	DATE	DESCRIPTION	BY
E 1	7/8/13	REVISED PER 6/28/13 MARK UP	E.P.	E			
V 2	7/25/13	REVISE PER 7/23/13 EMAIL	E.P.	V			

**ELDERLEE, INC.**  
 OAKS CORNERS, NEW YORK 14518  
 E-Mail: dlong@elderlee.com  
 Tel: 315-789-6670 Fax: 315-789-6615

DRAWN	E.P.	5/30/13
CHECKED	D.L.	5/31/13
APPROVED		
SCALE	SCHEMATIC	
DRAWING NO. FR LAFAYETTE - JAMAICA		