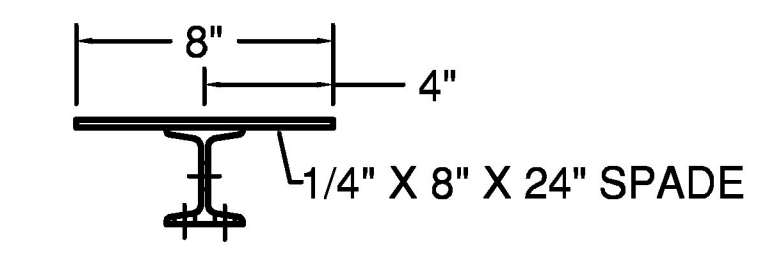
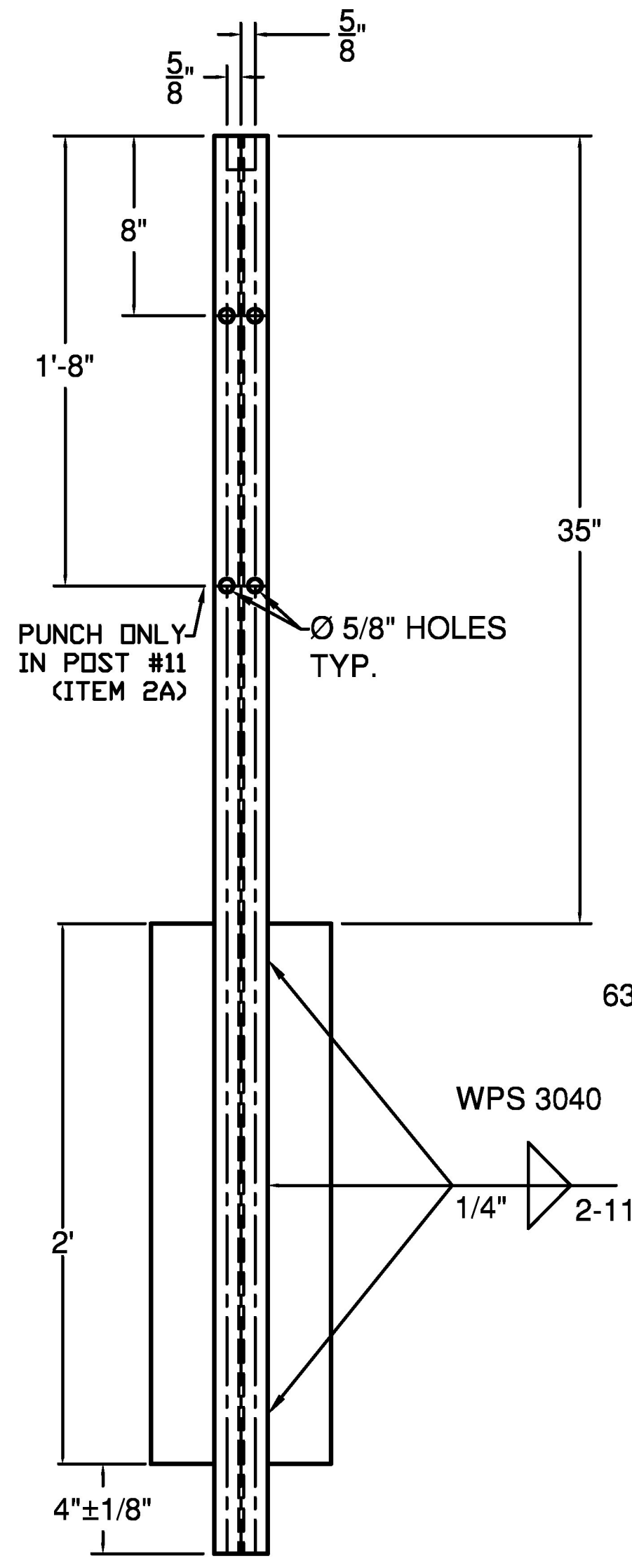


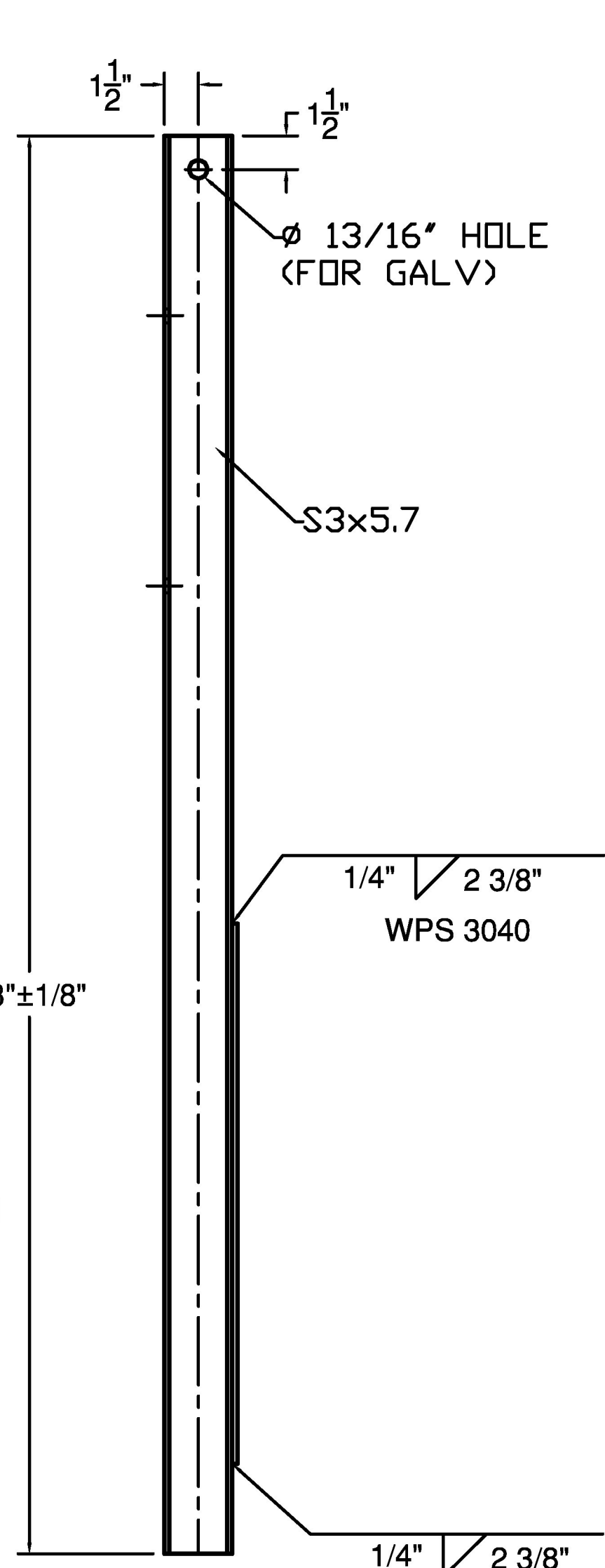
PLAN VIEW



(ITEM # 2)

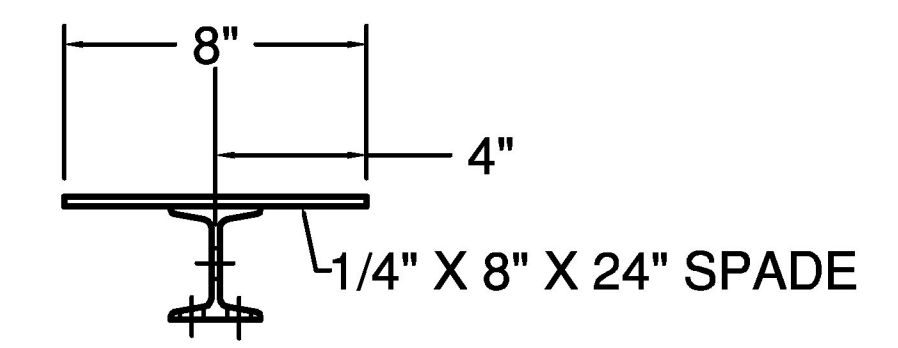


FRONT

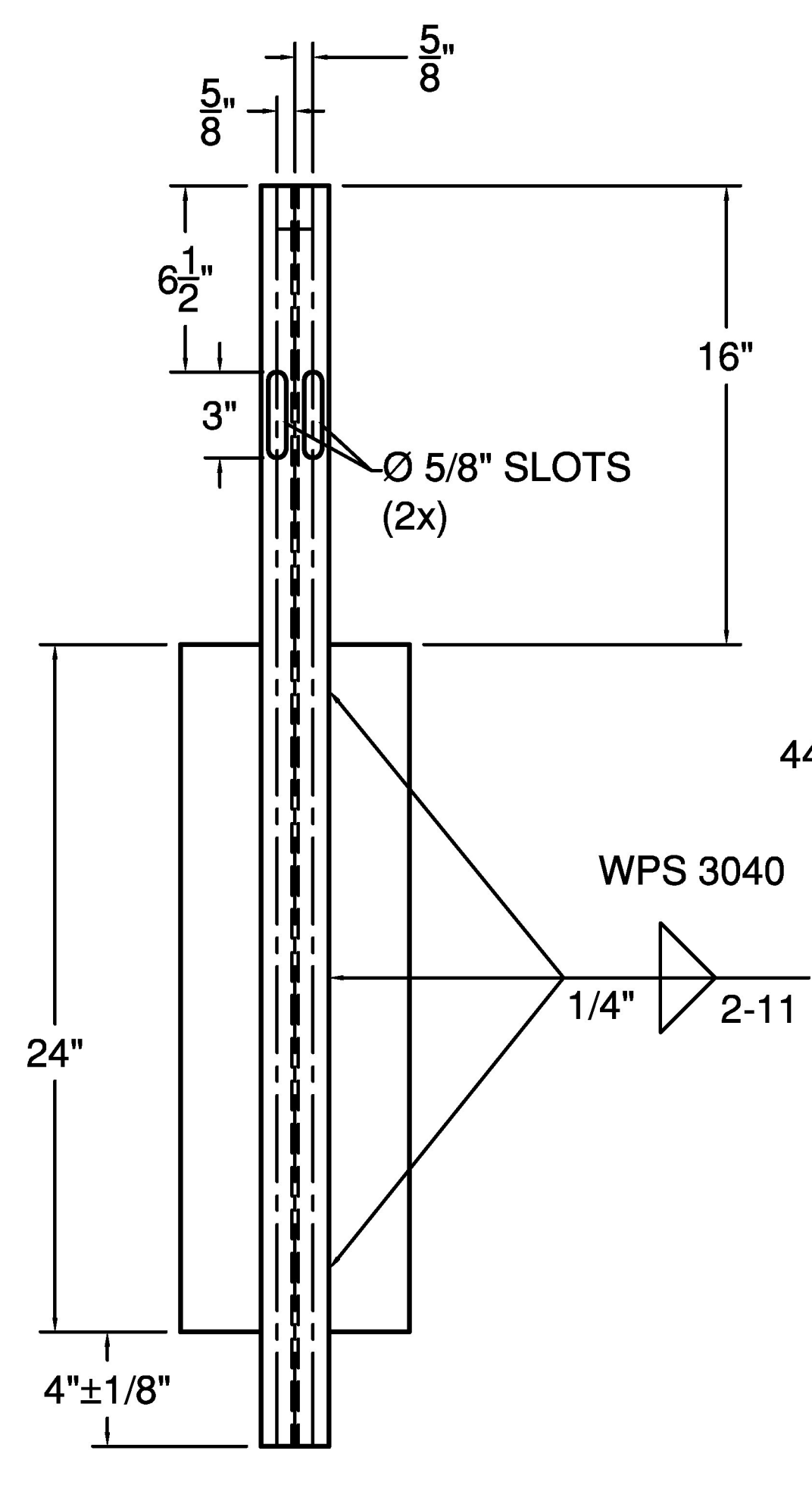


SIDE

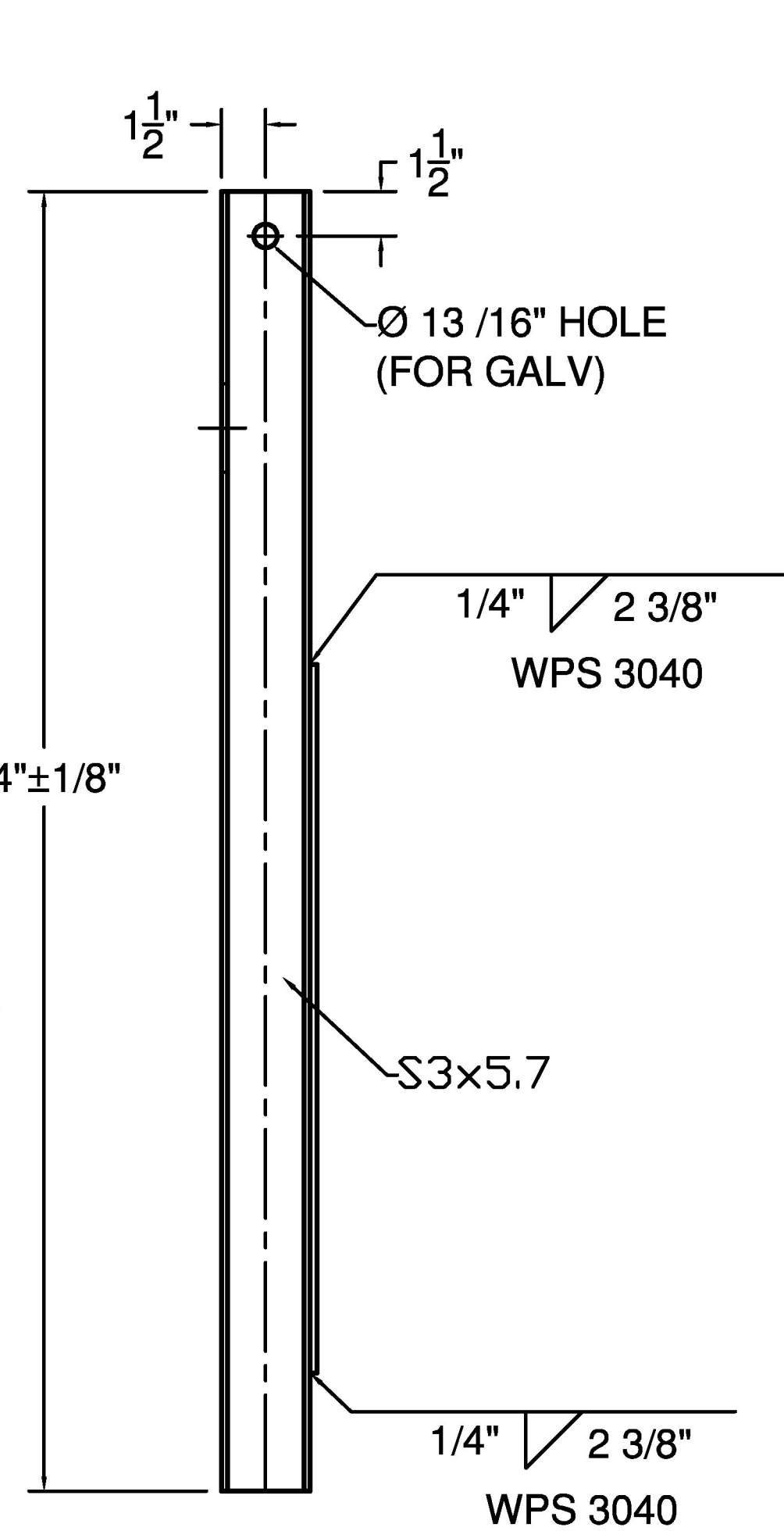
PLAN VIEW



(ITEM # 3)

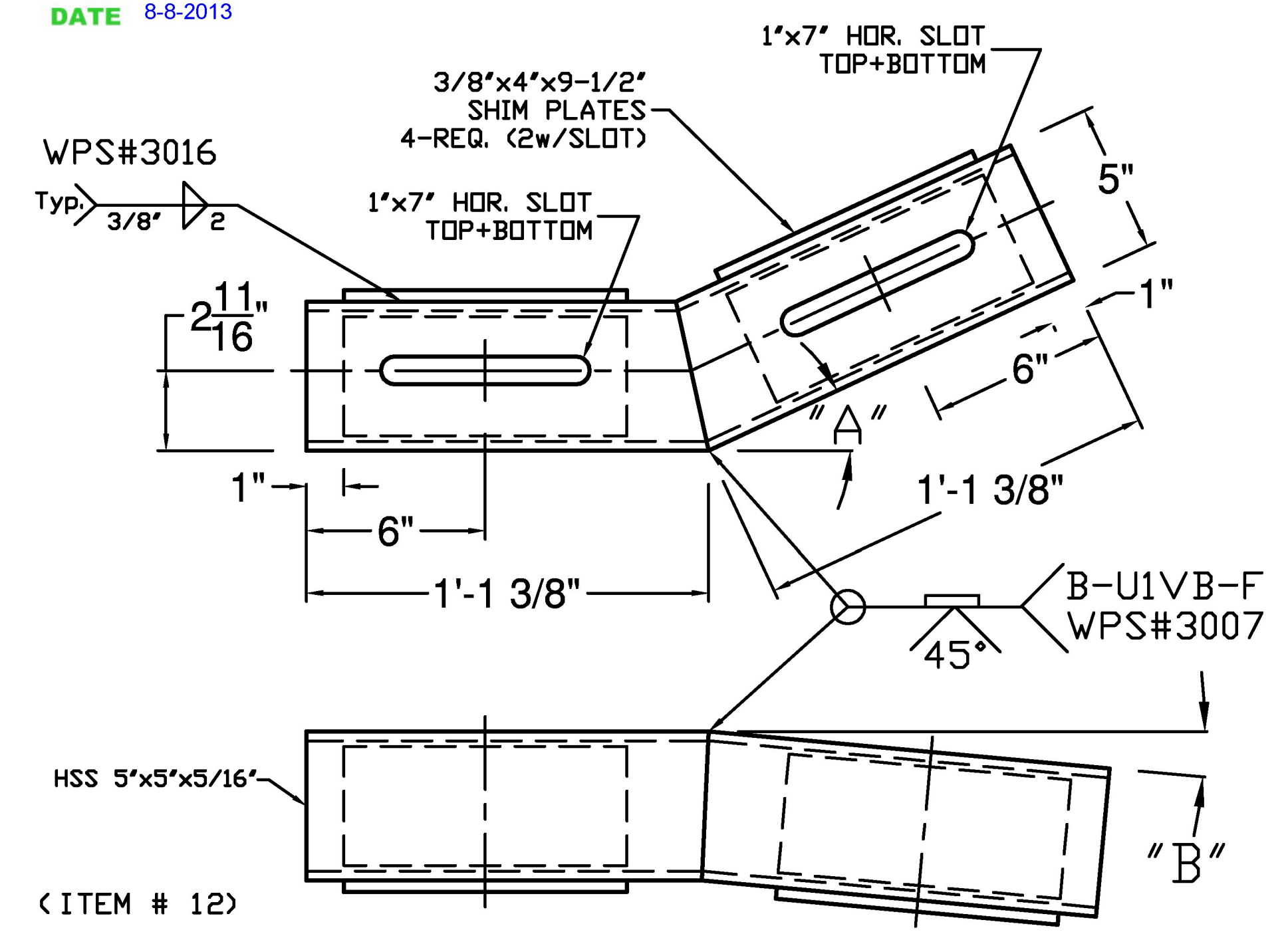


FRONT



SIDE

Vermont Agency of Transportation
RECEIVED
 CK'D BY RK/JG/GL OK'D BY JS
 July 25, 2013
 RESUBMIT NO Approved
 BY KH DATE 8-8-2013



"A" - SEE PLAN FOR TURN BACK DISTANCE, SET ANGLE ACCORDINGLY.
 "B" - TURN DOWN ANGLE SET BY THE 9" MEASUREMENT AT THE END OF THE BOX BEAM.

ITEM #: 900.620 (TRANSITION) FR Lafayette - JAMAICA, EM13-016 SHEET 7 OF 8

APPROVED BY:

BRIDGE RAIL DETAILS SHEET
 EM13-006, JAMAICA ER BRF 015-1 (23)
 TOWN OF JAMAICA, WINDHAM COUNTY, VT RTE 30 (MINOR ARTERIAL), BRIDGE NO : 30

R NO.	DATE	DESCRIPTION	BY	R NO.	DATE	DESCRIPTION	BY
E 1	7/8/13	REVISED PER 6/28/13 MARK UP	E.P.	E	5/30/13		
V 2	7/25/13	REVISE PER 7/23/13 EMAIL	E.P.	V	5/31/13		

ELDERLEE, INC.
 OAKS CORNERS, NEW YORK 14518
 E-Mail: dlong@elderlee.com
 Tel: 315-789-6670 Fax: 315-789-6615

DRAWN E.P. 5/30/13
 CHECKED D.L. 5/31/13
 APPROVED
 SCALE SCHEMATIC
 DRAWING NO. FR LAFAYETTE - JAMAICA