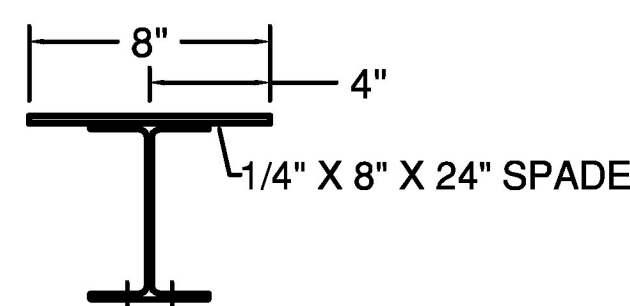


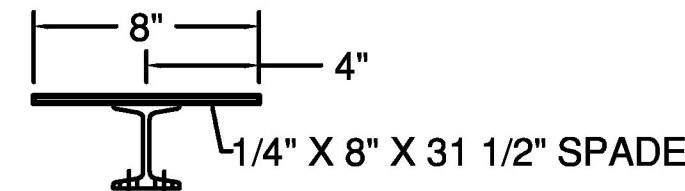
PLAN VIEW



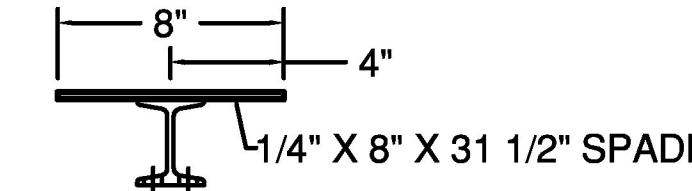
HOLE POSITION CHART

POST	LENGTH
1	1'-6 13/16"
2	1'-6 5/16"
3	1'-5 13/16"
4	1'-5 5/16"

PLAN VIEW

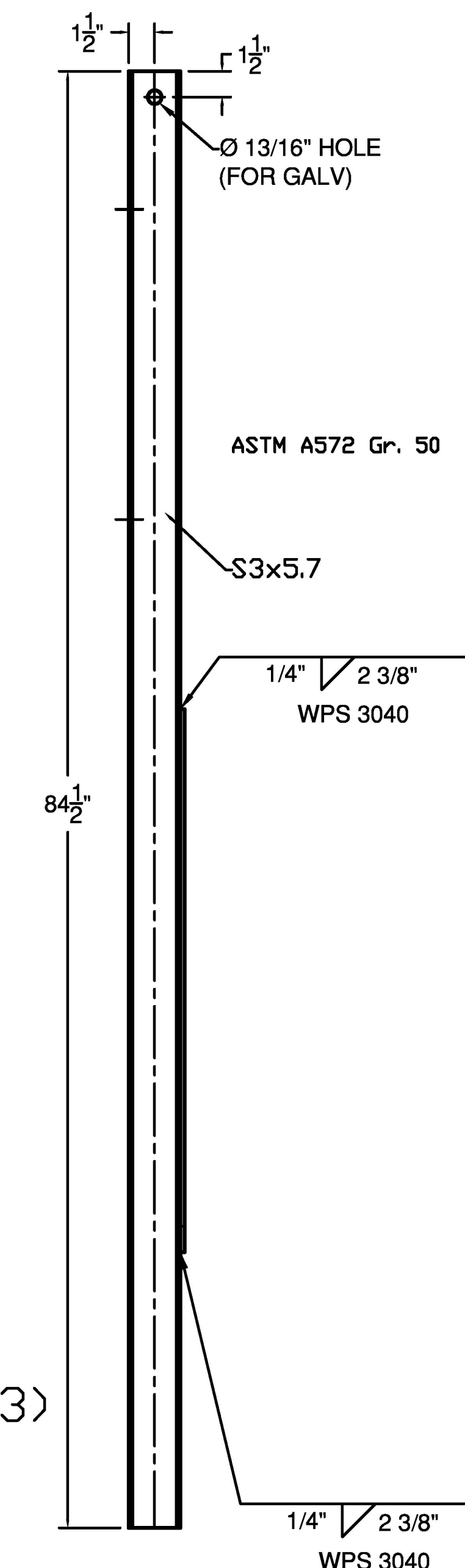
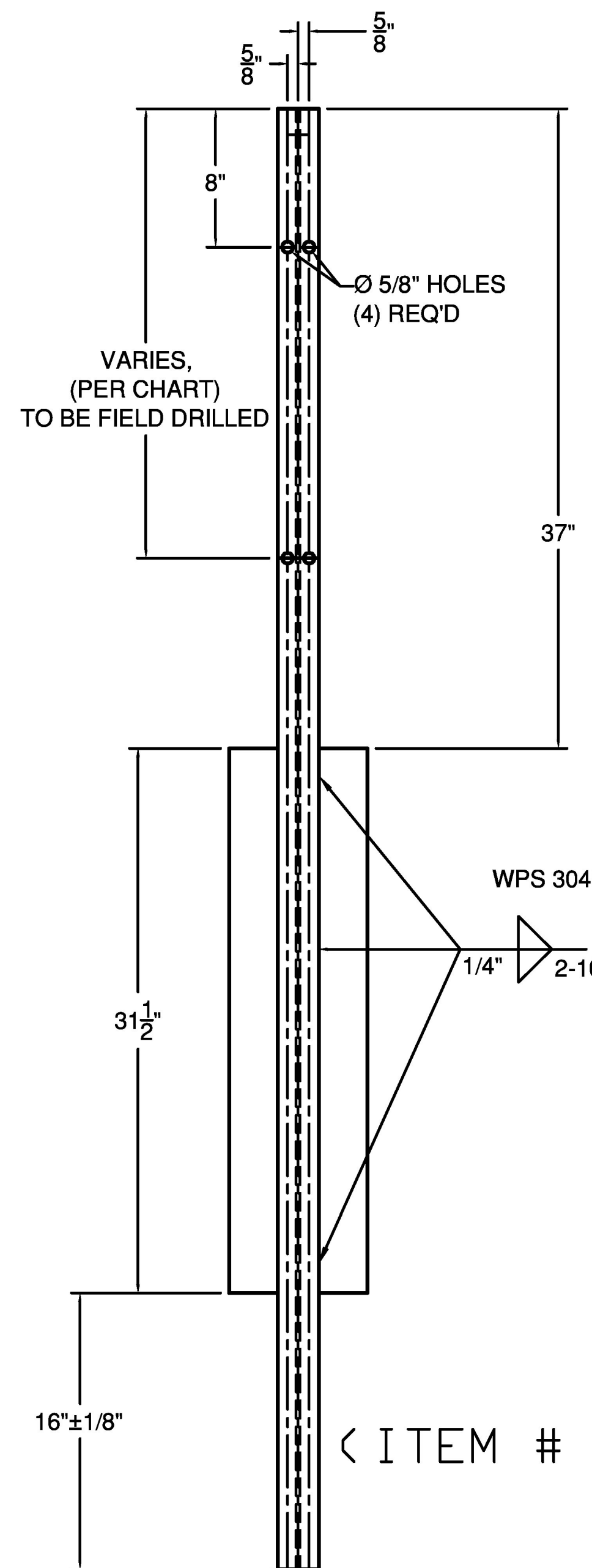
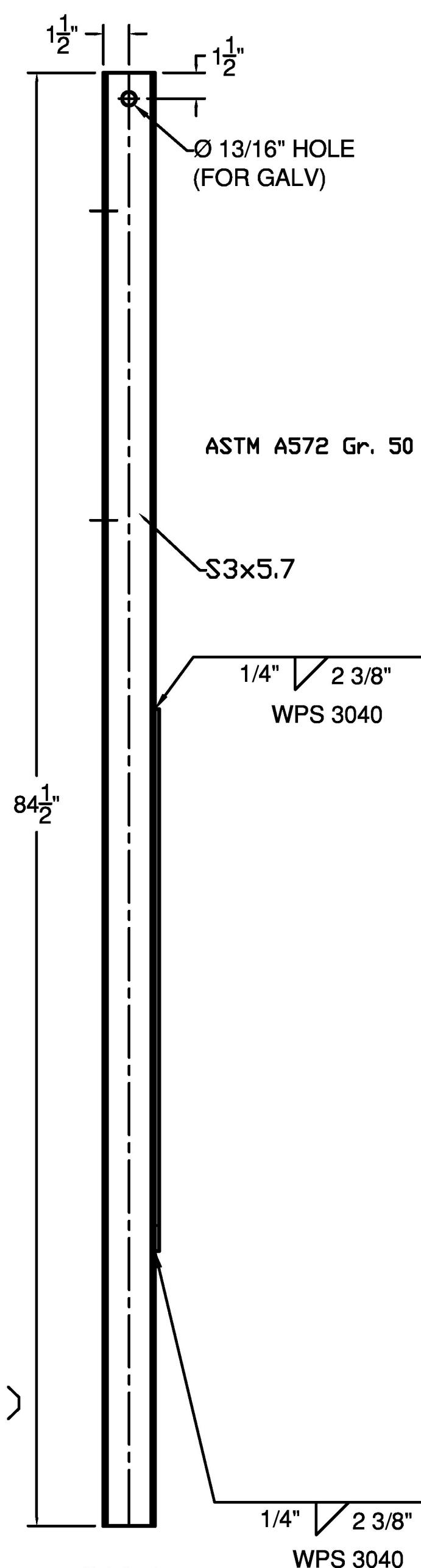
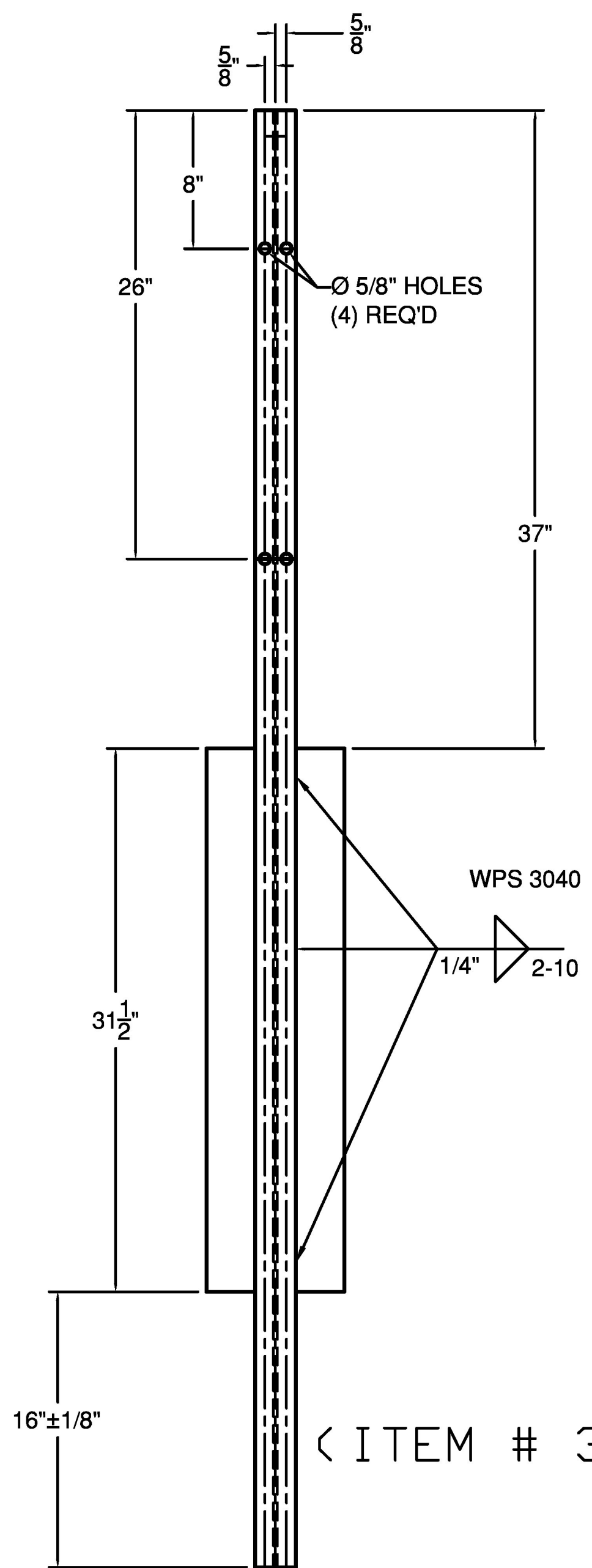
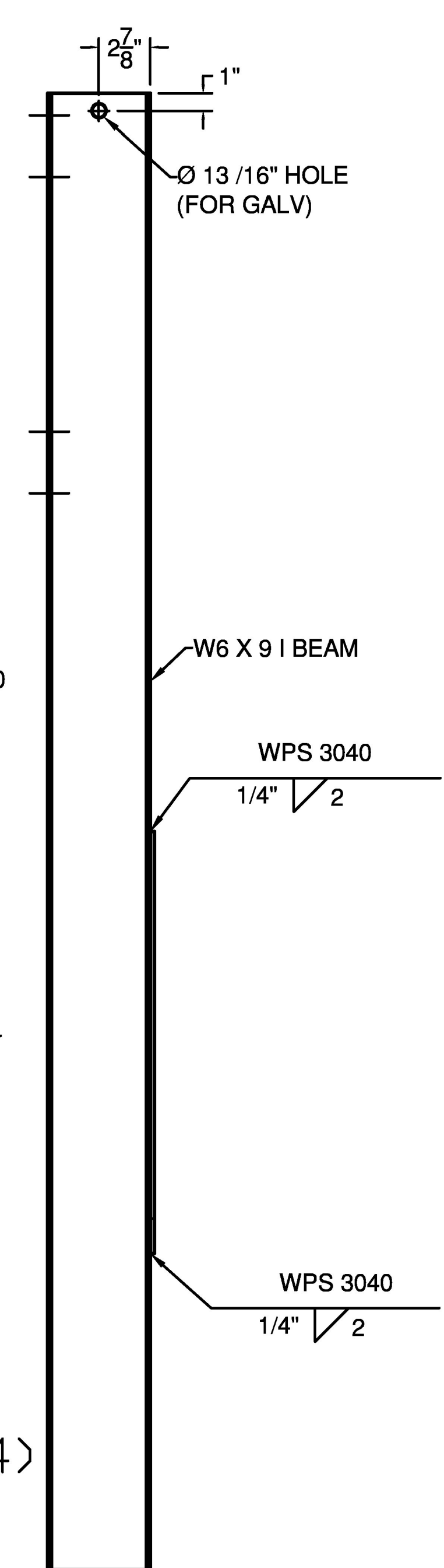
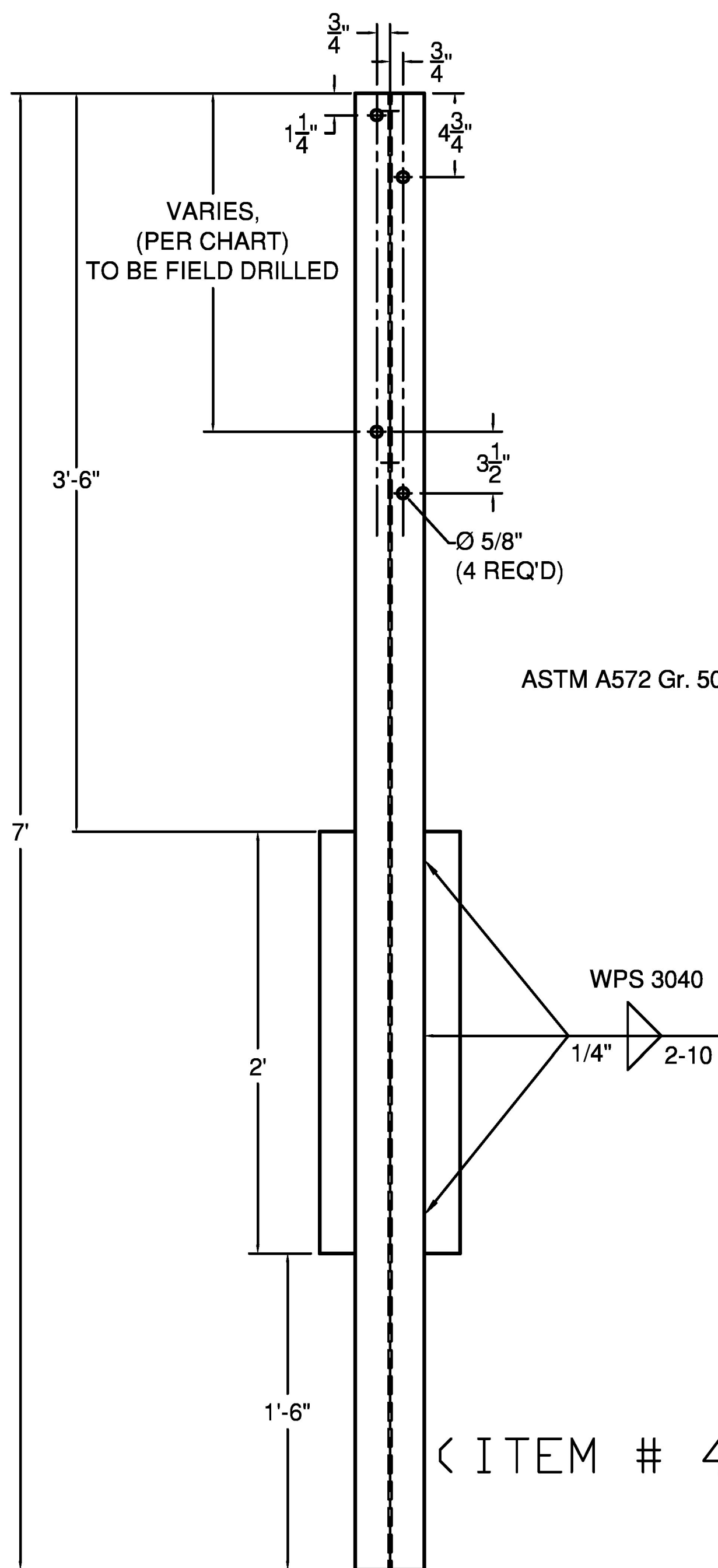


PLAN VIEW



HOLE POSITION CHART

POST	LENGTH
9	2'-0 15/16"
10	1'-11 11/16"
11	1'-10 7/16"
12	1'-9 3/16"



ITEM #: 900.620 (TRANSITION) FR Lafayette - JAMAICA, EM13-016 SHEET 4 OF 8

APPROVED BY:
Vermont Agency of Transportation
RECEIVED
 CK'D BY RK/JG/GL OK'D BY JS
 July 25, 2013
 RESUBMIT NO Approved
 BY KH DATE 8-8-2013

BRIDGE RAIL DETAILS SHEET
 EM13-006, JAMAICA ER BRF 015-1 (23)
 TOWN OF JAMAICA, WINDHAM COUNTY, VT RTE 30 (MINOR ARTERIAL), BRIDGE NO : 30

R NO.	DATE	DESCRIPTION	BY	R NO.	DATE	DESCRIPTION	BY
E 1	7/8/13	REVISED PER 6/28/13 MARK UP	E.P.				
V 2	7/25/13	REVISE PER 7/23/13 EMAIL	E.P.	V			

ELDERLEE, INC.
 OAKS CORNERS, NEW YORK 14518
 E-Mail: dlong@elderlee.com
 Tel: 315-789-6670 Fax: 315-789-6615

CERTIFIED FABRICATOR

DRAWN	E.P.	5/30/13
CHECKED	D.L.	5/31/13
APPROVED		
SCALE	SCHEMATIC	
DRAWING NO. FR LAFAYETTE - JAMAICA		