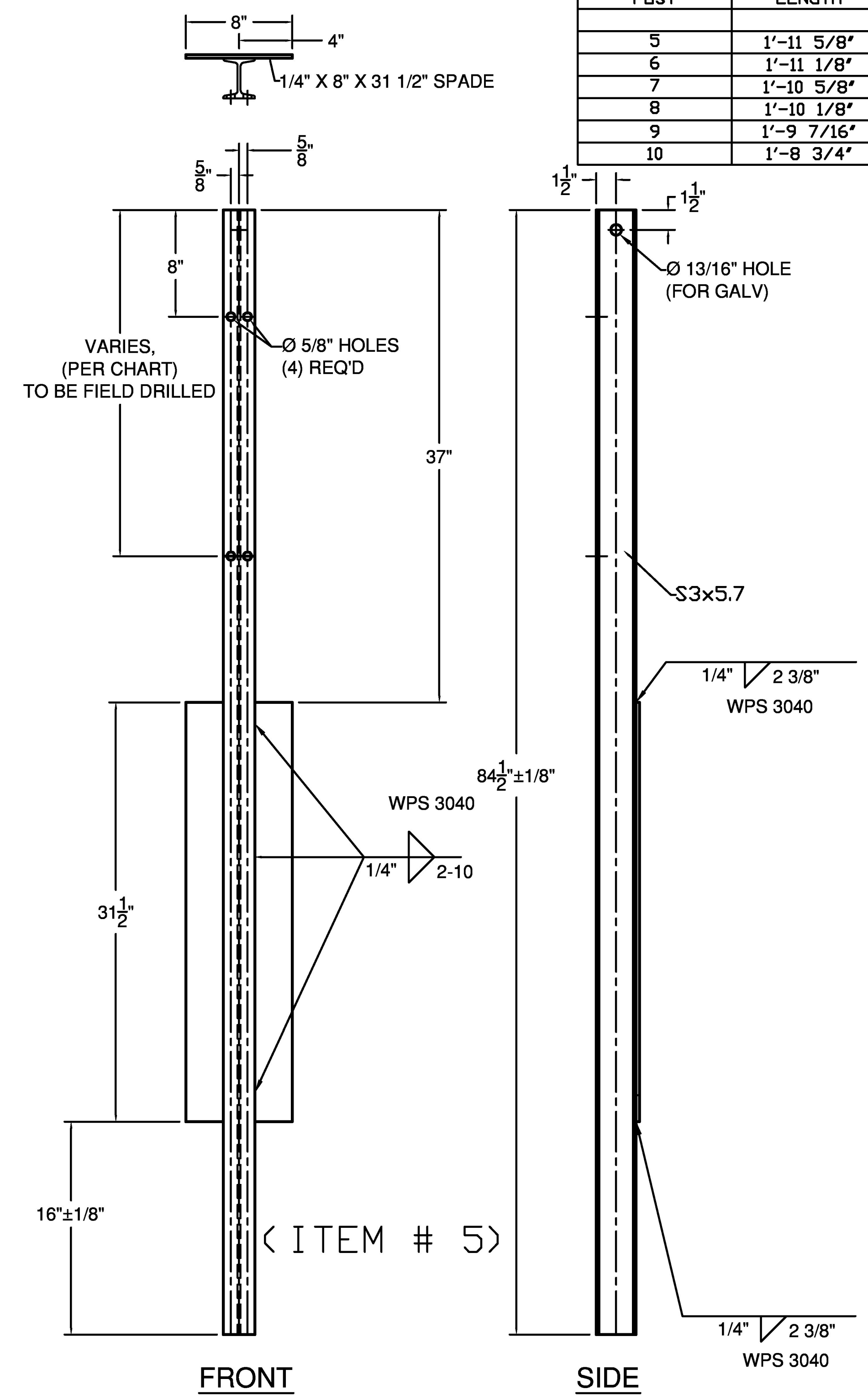


PLAN VIEW



HOLE POSITION CHART	
POST	LENGTH
5	1'-11 5/8"
6	1'-11 1/8"
7	1'-10 5/8"
8	1'-10 1/8"
9	1'-9 7/16"
10	1'-8 3/4"

ITEM #: 900.620 (TRANSITION) FR Lafayette - JAMAICA, EM13-016 SHEET 3 OF 8

APPROVED BY: **RECEIVED** Vermont Agency of Transportation

CK'D BY RK/JG/GL OK'D BY JS July 25, 2013

RESUBMIT NO Approved BY KH DATE 8-8-2013

BRIDGE RAIL DETAILS SHEET
EM13-006, JAMAICA ER BR F 015-1 (23)
TOWN OF JAMAICA, WINDHAM COUNTY, VT RTE 30 (MINOR ARTERIAL), BRIDGE NO : 30

NO.	DATE	DESCRIPTION	BY	R	NO.	DATE	DESCRIPTION	BY
1	7/8/13	REVISED PER 6/28/13 MARK UP	E.P.	E				
2	7/25/13	REVISE PER 7/23/13 EMAIL	E.P.	V				

ELDERLEE, INC.
OAKS CORNERS, NEW YORK 14518
E-Mail: dlong@elderlee.com
Tel: 315-789-6670 Fax: 315-789-6615

DRAWN E.P. 5/30/13
CHECKED D.L. 5/31/13
APPROVED
SCALE SCHEMATIC
DRAWING NO. FR LAFAYETTE - JAMAICA