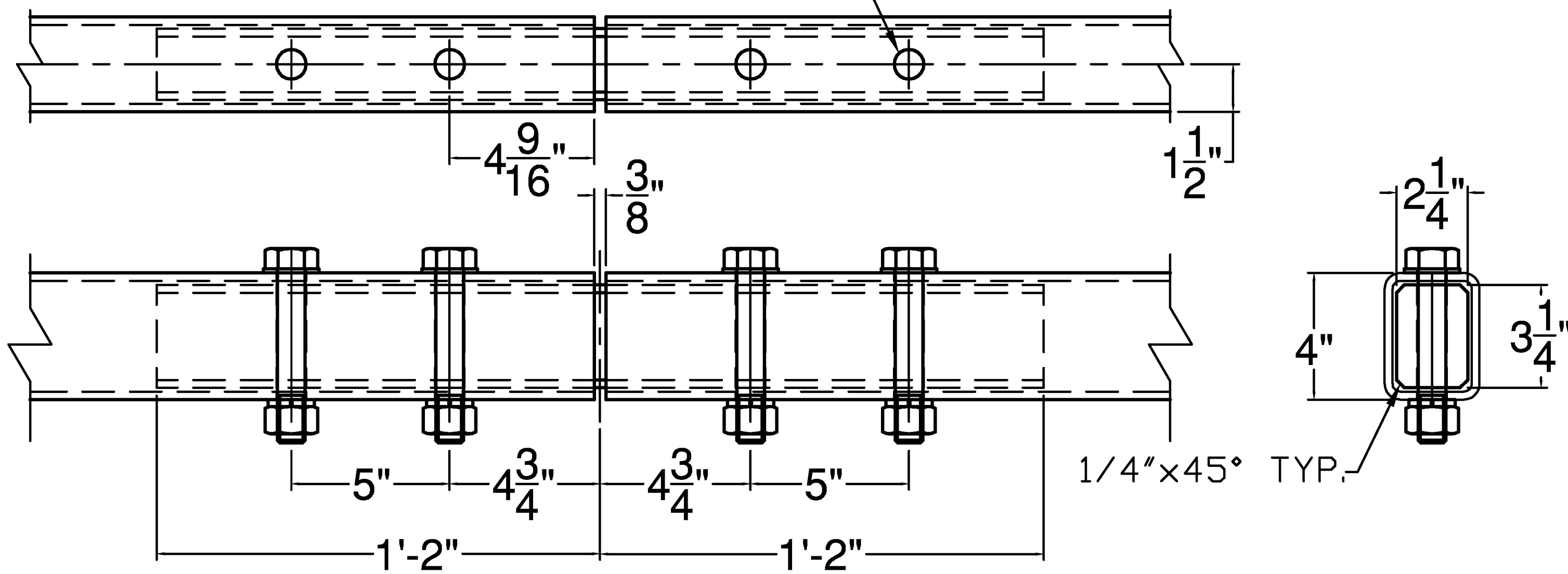


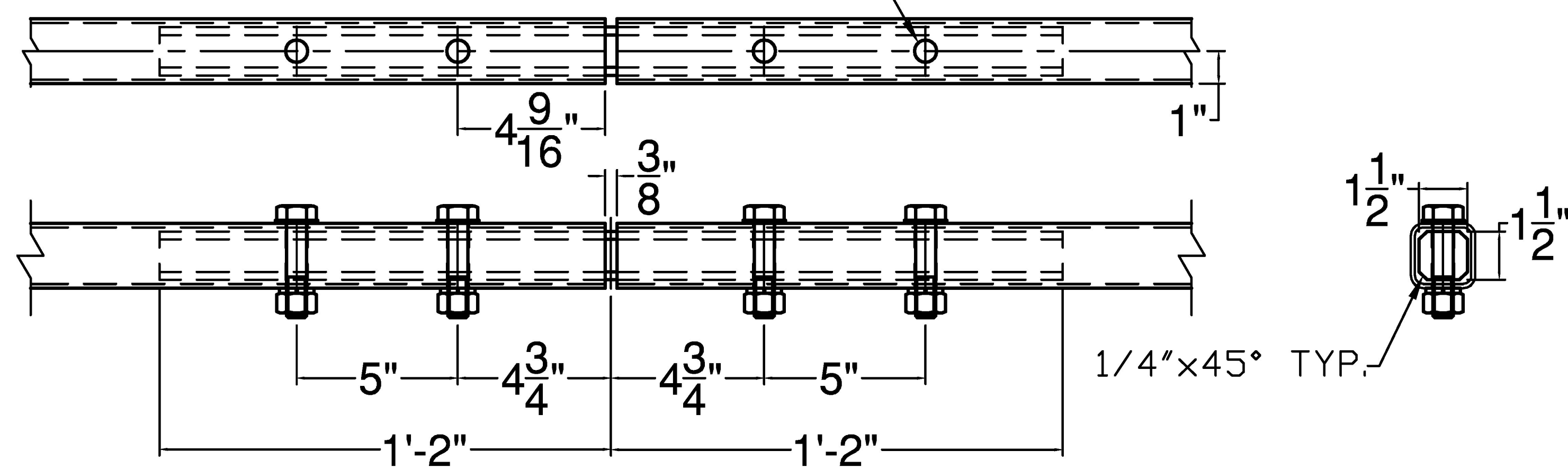
Ø15/16" THRU TUBE & SPLICE BAR,  
Ø7/8"X5 1/2" HEX BOLT & NUT,  
W/ (1) PLAIN HARDENED WASHER &  
(1) LOCK WASHER (4 PLACES)

TOP RAIL FIXED SPLICE DETAIL



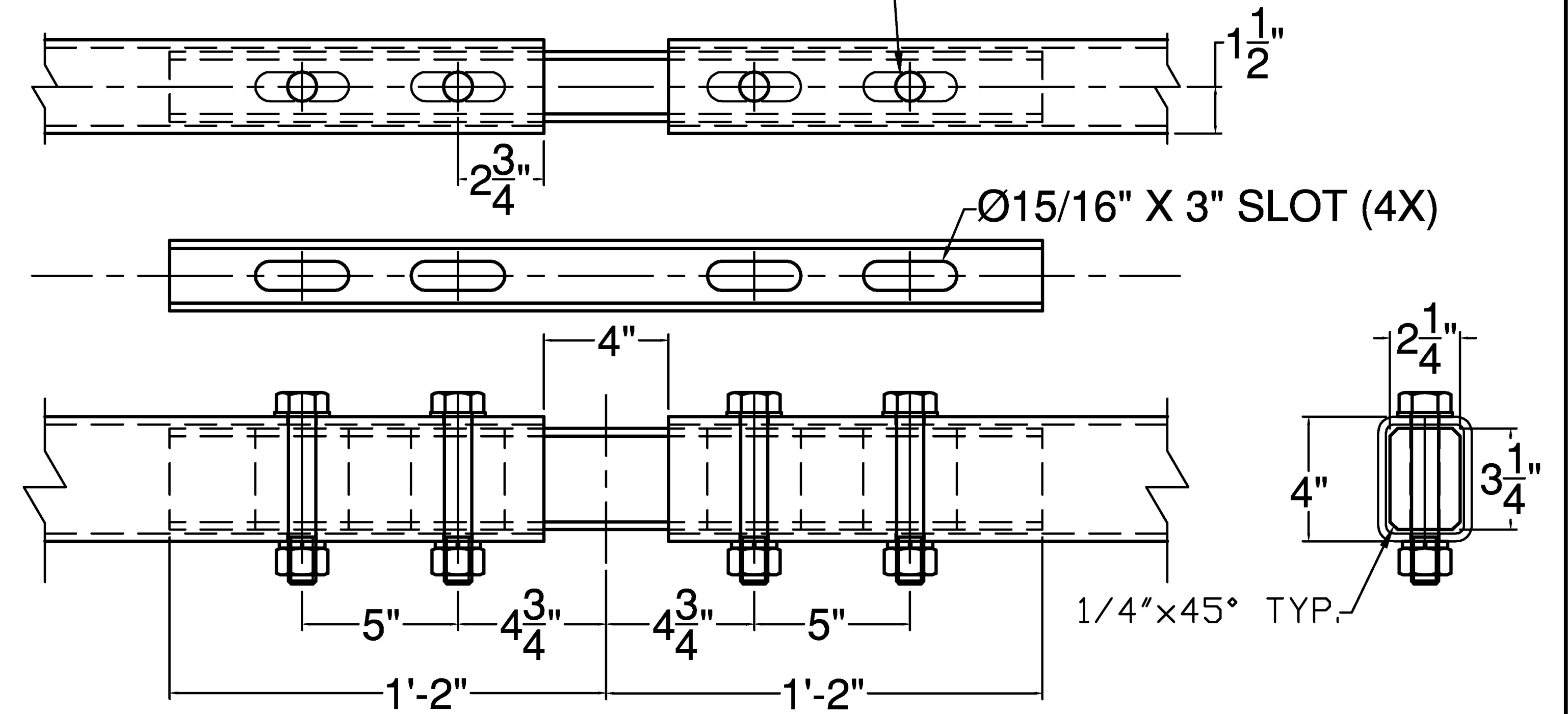
Ø11/16" THRU TUBE & SPLICE BAR,  
Ø5/8"X3" HEX BOLT & NUT,  
W/ (1) PLAIN HARDENED WASHER &  
(1) LOCK WASHER (4 PLACES)

BOTTOM RAIL FIXED SPLICE DETAIL



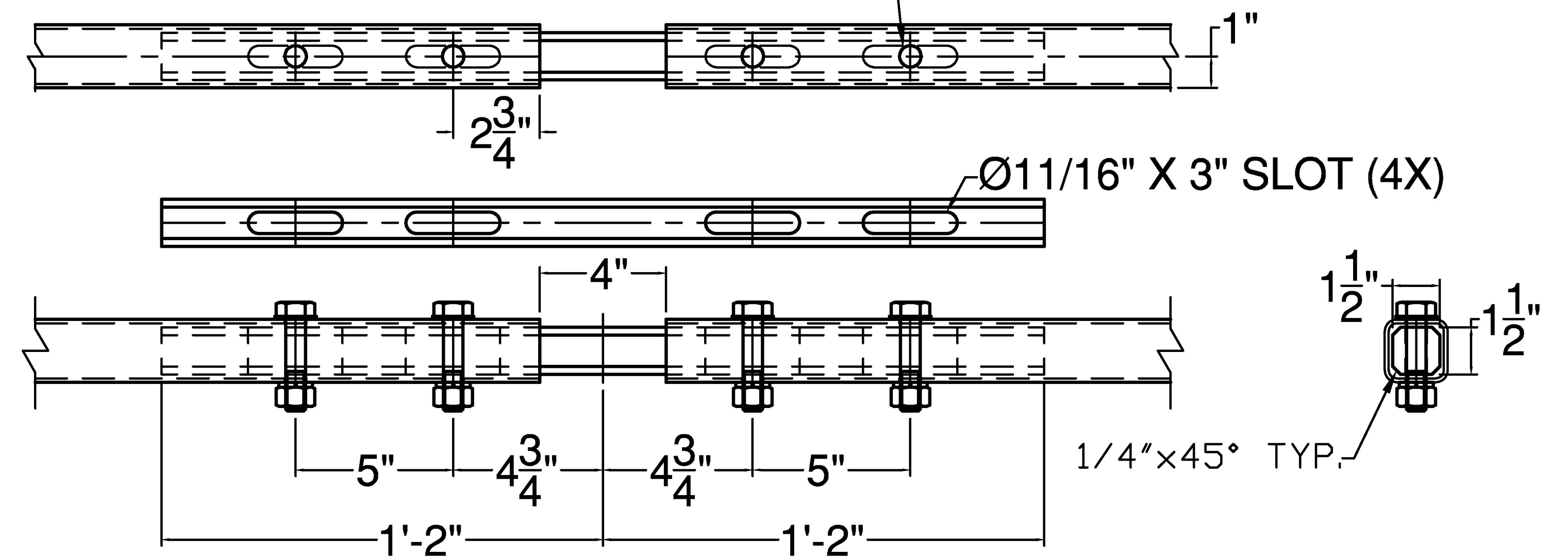
Ø15/16" THRU TUBE & Ø15/16" X 3" SLOT THRU SPLICE  
BAR. Ø7/8"X5 1/2" HEX BOLT & NUT, W/ (1) PLAIN  
HARDENED WASHER & (1) LOCK WASHER (4 PLACES)

TOP RAIL EXPANSION  
SPLICE DETAIL



Ø11/16" THRU TUBE & Ø11/16" X 3" SLOT THRU  
SPLICE BAR. Ø5/8"X3" HEX BOLT & NUT, W/ (1) PLAIN  
HARDENED WASHER & (1) LOCK WASHER (4 PLACES)

BOTTOM RAIL EXPANSION  
SPLICE DETAIL



ITEM #: 525.45

FR Lafayette - JAMAICA, EM13-016

SHEET 3 OF 3

APPROVED BY:

Vermont Agency of Transportation  
**RECEIVED**

CK'D BY RK/JG/GL OK'D BY JS

July 25, 2013

RESUBMIT NO Approved  
BY KH DATE 8-8-2013

**BRIDGE RAIL DETAILS SHEET**

EM13-006, JAMAICA ER BRF 015-1 (23)  
TOWN OF JAMAICA, WINDHAM COUNTY, VT RTE 30 (MINOR ARTERIAL), BRIDGE NO : 30

R NO.	DATE	DESCRIPTION	BY	R NO.	DATE	DESCRIPTION	BY
E 1	7/1/13	REVISE PER 6/28/13 EMAIL	E.P.	E			
V 2	7/25/13	REVISE PER 7/23/13 EMAIL	E.P.	V			



**ELDERLEE, INC.**  
OAKS CORNERS, NEW YORK 14518  
E-Mail: dlong@elderlee.com  
Tel: 315-789-6670 Fax: 315-789-6615



DRAWN	E.P.	5/30/13
CHECKED	D.L.	5/31/13
APPROVED		
SCALE	SCHEMATIC	
DRAWING NO. FR LAFAYETTE - JAMAICA		