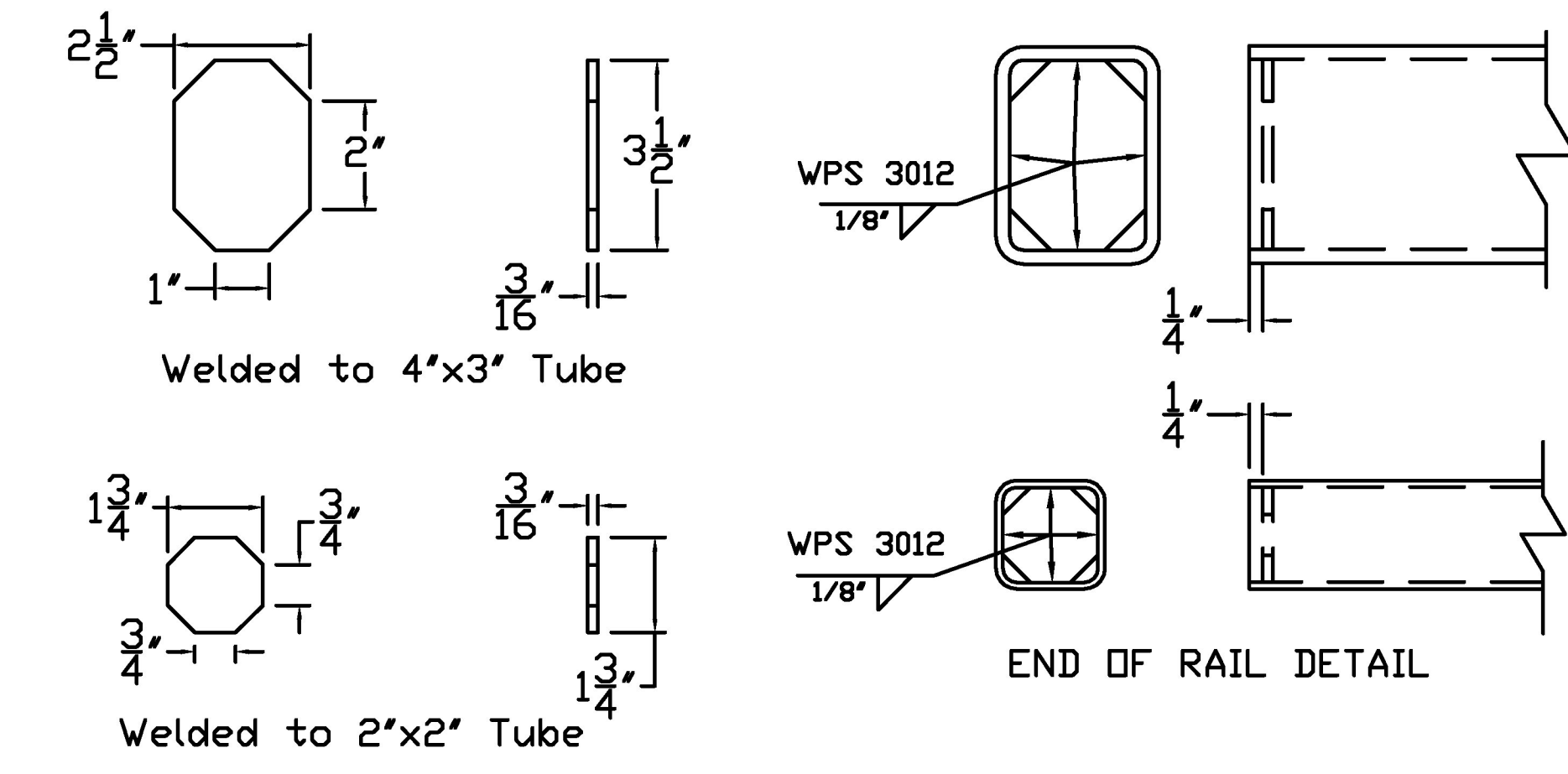


NOTE: NORTH RAIL TO BE SHOP CURVED W/ 722' CONCAVE RADIUS. SOUTH RAIL TO BE SHOP CURVED W/ 683' CONVEX RADIUS.



ITEM #: 525.45

APPROVED BY:

Vermont Agency of Transportation

**RECEIVED**

CK'D BY RK/JG/GL OK'D BY JS

July 25, 2013

RESUBMIT NO Approved

BY KH DATE 8-8-2013

FR Lafayette - JAMAICA, EM13-016 SHEET 1 OF 3

**BRIDGE RAIL DETAILS SHEET**

EM13-006, JAMAICA ER BR F 015-1 (23)

TOWN OF JAMAICA, WINDHAM COUNTY, VT RTE 30 (MINOR ARTERIAL), BRIDGE NO : 30

R NO.	DATE	DESCRIPTION	BY	R NO.	DATE	DESCRIPTION	BY
E 1	7/1/13	REVISE PER 6/28/13 EMAIL	E.P.	E			
V 2	7/23/13	REVISE PER 7/23/13 EMAIL	E.P.	V			

**ELDERLEE, INC.**

OAKS CORNERS, NEW YORK 14518

E-Mail: [dlong@elderlee.com](mailto:dlong@elderlee.com)

Tel: 315-789-6670 Fax: 315-789-6615

ASME CERTIFIED FABRICATOR

DRAWN	E.P.	5/30/13
CHECKED	D.L.	5/31/13
APPROVED		
SCALE	SCHEMATIC	

DRAWING NO. FR LAFAYETTE - JAMAICA