

11 WW2 PLAN VIEW  
1/2" = 1'-0"

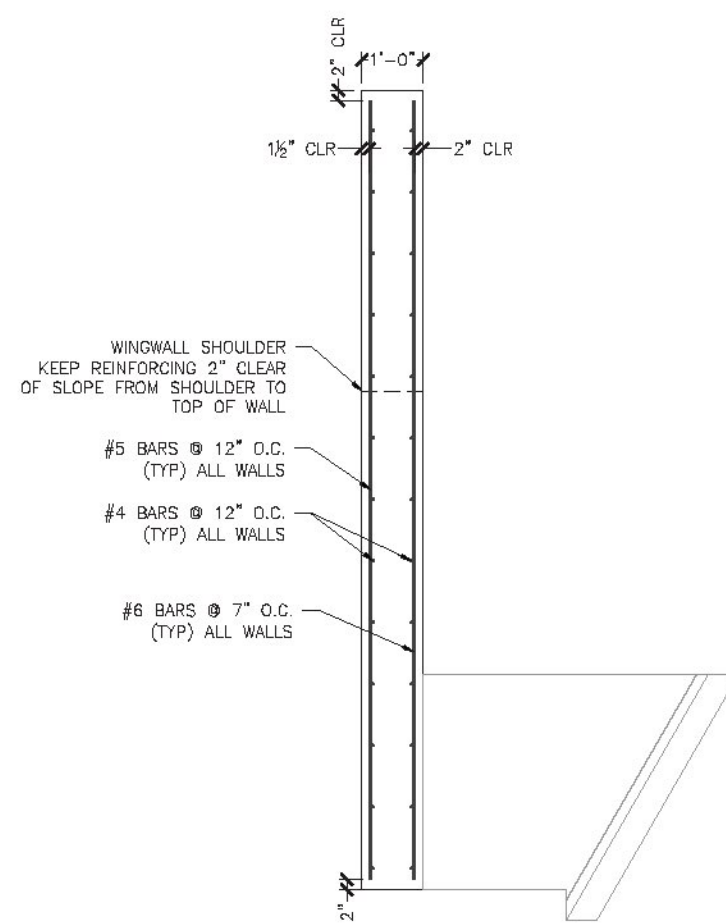
ALL REINFORCING IN THIS DETAIL IS TO BE EPOXY COATED.  
CHAIRS, SPACERS, AND TIES IN AREAS OF EPOXY COATED REINFORCING SHALL BE PLASTIC OR EPOXY COATED.

WW2A REINFORCING SCHEDULE					
BAR MARK	LOCATION	TYPE	SIZE/SPACING	CUT LENGTH	# OF PCS
VERTICAL	OSF	STRAIGHT	#5 @ 12"	VARIES 15'-0" TO 12'-10"	9
VERTICAL	ISF	STRAIGHT	#6 @ 7"	VARIES 15'-0" TO 12'-10"	15
HORIZONTAL	OSF	STRAIGHT	#4 @ 12"	8'-0"	15
HORIZONTAL	ISF	STRAIGHT	#4 @ 12"	8'-0"	15
DIAGONAL	FOLLOW SLOPE	STRAIGHT	#4	7'-0"	2

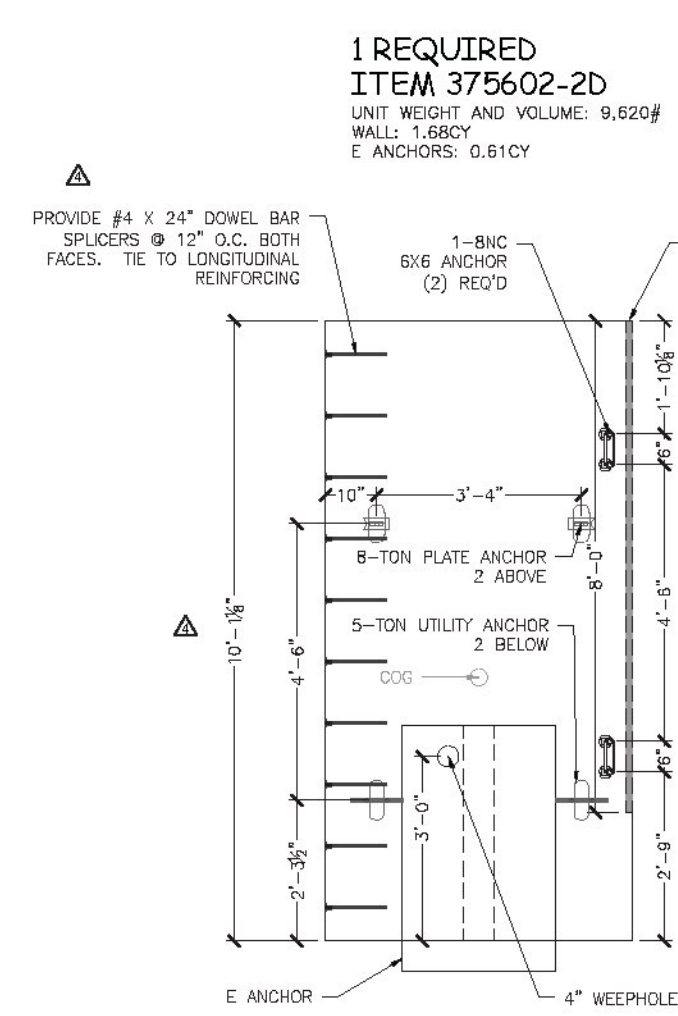
WW2B REINFORCING SCHEDULE					
BAR MARK	LOCATION	TYPE	SIZE/SPACING	CUT LENGTH	# OF PCS
VERTICAL	OSF	STRAIGHT	#5 @ 12"	VARIES 13'-7" TO 12'-0"	5
VERTICAL	ISF	STRAIGHT	#6 @ 7"	VARIES 13'-7" TO 12'-0"	9
HORIZONTAL	OSF	STRAIGHT	#4 @ 12"	4'-8"	14
HORIZONTAL	ISF	STRAIGHT	#4 @ 12"	4'-8"	14
DIAGONAL	FOLLOW SLOPE	STRAIGHT	#4	4'-10 1/2"	2

WW2C REINFORCING SCHEDULE					
BAR MARK	LOCATION	TYPE	SIZE/SPACING	CUT LENGTH	# OF PCS
VERTICAL	OSF	STRAIGHT	#5 @ 12"	VARIES 11'-9" TO 10'-7"	5
VERTICAL	ISF	STRAIGHT	#6 @ 7"	VARIES 11'-9" TO 10'-7"	9
HORIZONTAL	OSF	STRAIGHT	#4 @ 12"	4'-8"	12
HORIZONTAL	ISF	STRAIGHT	#4 @ 12"	4'-8"	12
DIAGONAL	FOLLOW SLOPE	STRAIGHT	#4	3'-10"	2

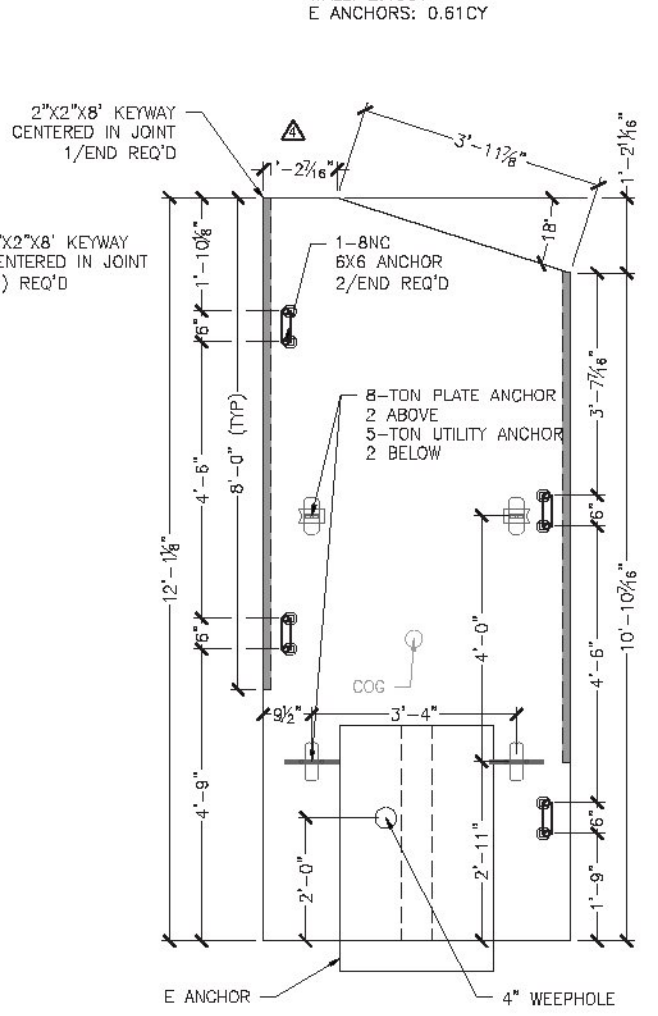
WW2D REINFORCING SCHEDULE					
BAR MARK	LOCATION	TYPE	SIZE/SPACING	CUT LENGTH	# OF PCS
VERTICAL	OSF	STRAIGHT	#5 @ 12"	9'-8"	5
VERTICAL	ISF	STRAIGHT	#6 @ 7"	9'-8"	9
HORIZONTAL	OSF	STRAIGHT	#4 @ 12"	4'-8"	10
HORIZONTAL	ISF	STRAIGHT	#4 @ 12"	4'-8"	10
HORIZONTAL	ISF/OSF	DBS	#4 @ 12"	2'-0"	20



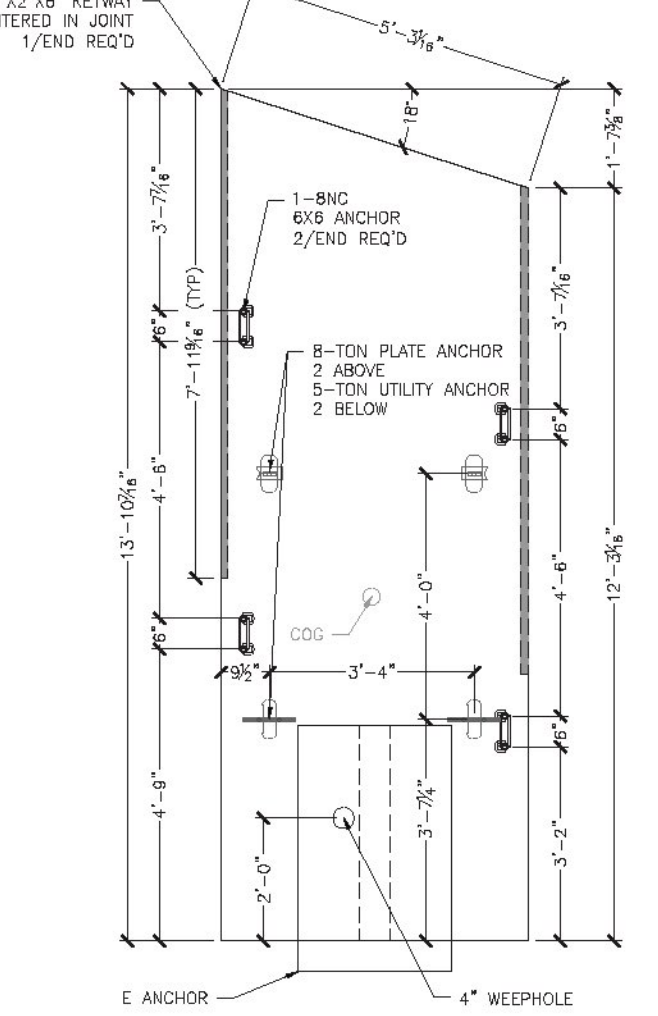
8 WINGWALL REINFORCING (TYP)  
1/2" = 1'-0"



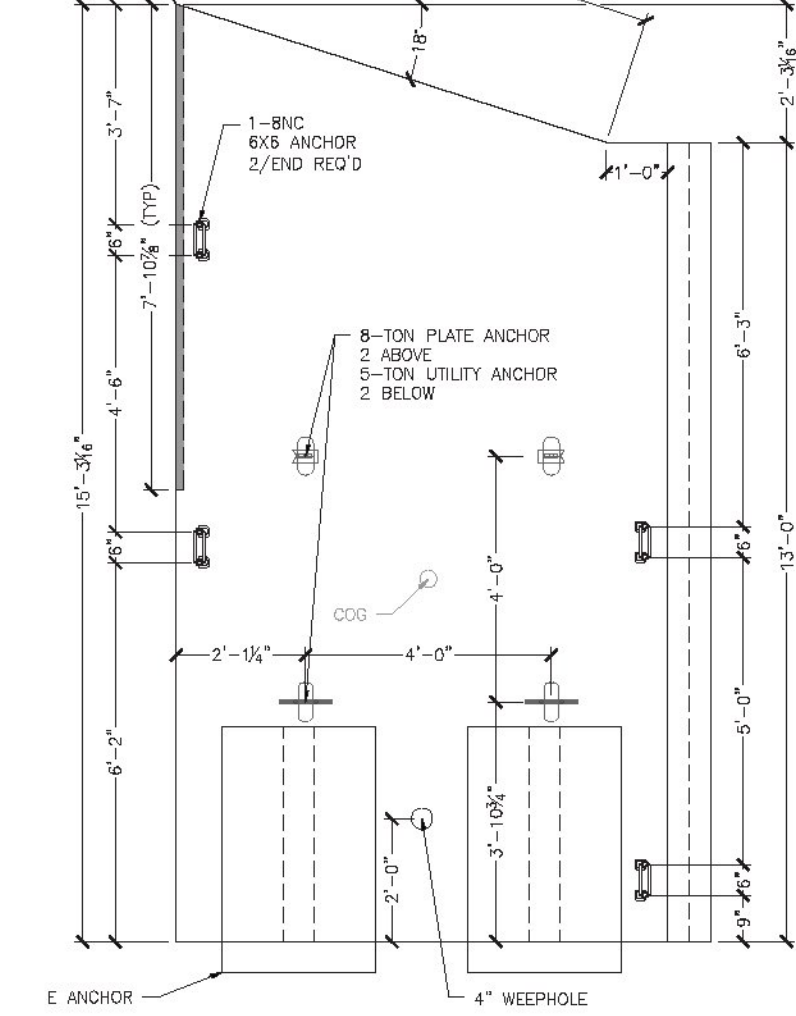
2 WW2D ELEVATION  
1/2" = 1'-0"



3 WW2C ELEVATION  
1/2" = 1'-0"



4 WW2B ELEVATION  
1/2" = 1'-0"



5 WW2A ELEVATION  
1/2" = 1'-0"

1 REQUIRED  
ITEM 375602-2C  
UNIT WEIGHT AND VOLUME: 11,590#  
WALL: 2.15CY  
E. ANCHORS: 0.61CY

1 REQUIRED  
ITEM 375602-2B  
UNIT WEIGHT AND VOLUME: 12,770#  
WALL: 2.43CY  
E. ANCHORS: 0.61CY

1 REQUIRED  
ITEM 375602-2A  
UNIT WEIGHT AND VOLUME: 23,800#  
WALL: 5.66CY  
E. ANCHORS: 2 @ 0.61CY

Vermont Agency of Transportation  
**RECEIVED**  
CK'D BY JWW/JG OK'D BY JS  
March 3, 2014  
RESUBMIT NO Approved  
BY KH DATE 3-10-2014

DESIGNED BY	DATE
CHECKED BY	DATE
APPROVED BY	DATE
PROJECT NO.	2/21/14
 MICHE CORPORATION INC. 173 BARTON INDUSTRIAL DRIVE PO BOX 878 JAMAICA, VT 05464 PHONE: 802-239-2218 FAX: 802-239-1118	
Prepared for:	Scale: AS SHOWN
Fire Drive off VT Rte. 30 VAO# #ER-BRF 015-1(23) Jamaica, VT 16"x8" Box Culvert - Wingwall 2 Details	Checked by: JMF
Prepared by: Bazin Brothers Trucking 2425 Back Westminster Road Westminster, VT 05158	Drawn by: JBL
DWG NO. S11.0	