

1 WW3A&B PLAN VIEW
SCALE: 1/4" = 1'-0"

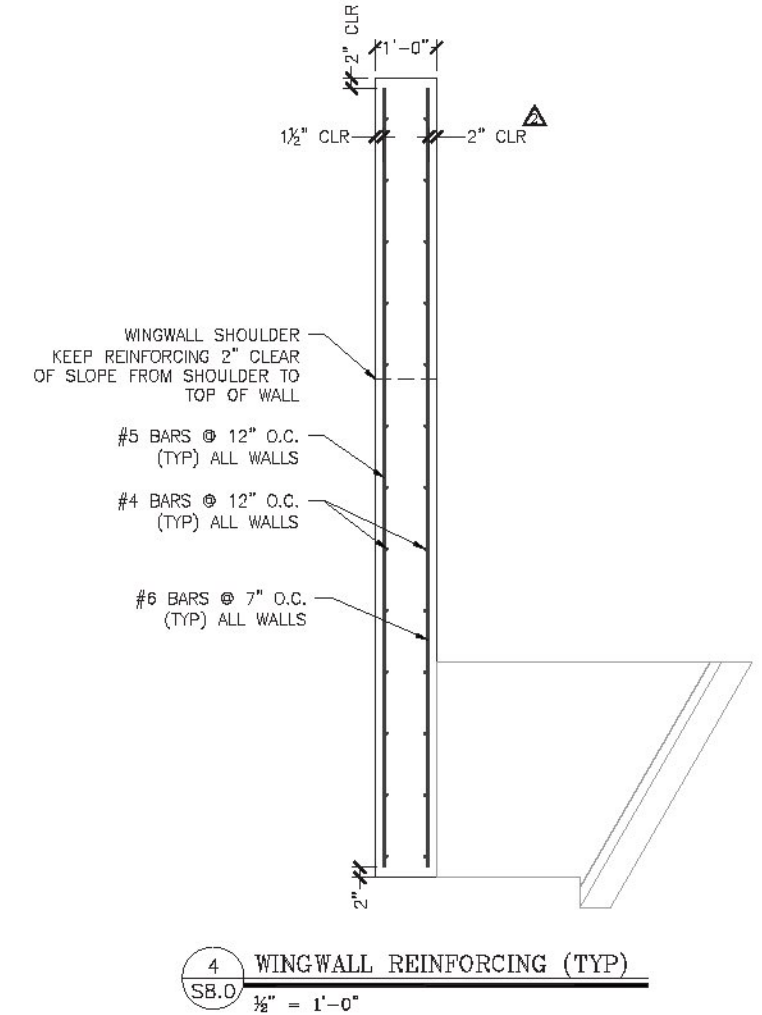
ALL REINFORCING IN THIS DETAIL IS TO BE EPOXY COATED. CHAIRS, SPACERS, AND TIES IN AREAS OF EPOXY COATED REINFORCING SHALL BE PLASTIC OR EPOXY COATED.

WW3A REINFORCING SCHEDULE (COUNTS REFLECT 1 UNIT)

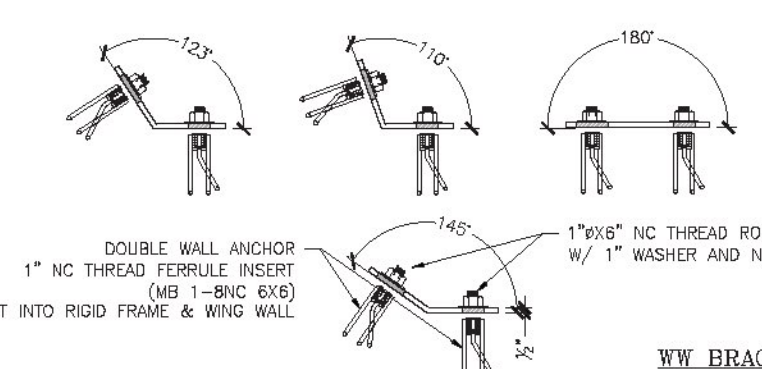
| BAR MARK | LOCATION | TYPE | SIZE/SPACING | CUT LENGTH | # OF PCS |
|------------|--------------|----------|--------------|----------------------------------|----------|
| VERTICAL | OSF | STRAIGHT | #5 @ 12" | VARIES 13'-0 1/4" TO 13'-11 1/4" | 12 |
| VERTICAL | ISF | STRAIGHT | #6 @ 7" | VARIES 13'-0 1/4" TO 13'-11 1/4" | 20 |
| HORIZONTAL | OSF | STRAIGHT | #4 @ 12" | 8'-4" | 14 |
| HORIZONTAL | ISF | STRAIGHT | #4 @ 12" | 8'-4" | 14 |
| DIAGONAL | FOLLOW SLOPE | STRAIGHT | #4 | 8'-3 1/4" | 2 |

WW3B REINFORCING SCHEDULE (COUNTS REFLECT 1 UNIT)

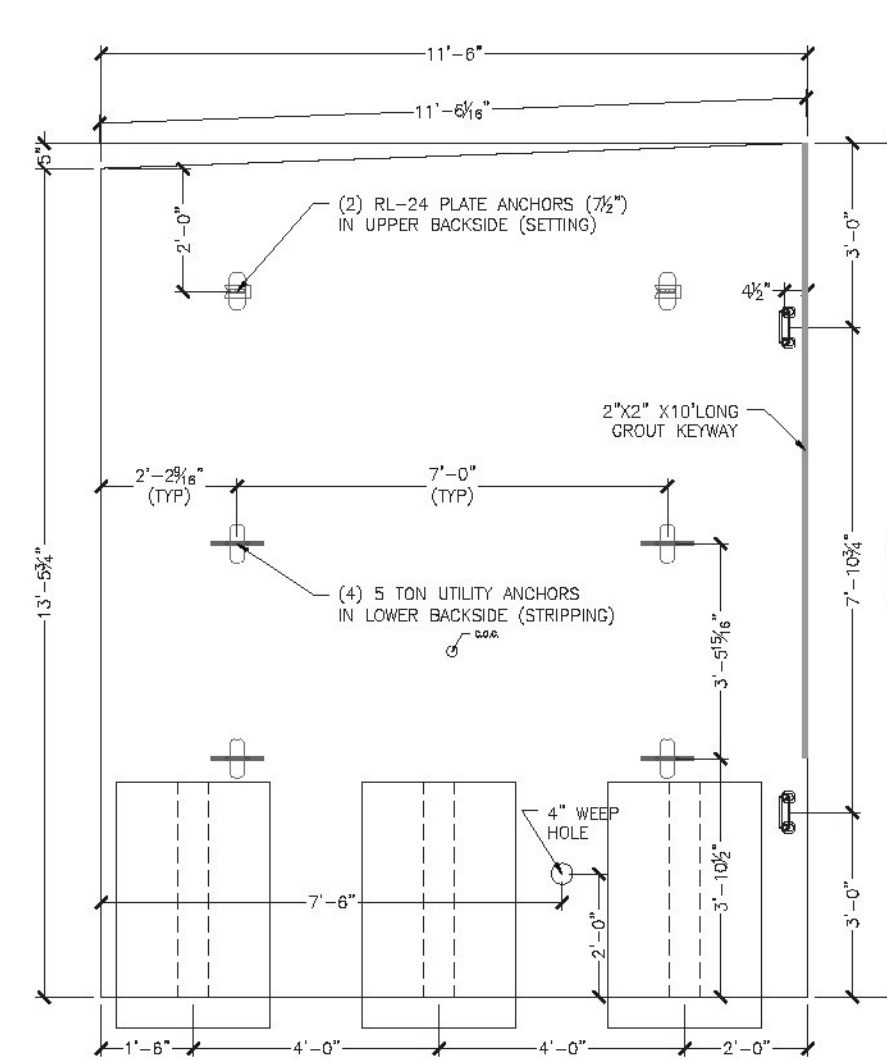
| BAR MARK | LOCATION | TYPE | SIZE/SPACING | CUT LENGTH | # OF PCS |
|------------|--------------|----------|--------------|---------------------------------|----------|
| VERTICAL | OSF | STRAIGHT | #5 @ 12" | VARIES 13'-1 1/4" TO 13'-0 1/4" | 12 |
| VERTICAL | ISF | STRAIGHT | #6 @ 7" | VARIES 13'-1 1/4" TO 13'-0 1/4" | 20 |
| HORIZONTAL | OSF | STRAIGHT | #4 @ 12" | 8'-4" | 14 |
| HORIZONTAL | ISF | STRAIGHT | #4 @ 12" | 8'-4" | 14 |
| DIAGONAL | FOLLOW SLOPE | STRAIGHT | #4 | 8'-4 1/4" | 2 |



4 WINGWALL REINFORCING (TYP)
SCALE: 1/2" = 1'-0"

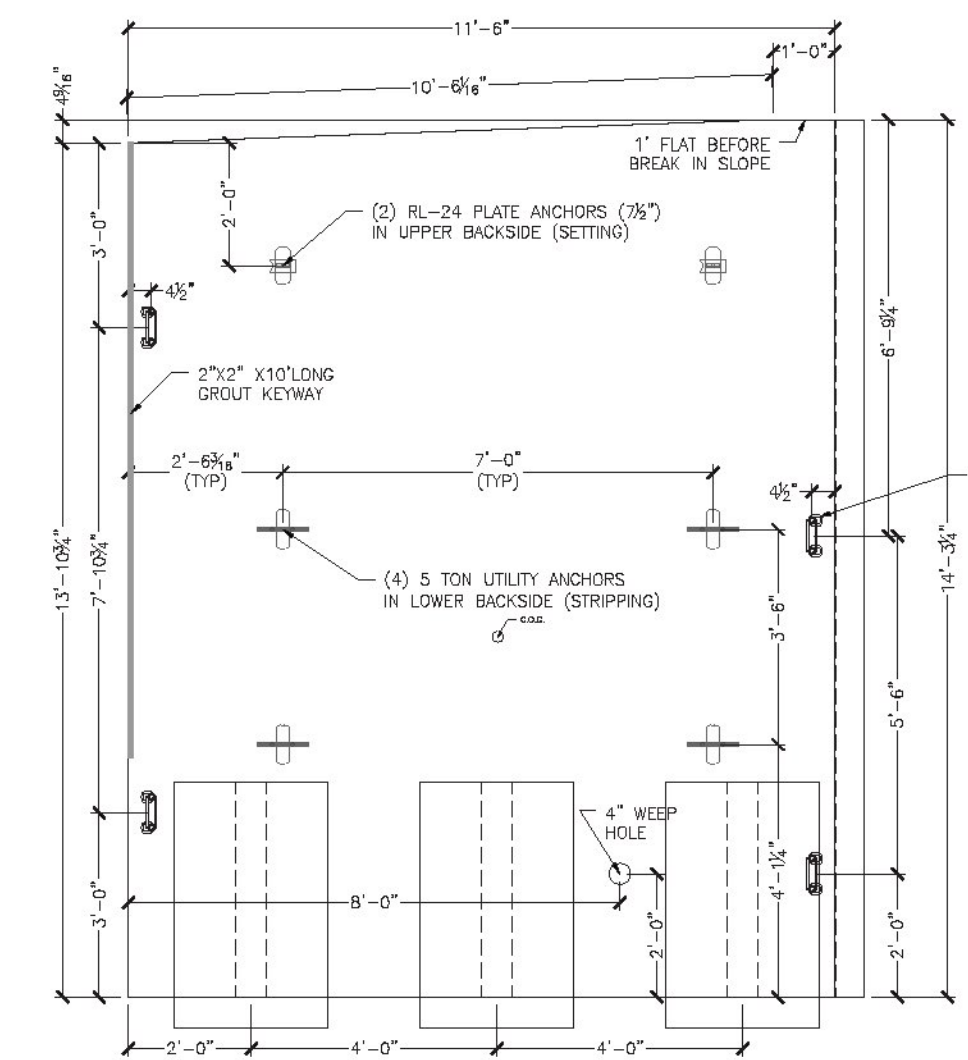


5 WINGWALL BRACKET DETAIL
SCALE: 1" = 1'-0"



1 REQUIRED ITEM 375602-3B
UNIT WEIGHT AND VOLUME: 32,150#
WALL: 5.83CY
E ANCHORS: 0.61CY

2 WW3B ELEVATION (LOOKING AT BACKSIDE)
SCALE: 1/4" = 1'-0"



1 REQUIRED ITEM 375602-3A
UNIT WEIGHT AND VOLUME: 34,120#
WALL: 6.30CY
E ANCHORS: 0.61CY

3 WW3A ELEVATION (LOOKING AT BACKSIDE)
SCALE: 1/4" = 1'-0"

- WW BRACKET (14) 180° REQUIRED
- (4) 145° REQUIRED
- (2) 110° REQUIRED
- (2) 123° REQUIRED

PLATES TO BE MADE OF 3/8" MILD STEEL, PLASMA CUT, AND BENT AS REQUIRED. (HOT DIPPED GALVANIZED AFTER BENDING)

Vermont Agency of Transportation
RECEIVED
CK'D BY JW/JG OK'D BY JS
March 3, 2014
RESUBMIT NO Approved
BY KH DATE 3-10-2014

| | | | |
|--------------|---|------|-----|
| DATE | 2/21/14 | BY | JKL |
| CHK'D | | DATE | |
| APP'D | | DATE | |
| DESIGNED BY | SALE AS SHOWN | DATE | |
| CHECKED BY | CHASLEY TAYLOR | DATE | |
| PROJECT NO. | 3744 | DATE | |
| PROJECT NAME | Fire Drive off VT Rte. 30 VAOT #ER-BRF 015-1(23) Jamaica, VT 18'x8' Box Culvert - Wingwall 3 Details | DATE | |
| PREPARED FOR | Bezin Brothers Trucking 2425 Back Westminster Road Westminster, VT 05158 | DATE | |
| DWG NO. | SS:0 | DATE | |