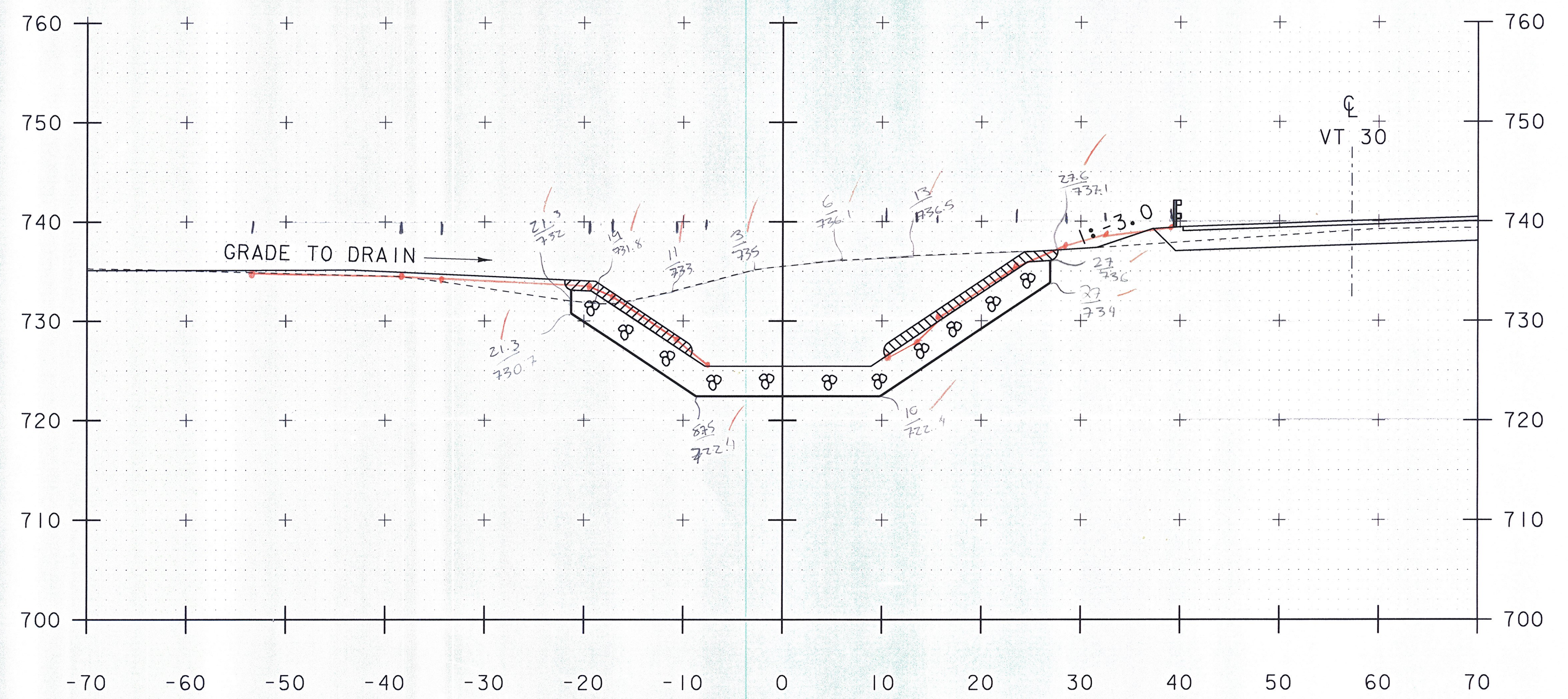
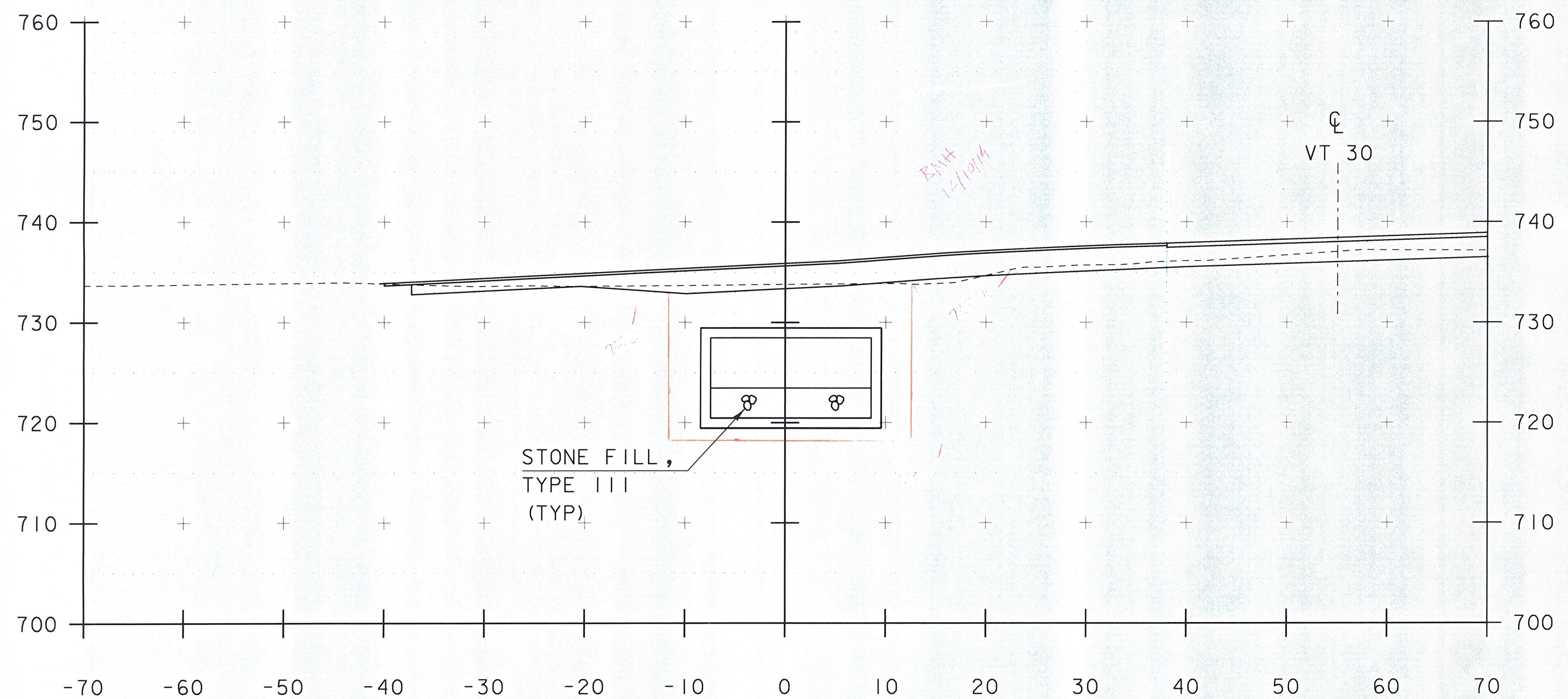


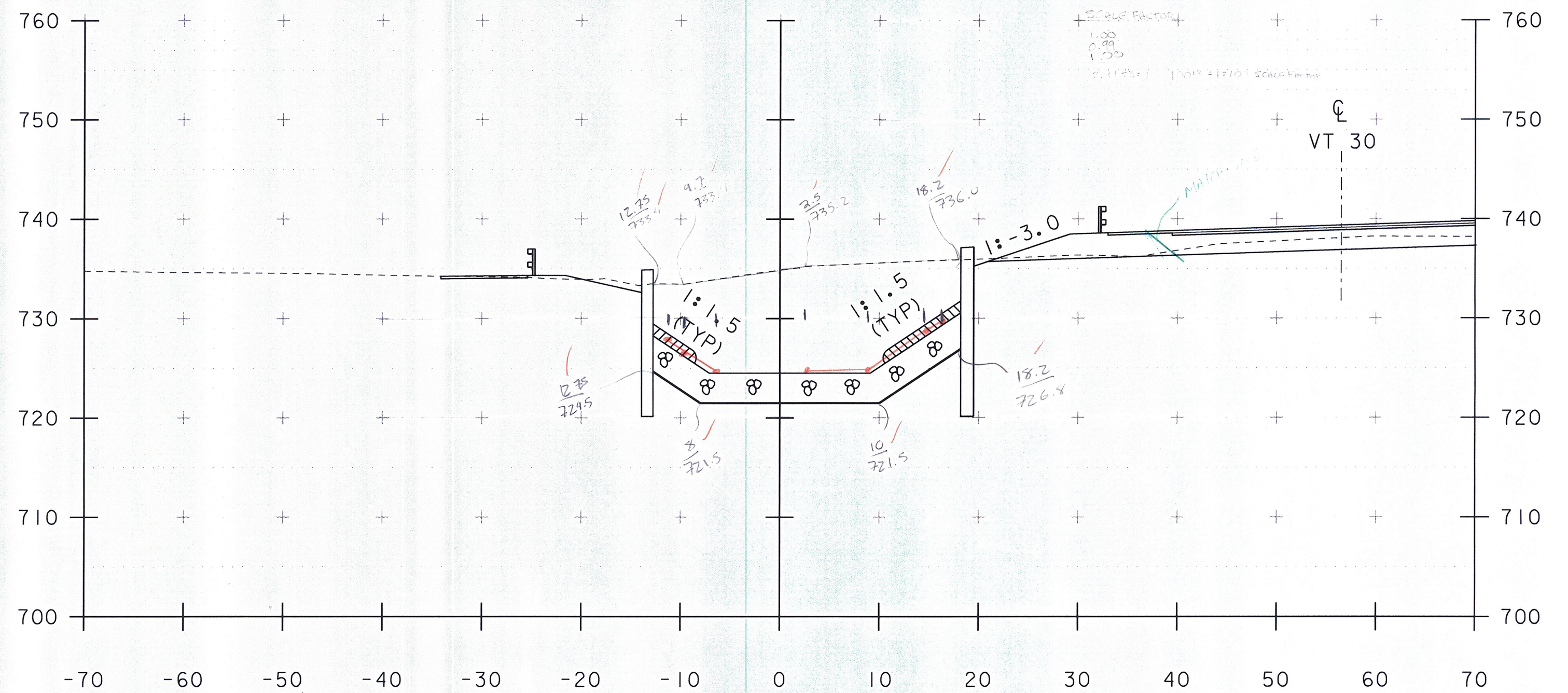
51+25



51+75



51+00



51+50

SCALE 1" = 10'-0"

PROJECT NAME: JAMAICA	
PROJECT NUMBER: ER-BRF 015-1 (23)	
FILE NAME: s11b316.xs.dgn	PLOT DATE: 07-DEC-2012
PROJECT LEADER: K. HIGGINS	DRAWN BY: K. FRIEDLAND
DESIGNED BY: G. LAROCHE	CHECKED BY: G. LAROCHE
BOX CULVERT SECTIONS 2	SHEET 67 OF 82

STA. 51+00 TO STA. 51+75