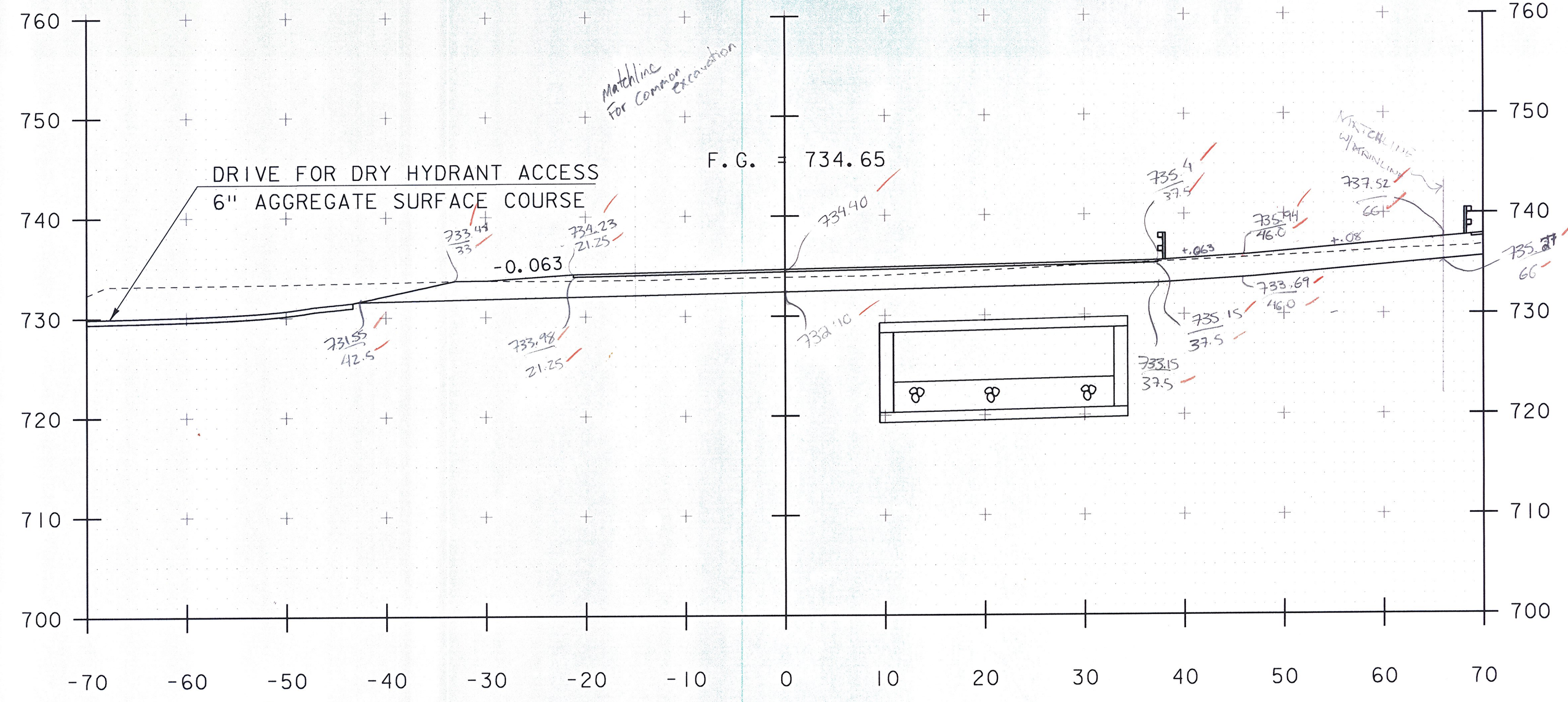
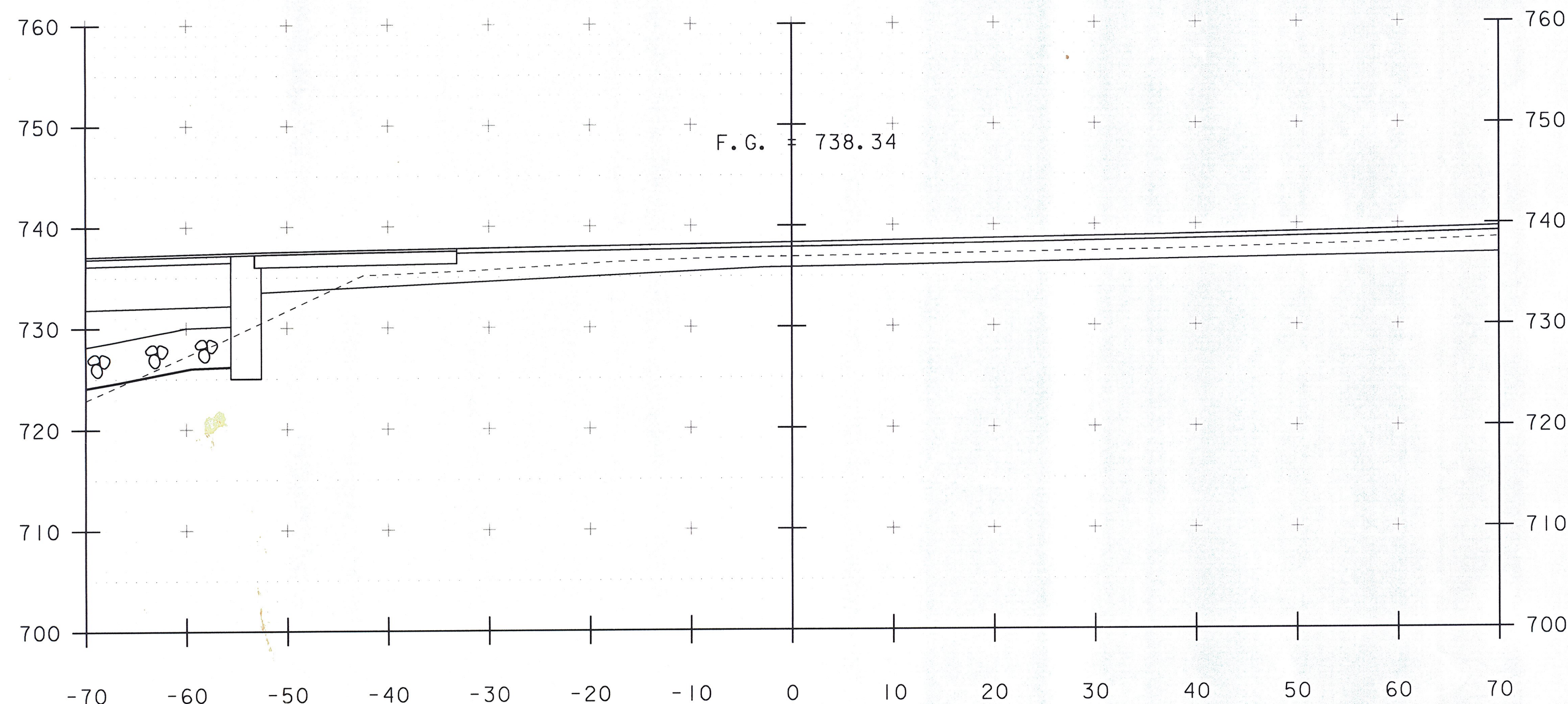


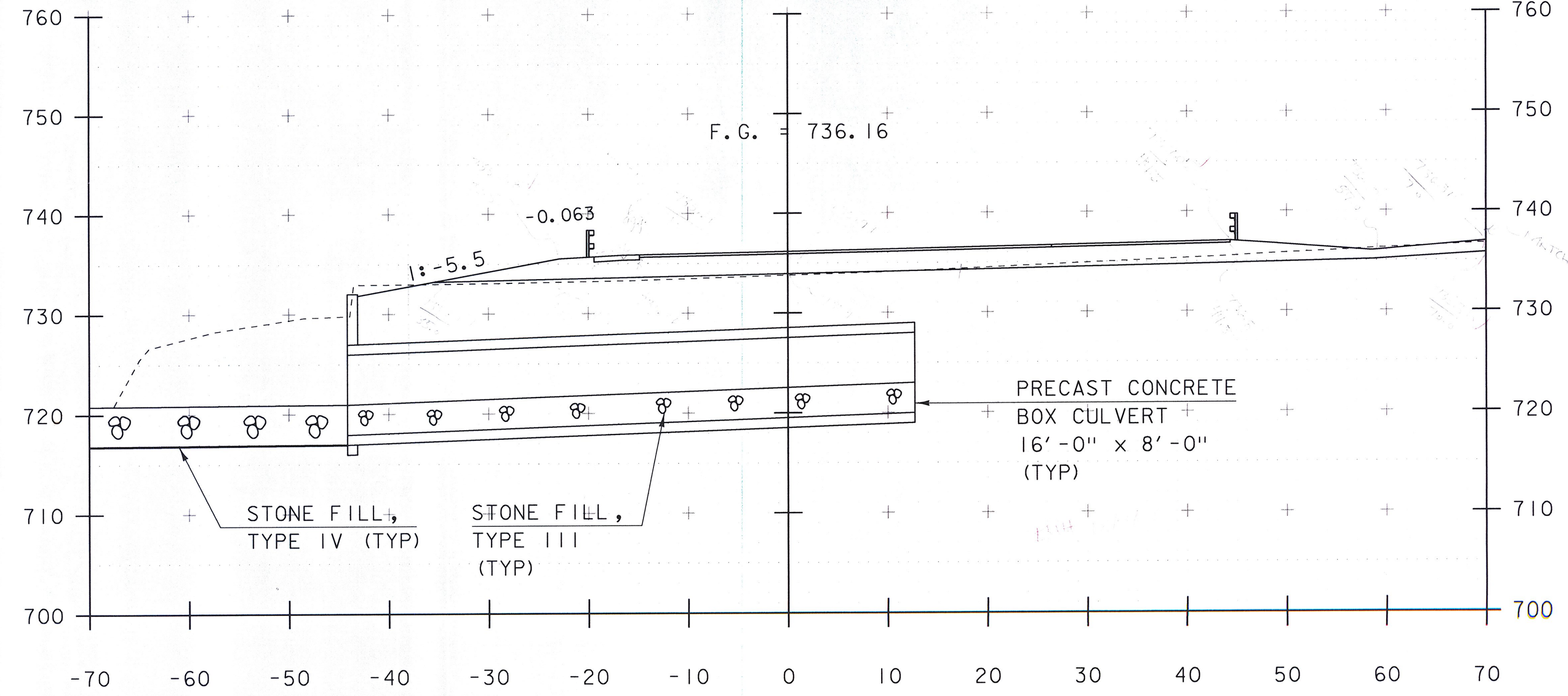
20+25  
 BEGIN FIRE DRIVE @ 20+17.00



20+75



20+00



20+50

SCALE 1" = 10'-0"

STA. 20+00 TO STA. 20+75

PROJECT NAME: JAMAICA	
PROJECT NUMBER: ER-BRF 015-1(23)	
FILE NAME: s1b316.xs.dgn	PLOT DATE: 07-DEC-2012
PROJECT LEADER: K. HIGGINS	DRAWN BY: K. FRIEDLAND
DESIGNED BY: G. LAROCHE	CHECKED BY: G. LAROCHE
FIRE DRIVE SECTIONS I	SHEET 64 OF 82