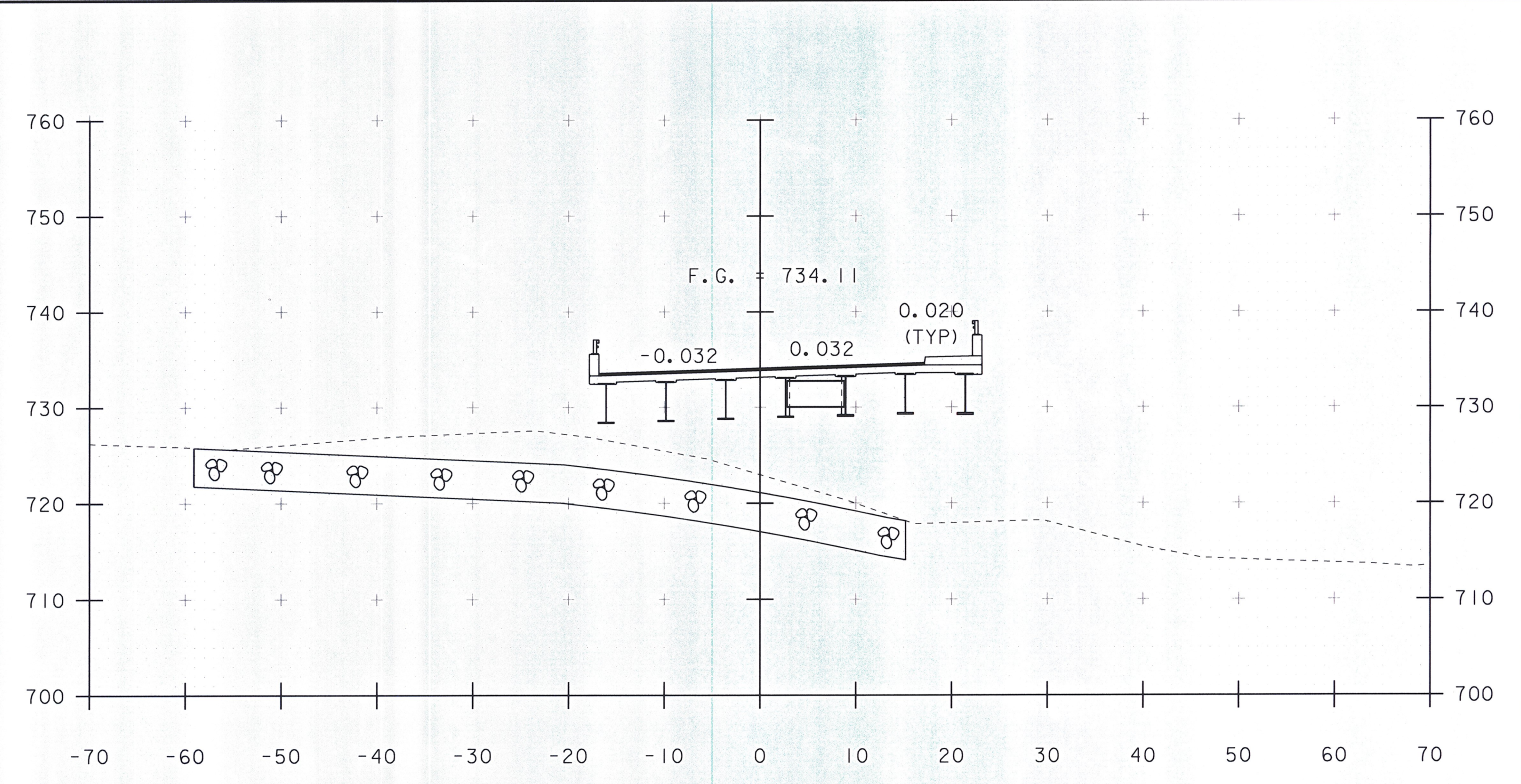
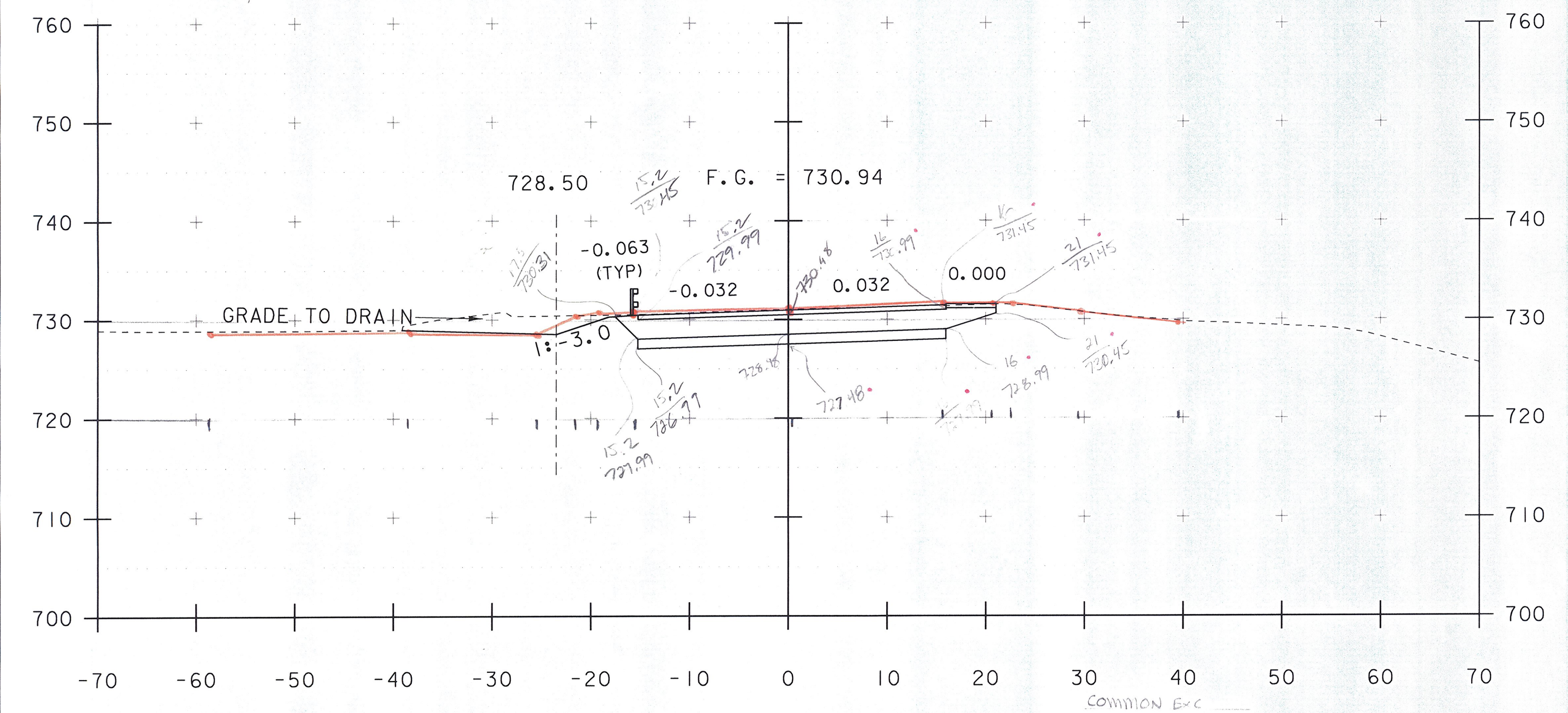


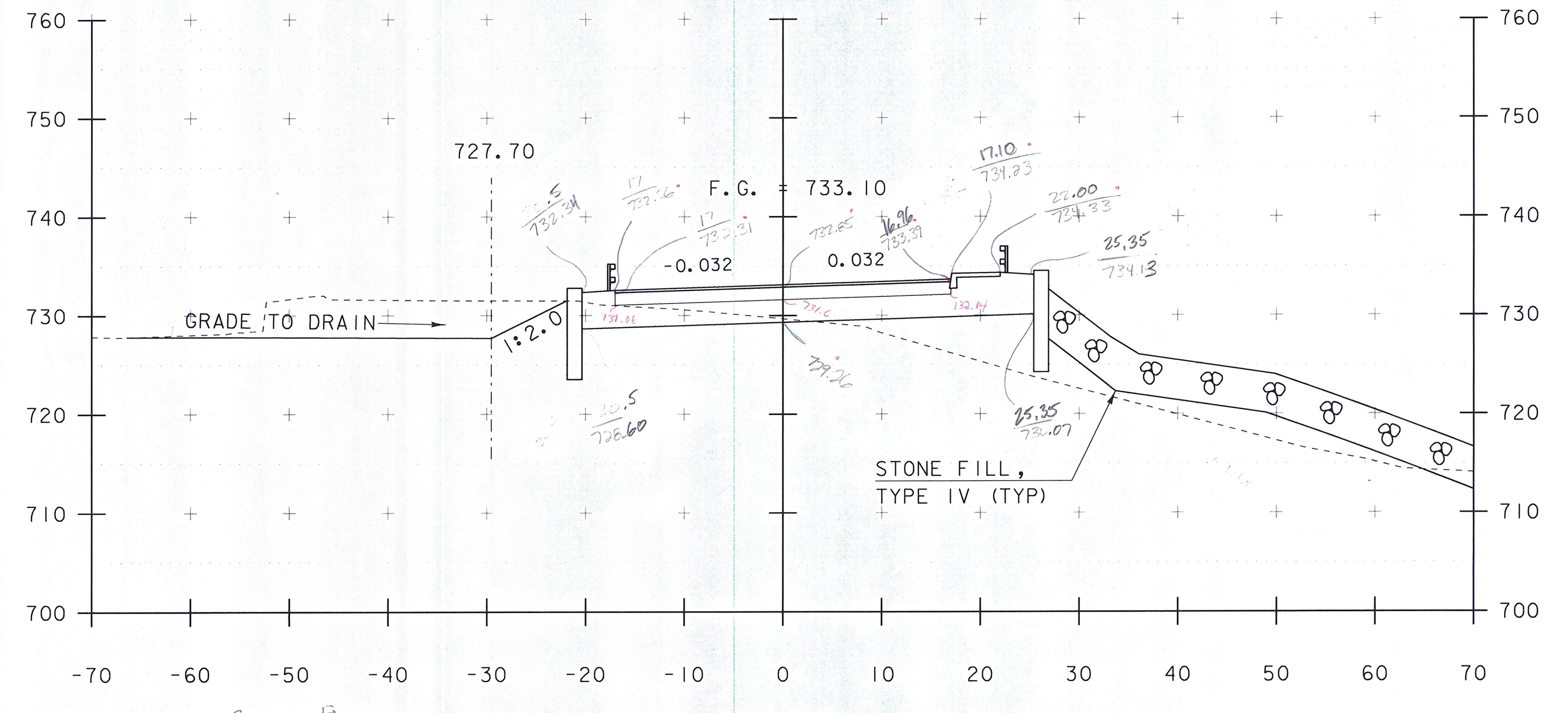
210+00



210+50  
BEGIN BRIDGE 210+30.17



209+75  
BEGIN PROJECT



210+25

SCALE 1" = 10'-0"

STA. 209+75 TO STA. 210+50

PROJECT NAME:	JAMAICA	PLOT DATE:	07-DEC-2012
PROJECT NUMBER:	ER-BRF 015-1 (23)	DRAWN BY:	K. FRIEDLAND
FILE NAME:	slb316.xs.dgn	CHECKED BY:	G. LAROCHE
PROJECT LEADER:	K. HIGGINS	SHEET	57 OF 82
DESIGNED BY:	G. LAROCHE		
MAINLINE SECTIONS 2			