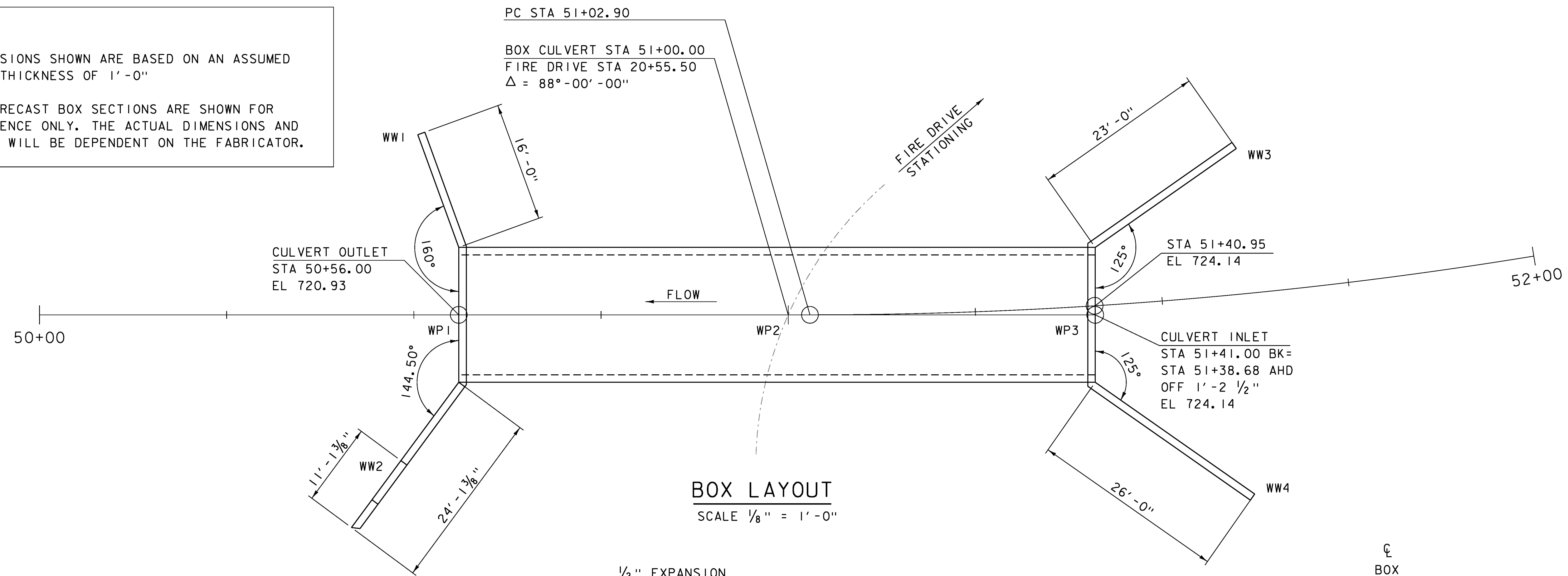
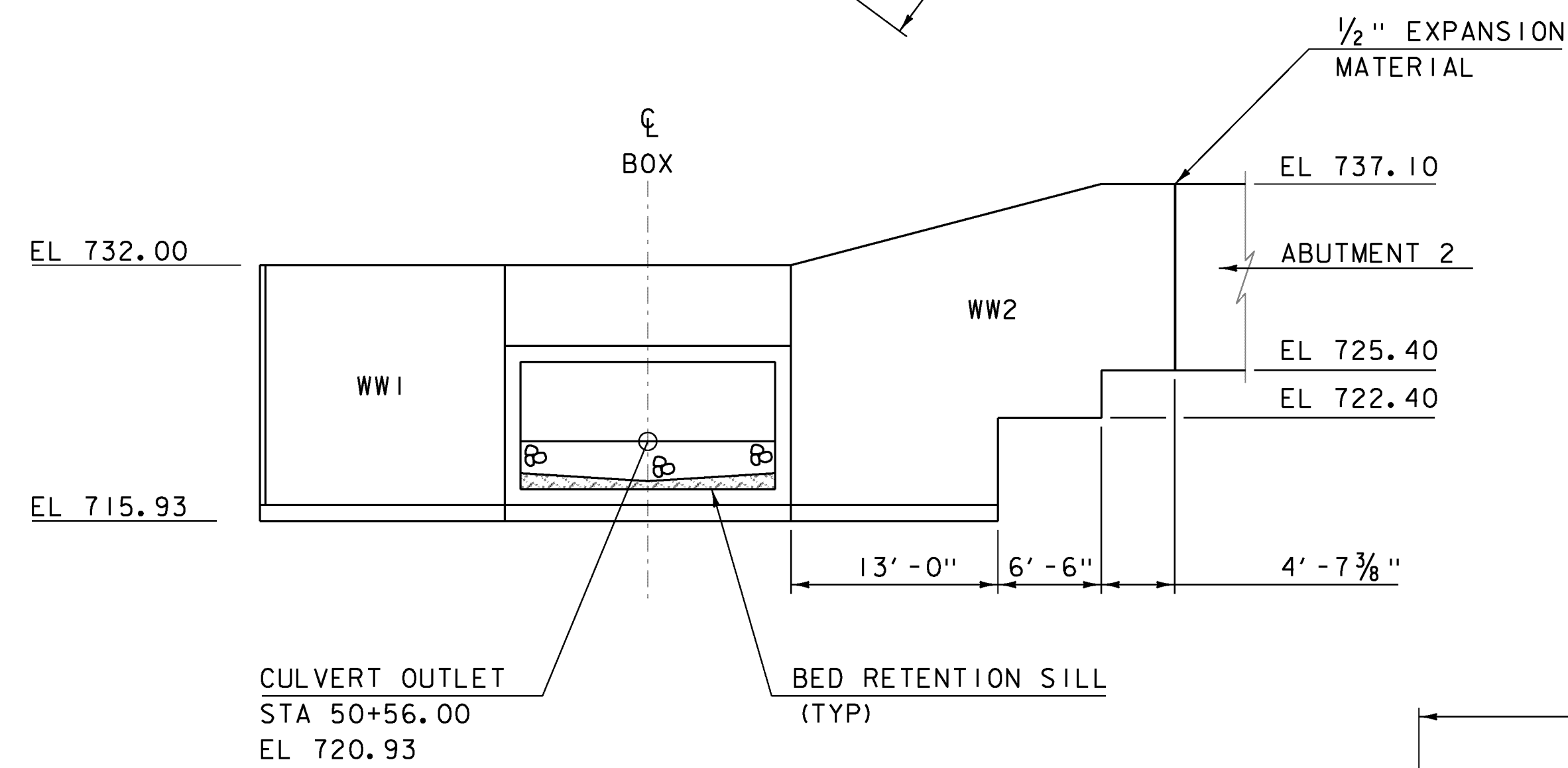


NOTES:

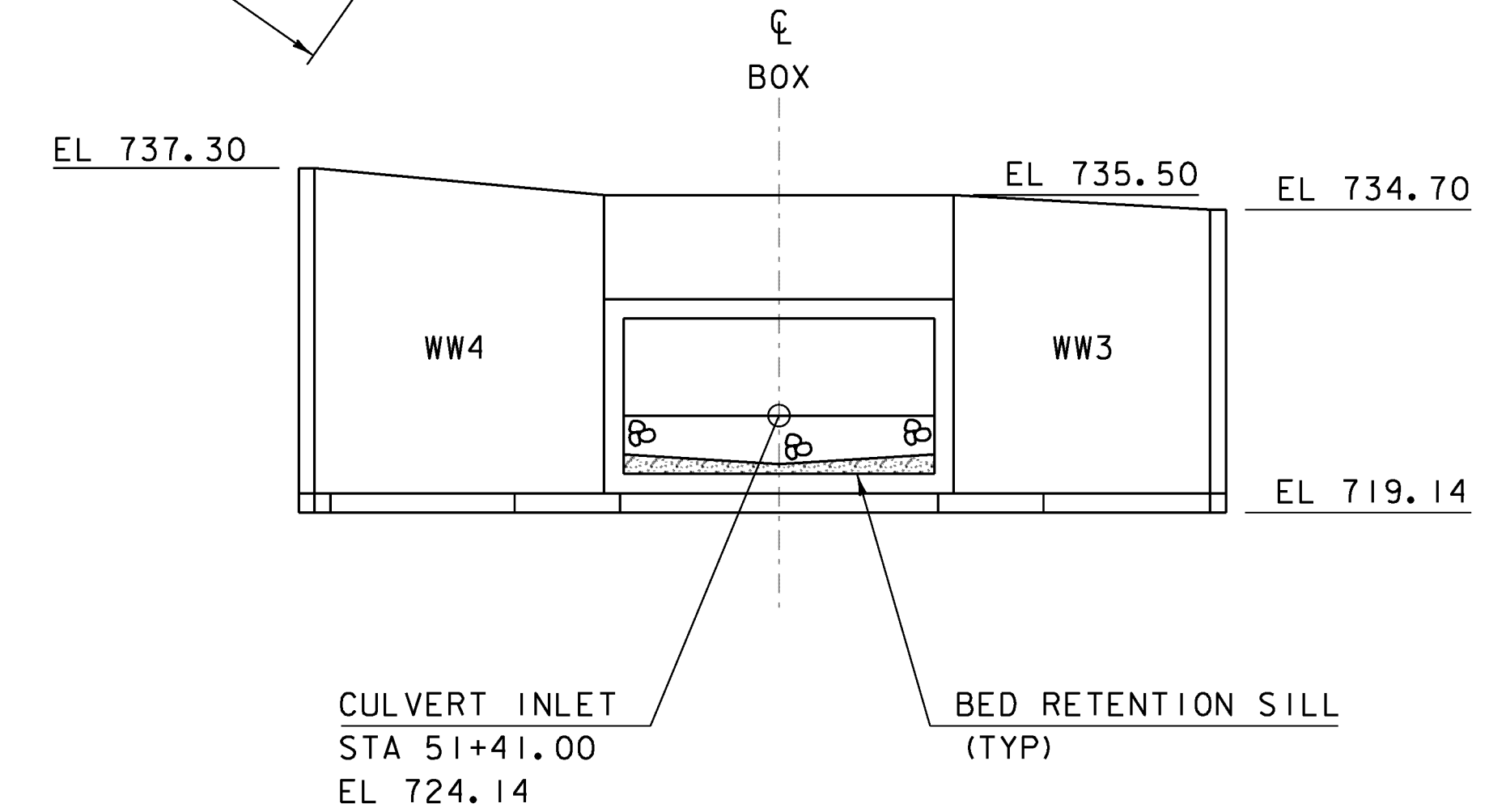
1. DIMENSIONS SHOWN ARE BASED ON AN ASSUMED WALL THICKNESS OF 1'-0"
2. THE PRECAST BOX SECTIONS ARE SHOWN FOR REFERENCE ONLY. THE ACTUAL DIMENSIONS AND SHAPE WILL BE DEPENDENT ON THE FABRICATOR.



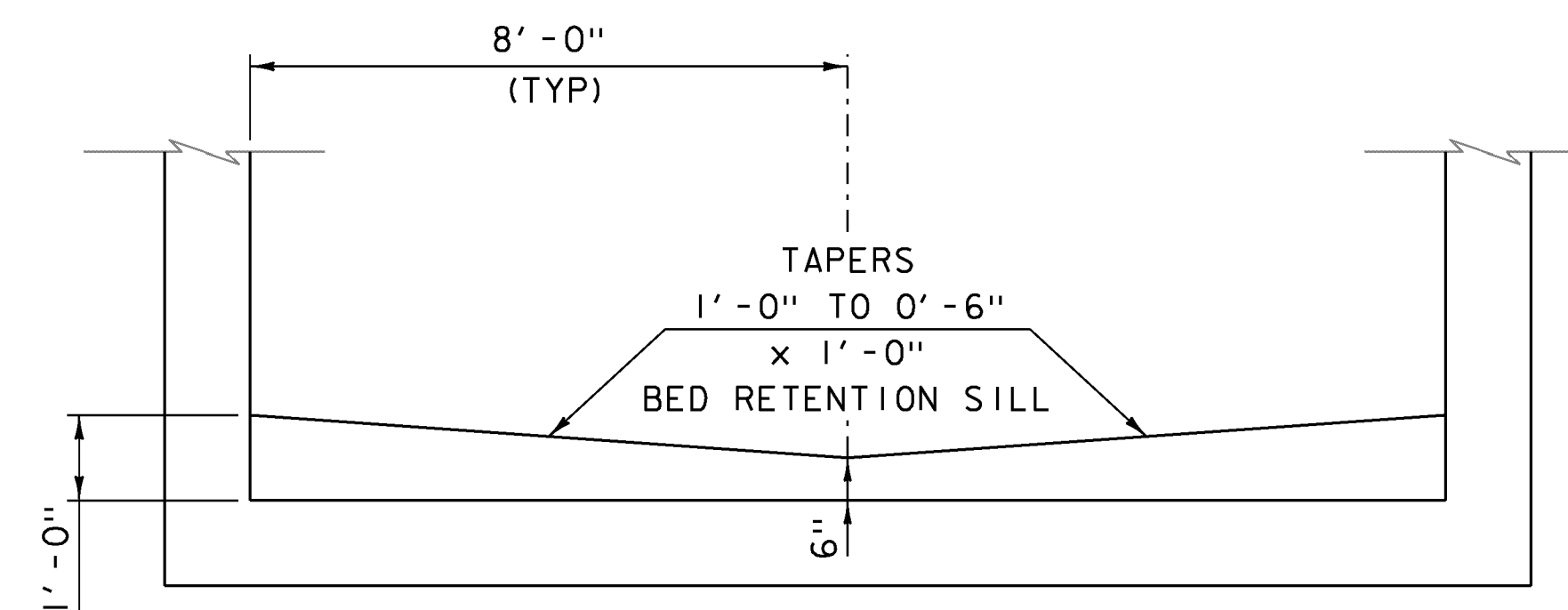
BOX LAYOUT
SCALE 1/8" = 1'-0"



OUTLET ELEVATION
SCALE 1/8" = 1'-0"



INLET ELEVATION
SCALE 1/8" = 1'-0"



- NOTES:**
1. SILLS TO BE SPACED A MAXIMUM OF EVERY 8'-0"
 2. FABRICATOR TO DETAIL BED RETENTION SILL CONNECTION.

BED RETENTION SILL DETAIL
NOT TO SCALE

PROJECT NAME: JAMAICA
PROJECT NUMBER: ER-BRF 015-1(23)

FILE NAME: s11b316box.dgn
PROJECT LEADER: K. HIGGINS
DESIGNED BY: G. LAROCHE
BOX LAYOUT

PLOT DATE: 07-DEC-2012
DRAWN BY: J. SALVATORI
CHECKED BY: J. SALVATORI
SHEET 43 OF 82