

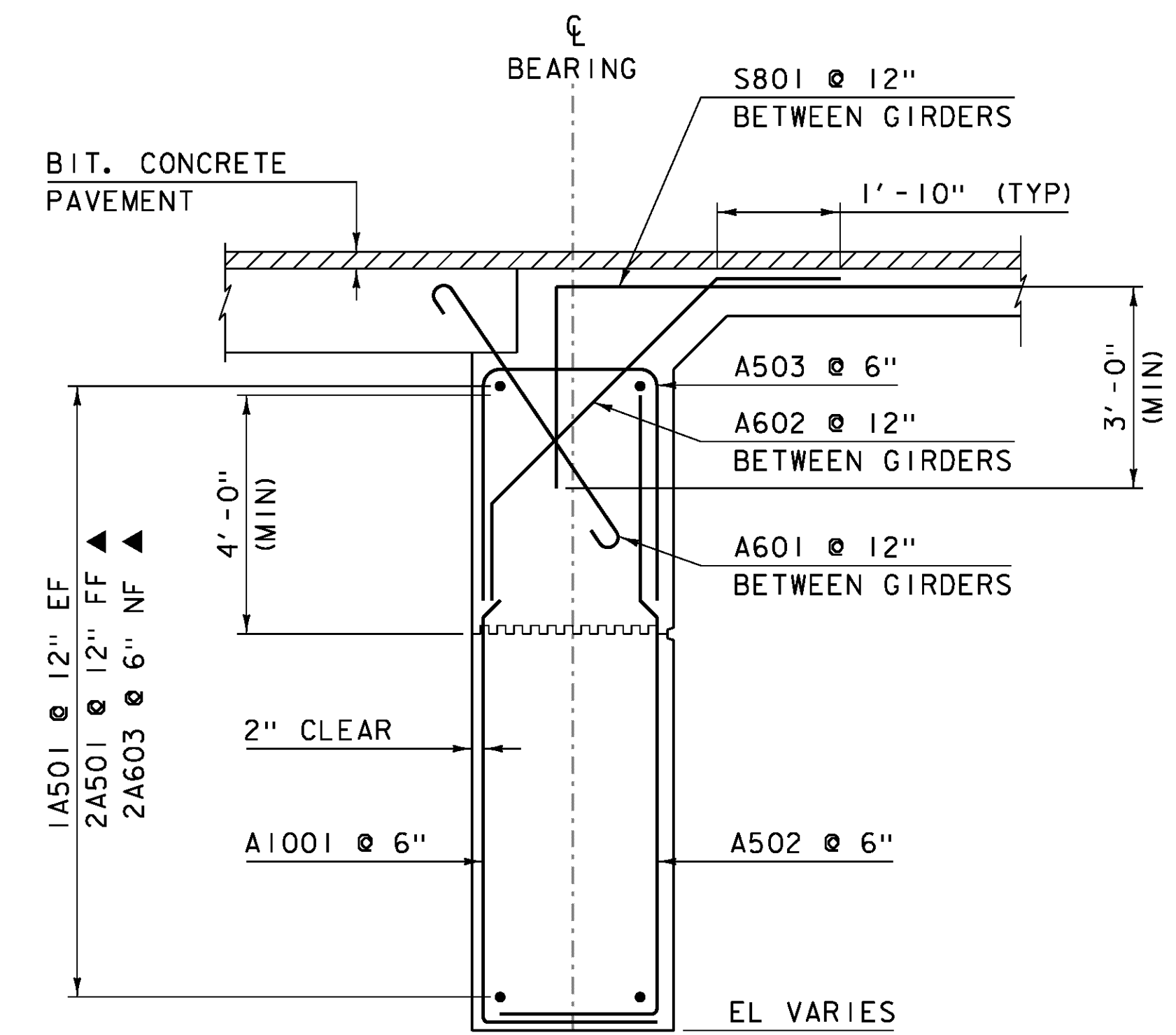
ABUTMENT 2 PLAN  
SCALE 1/4" = 1'-0"

REVIS 3-26-13

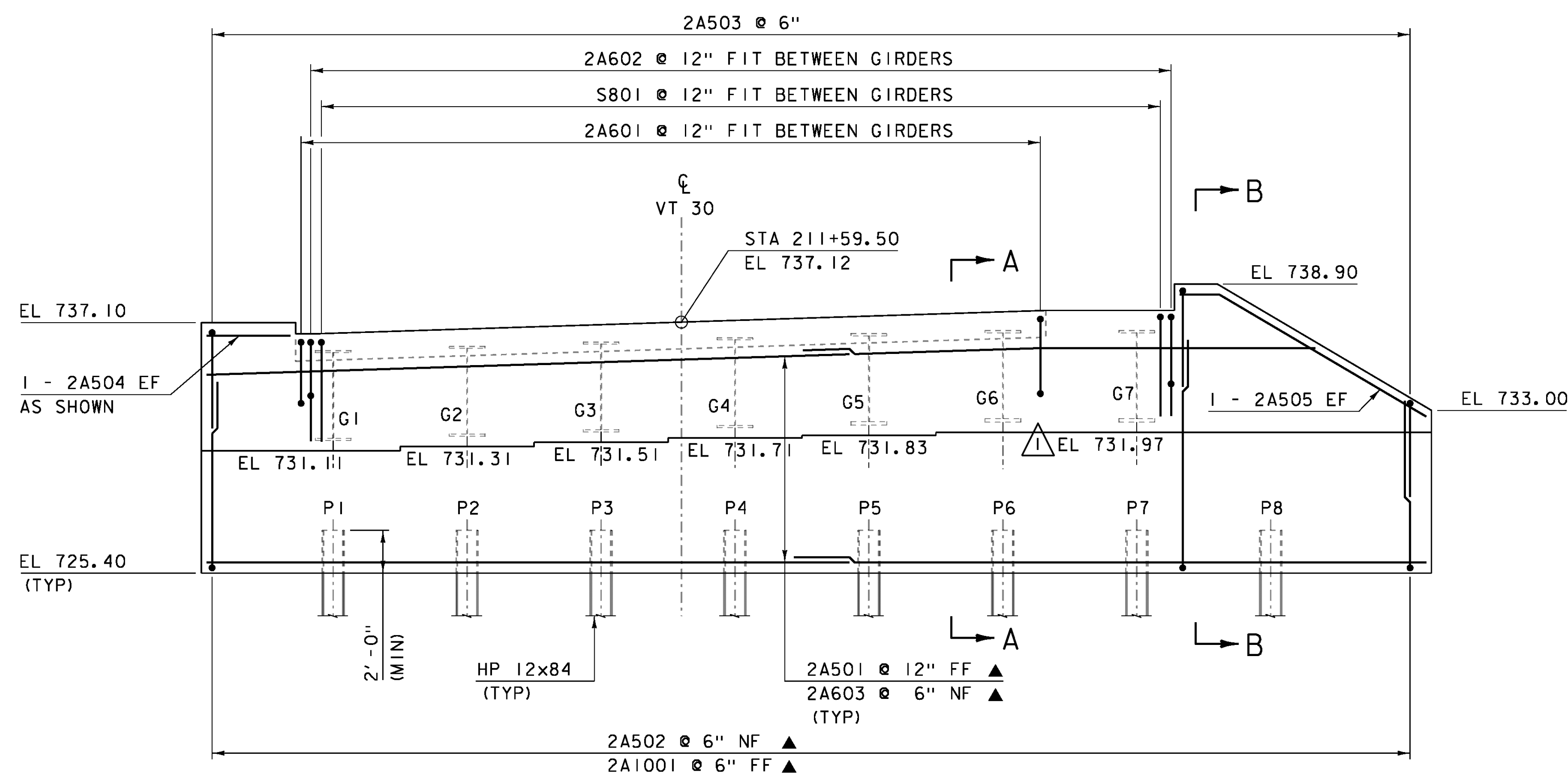
- REVISED BRIDGE SEAT ELEVATIONS FOR GIRDERS 6-7

REVIS 4-16-13

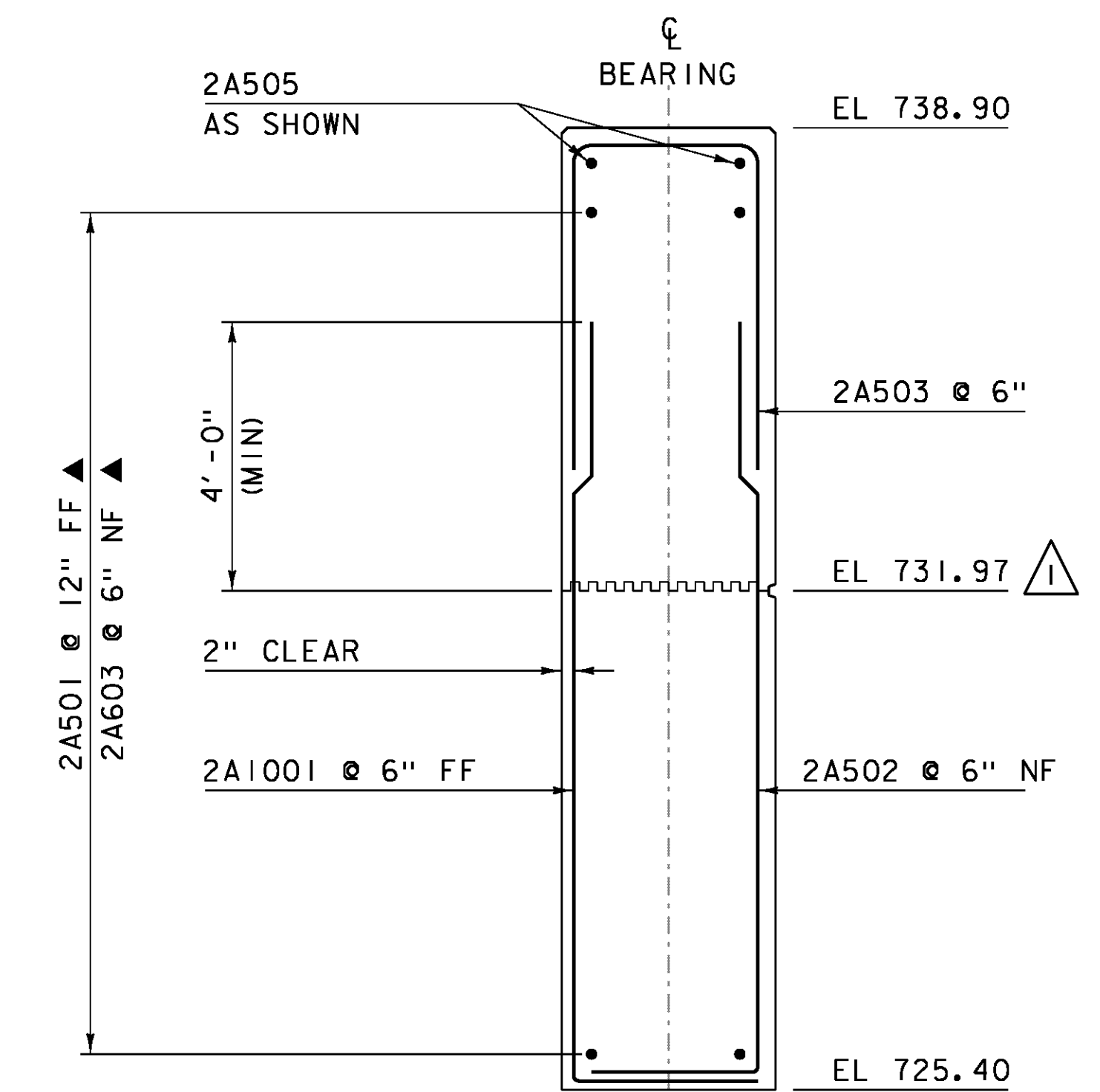
- REVISED APPROACH SLAB BRACKET WIDTH IN PLAN VIEW



SECTION A-A  
ABUTMENT REINFORCING TYPICAL  
SCALE 1/2" = 1'-0"



ABUTMENT 2 ELEVATION  
SCALE 1/4" = 1'-0"



SECTION B-B  
WINGWALL 4 REINFORCING TYPICAL  
SCALE 1/2" = 1'-0"

NOTE:

NF = NEAR FACE  
FF = FAR FACE  
EF = EACH FACE  
▲ = CUT TO FIT IN FIELD  
3" CLEAR, UNLESS OTHERWISE SPECIFIED ON THE PLANS.  
2'-7" BAR LAP UNLESS OTHERWISE SPECIFIED ON THE PLANS.

PROJECT NAME: JAMAICA  
PROJECT NUMBER: ER-BRF 015-1(23)

FILE NAME: sllb316sub.dgn  
PROJECT LEADER: K. HIGGINS  
DESIGNED BY: G. LAROCHE  
ABUTMENT 2

PLOT DATE: 16-APR-2013  
DRAWN BY: K. FRIEDLAND  
CHECKED BY: W. LAMMER  
SHEET 40 OF 82