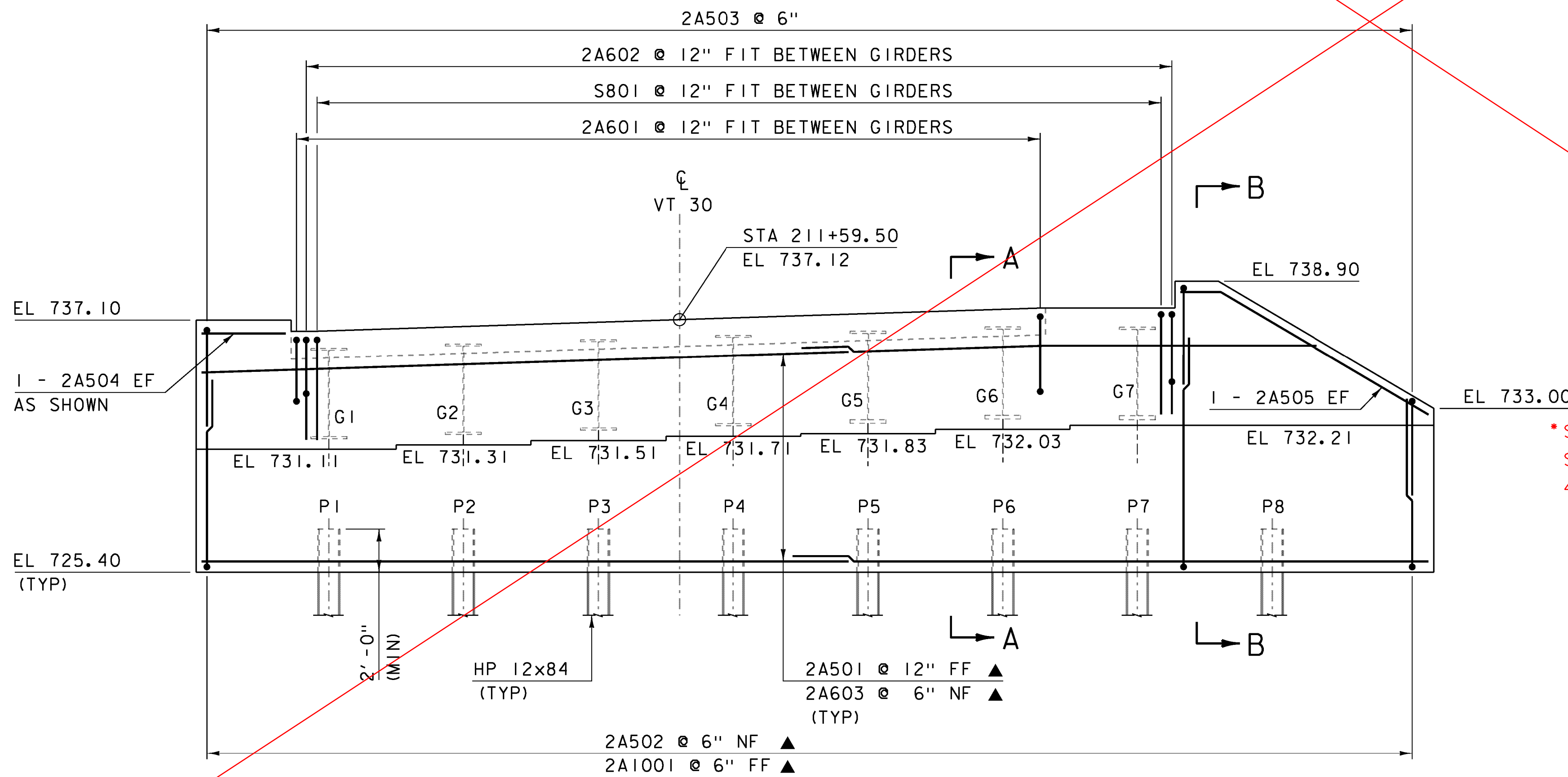


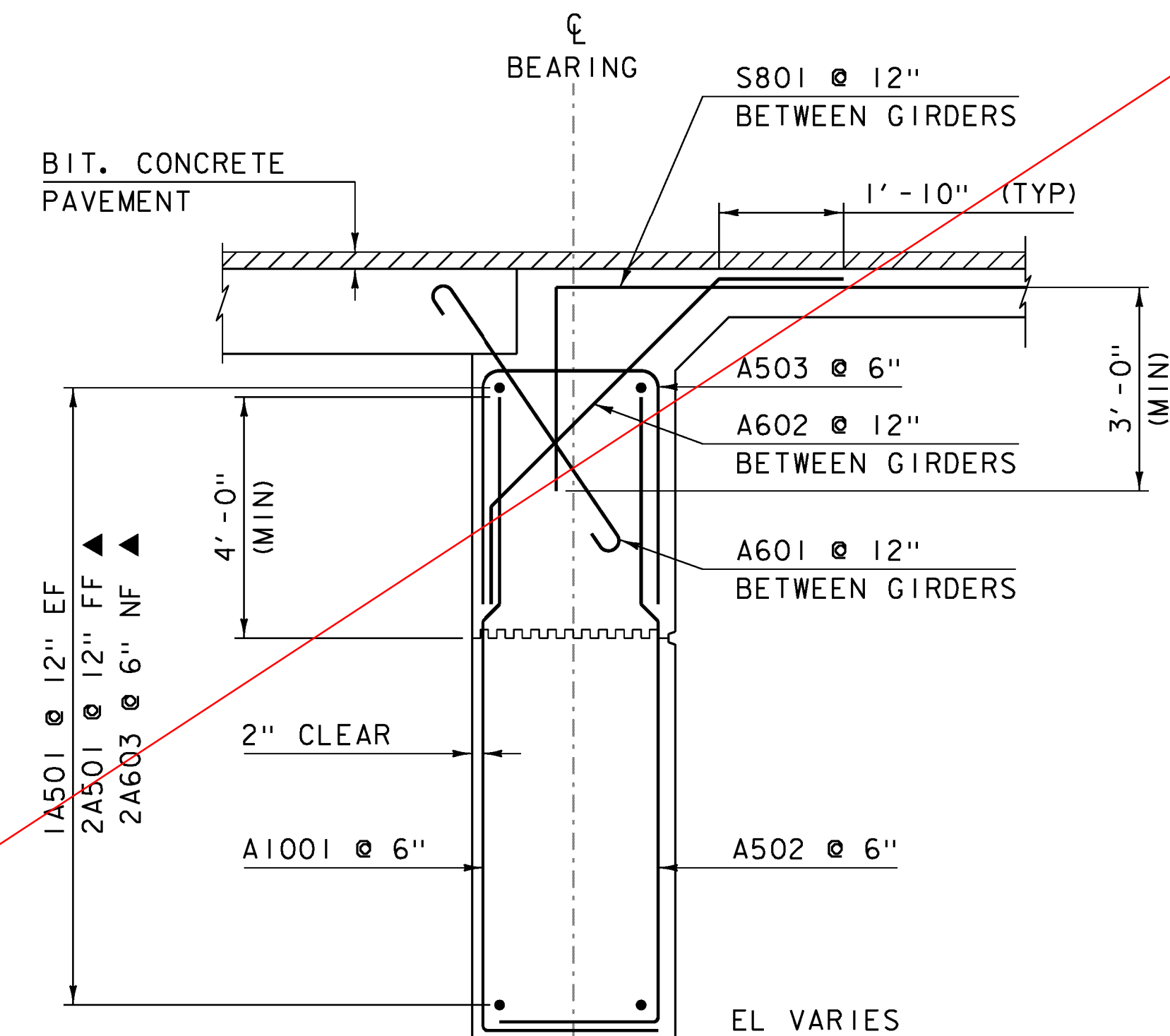
ABUTMENT 2 PLAN

SCALE 1/4" = 1'-0"



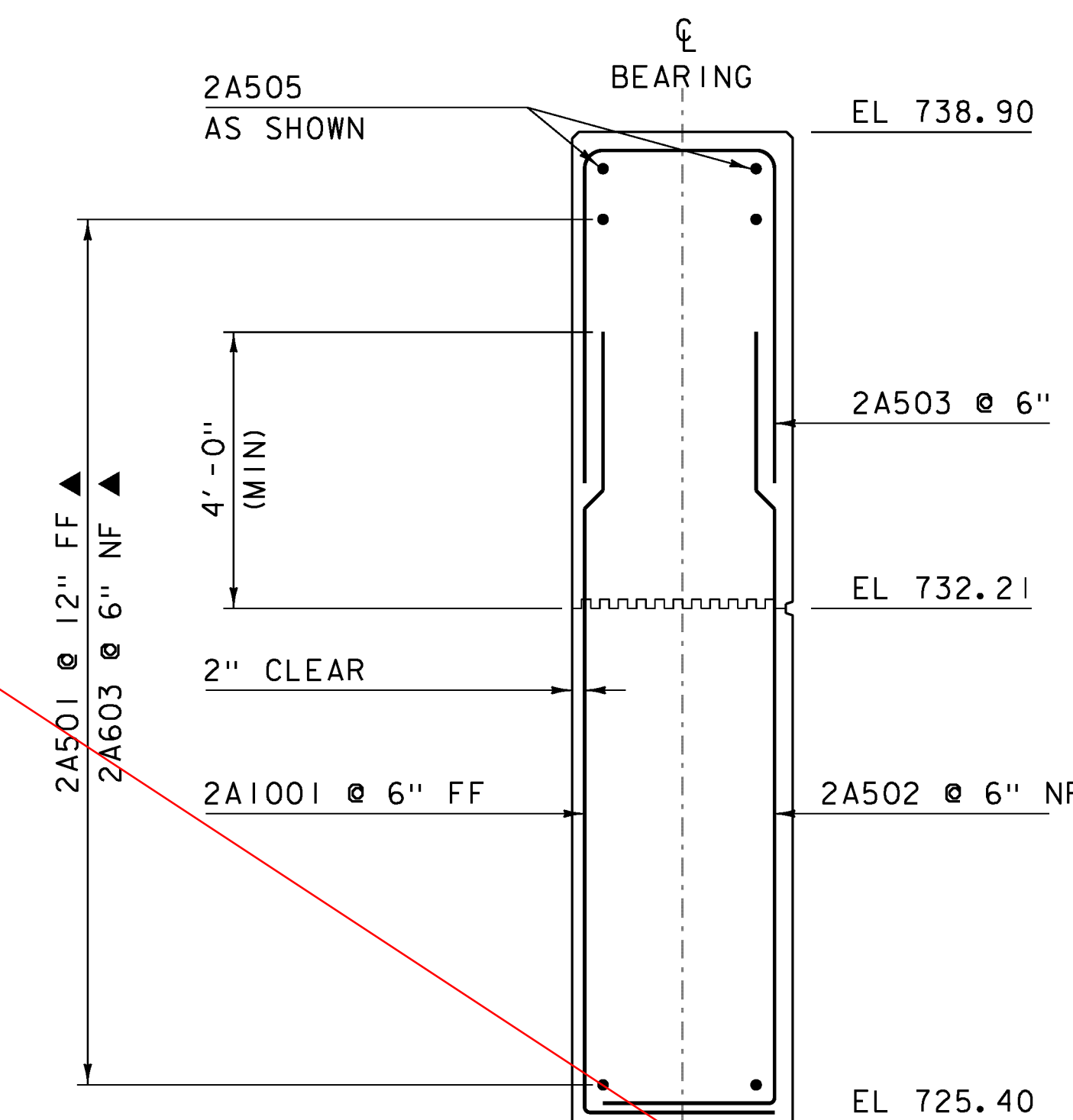
ABUTMENT 2 ELEVATION

SCALE 1/4" = 1'-0"



**SECTION A-A
ABUTMENT REINFORCING TYPICAL**

SCALE 1/2" = 1'-0"



**SECTION B-B
WINGWALL 4 REINFORCING TYPICAL**

SCALE 1/2" = 1'-0"

* SEE ATTACHED REVISION SHEET 39R 4-16-16

NOTE:
 NF = NEAR FACE
 FF = FAR FACE
 EF = EACH FACE
 ▲ = CUT TO FIT IN FIELD
 3" CLEAR, UNLESS OTHERWISE SPECIFIED ON THE PLANS.
 2'-7" BAR LAP UNLESS OTHERWISE SPECIFIED ON THE PLANS.

PROJECT NAME: JAMAICA
 PROJECT NUMBER: ER-BRF 015-1(23)

FILE NAME: s1lb316sub.dgn
 PROJECT LEADER: K. HIGGINS
 DESIGNED BY: G. LAROCHE
 ABUTMENT 2

PLOT DATE: 14-DEC-2012
 DRAWN BY: K. FRIEDLAND
 CHECKED BY: W. LAMMER
 SHEET 40 OF 82