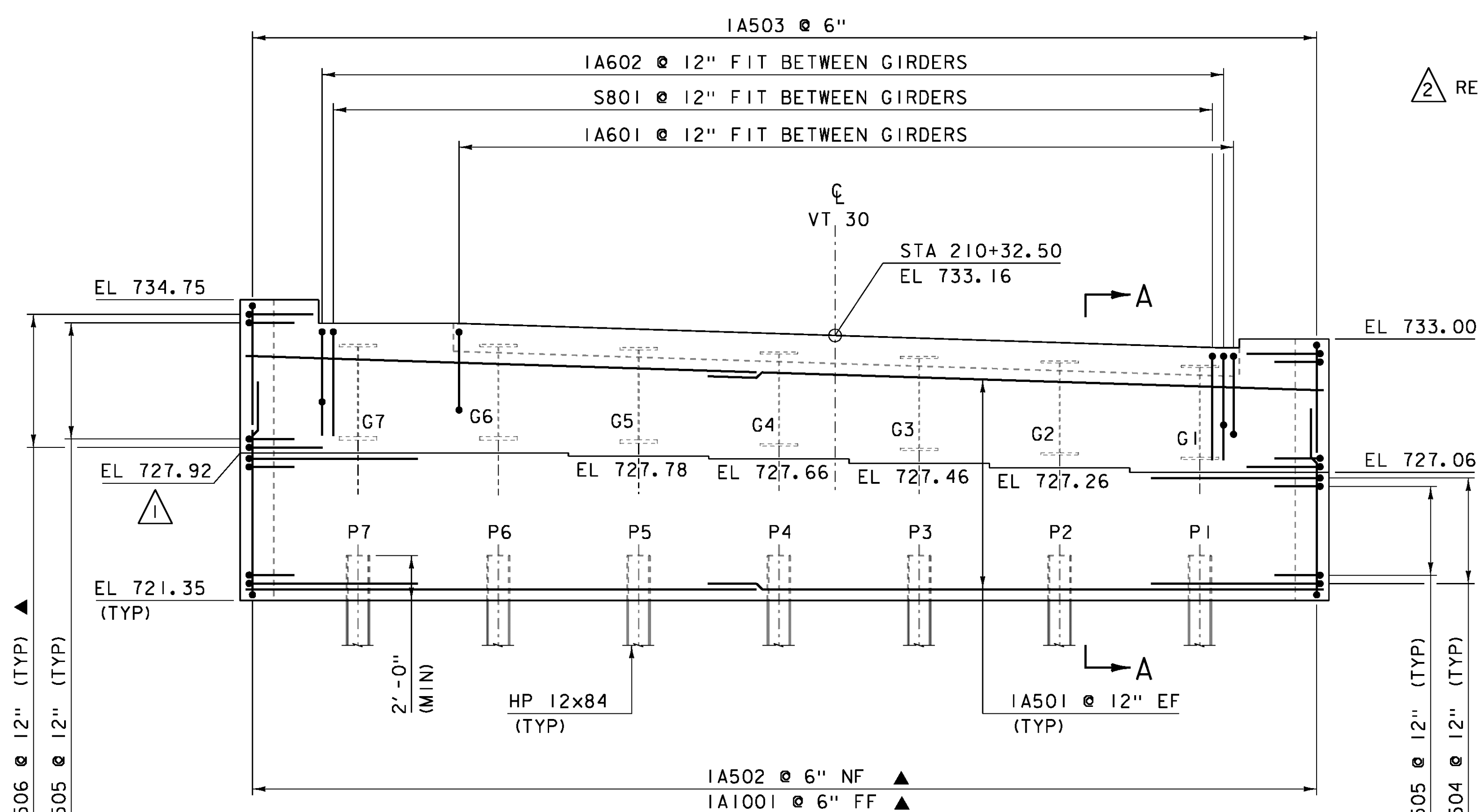
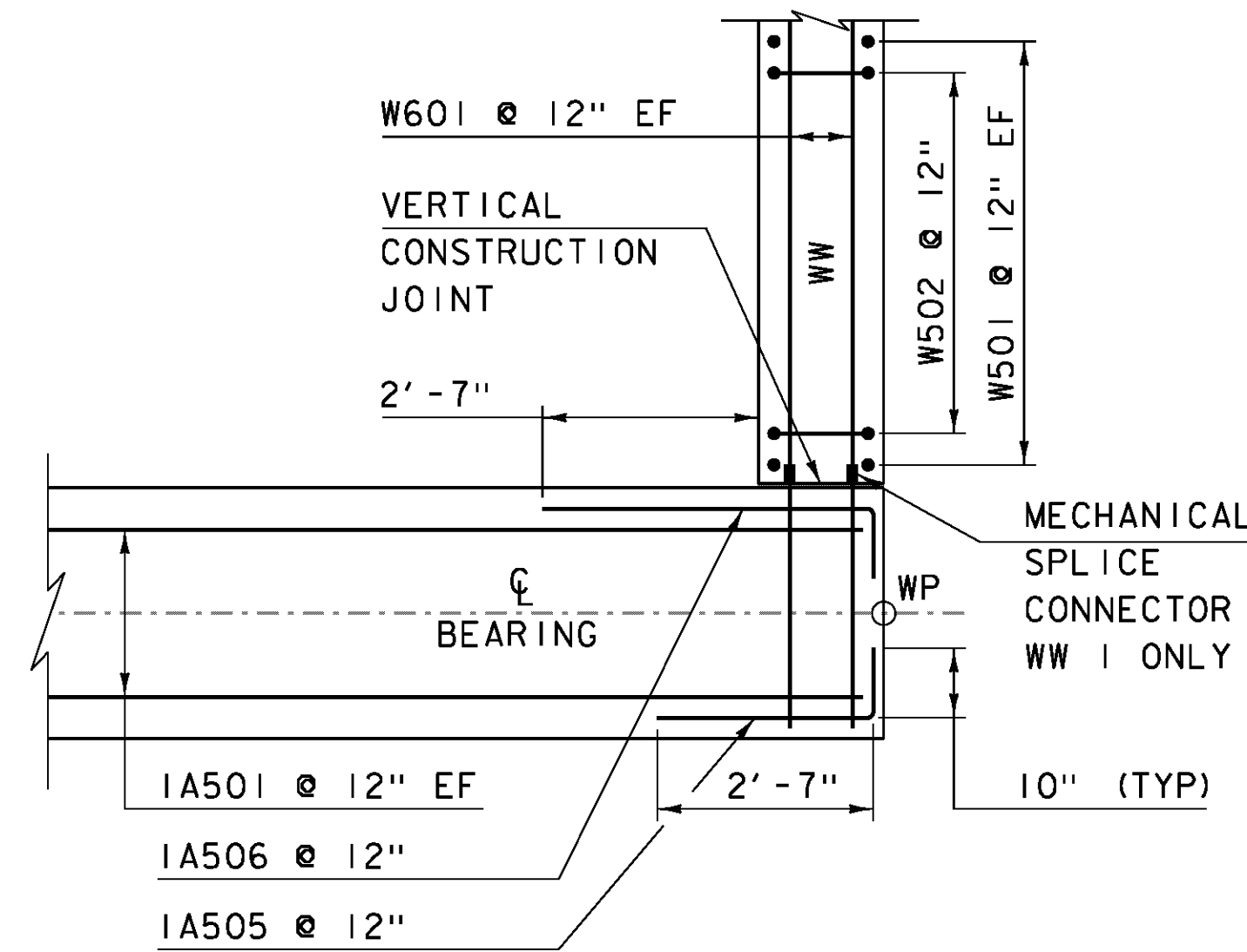


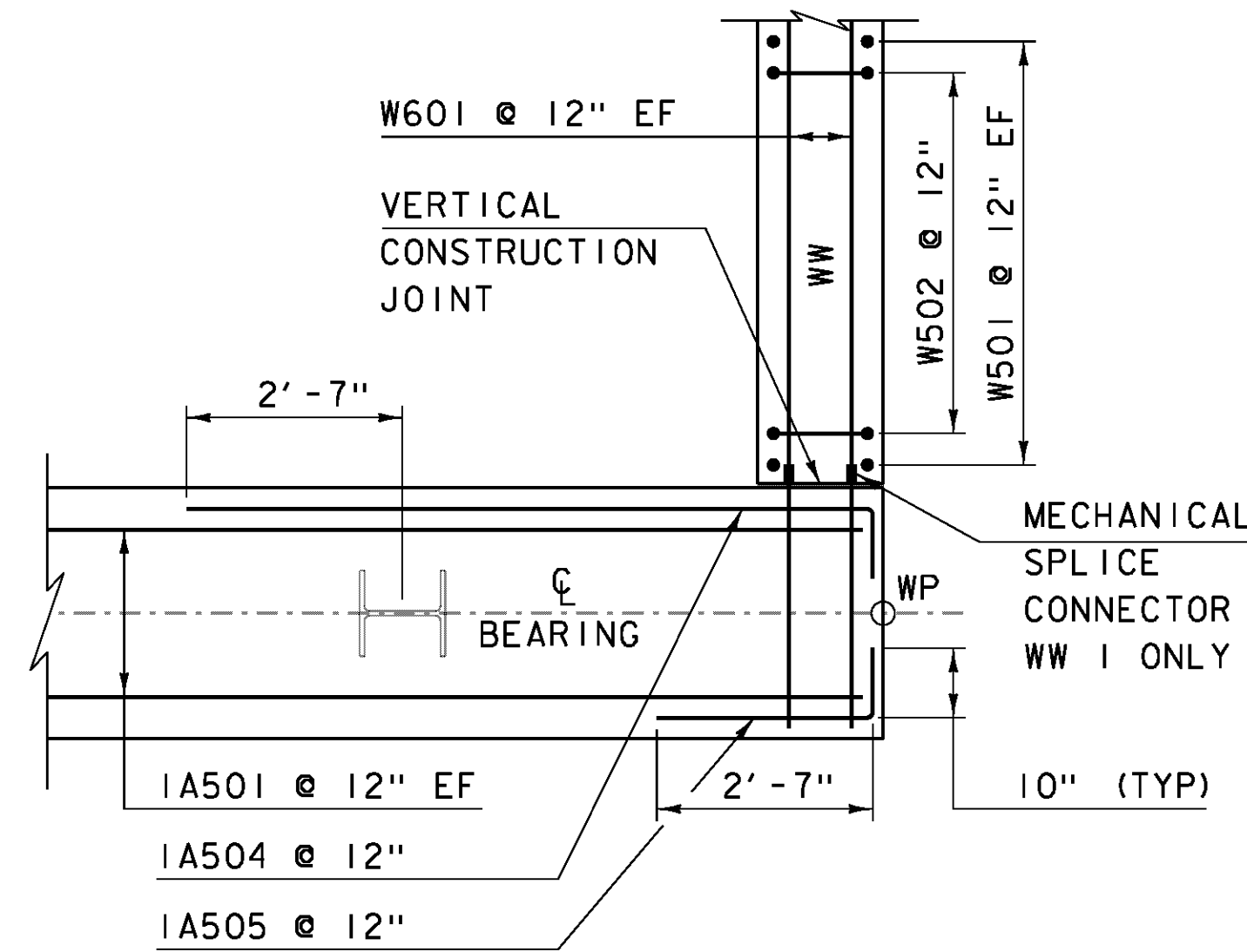
ABUTMENT I PLAN
SCALE 1/4" = 1'-0"



ABUTMENT I ELEVATION
SCALE 1/4" = 1'-0"

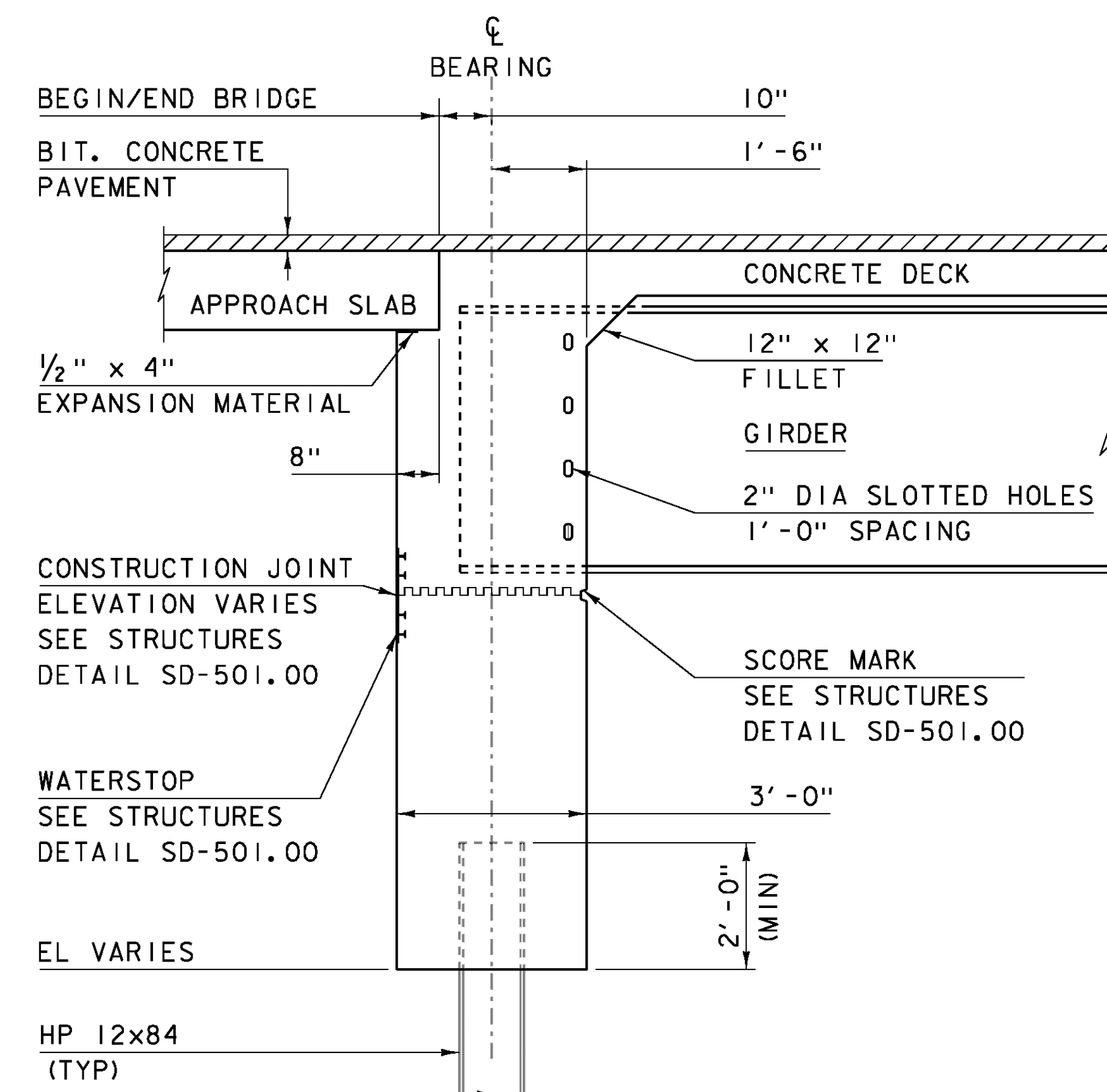


CORNER DETAIL ABOVE BRIDGE SEAT
SCALE 1/2" = 1'-0"



CORNER DETAIL BELOW BRIDGE SEAT
SCALE 1/2" = 1'-0"

- ▲ REVISED 3-26-13
- REVISED BRIDGE SEAT ELEVATIONS FOR GIRDERS 6-7
- ▲ REVISED 4-16-13
- REVISED APPROACH SLAB BRACKET WIDTH IN PLAN VIEW



SECTION A-A ABUTMENT TYPICAL SECTION
SCALE 1/2" = 1'-0"

NOTE:
NF = NEAR FACE
FF = FAR FACE
EF = EACH FACE
▲ = CUT TO FIT IN FIELD
3" CLEAR, UNLESS OTHERWISE SPECIFIED ON THE PLANS.
2'-7" BAR LAP UNLESS OTHERWISE SPECIFIED ON THE PLANS.

PROJECT NAME: JAMAICA
PROJECT NUMBER: ER-BRF 015-1(23)

FILE NAME: slib316sub.dgn
PROJECT LEADER: K. HIGGINS
DESIGNED BY: G. LAROCHE
ABUTMENT I

PLOT DATE: 16-APR-2013
DRAWN BY: K. FRIEDLAND
CHECKED BY: W. LAMMER
SHEET 39 OF 82