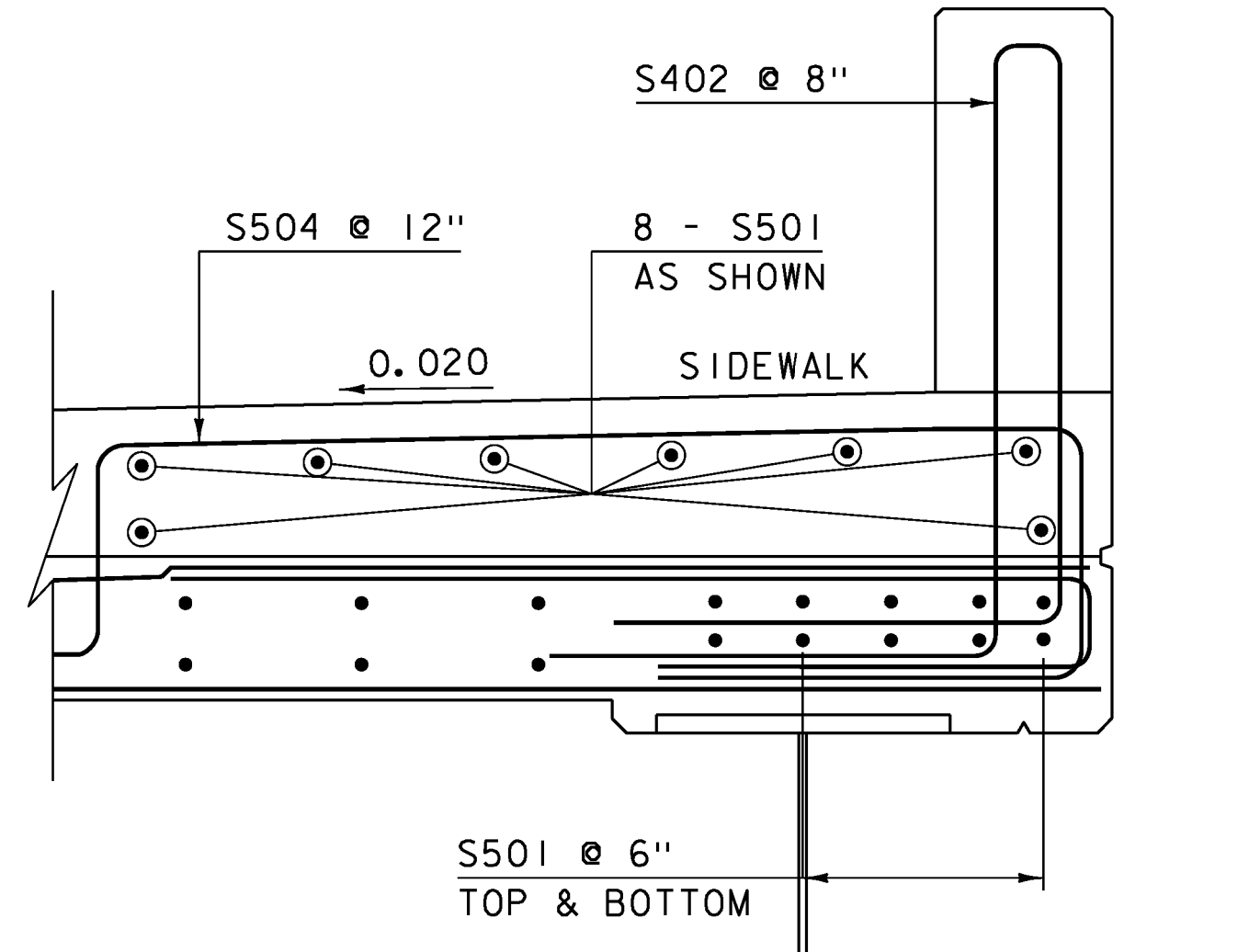


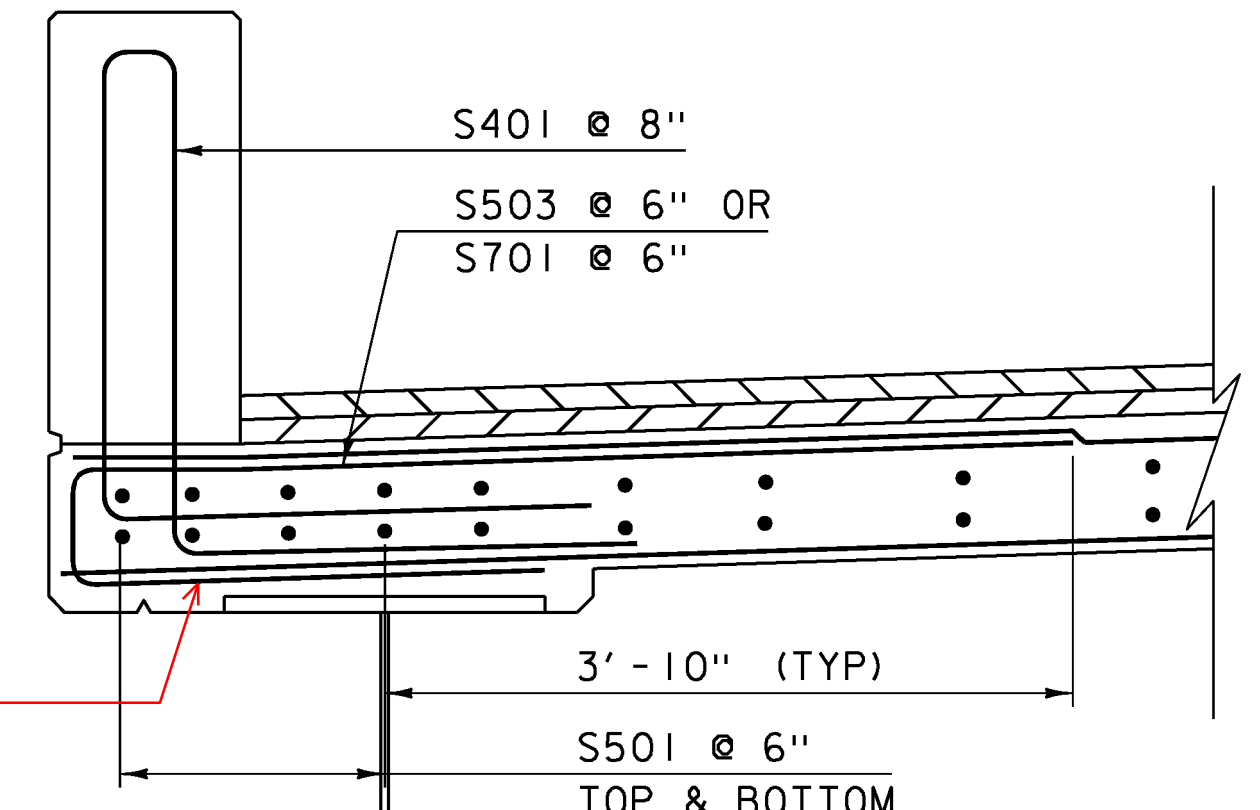
DECK REINFORCING PLAN

SCALE 1/8" = 1'-0"



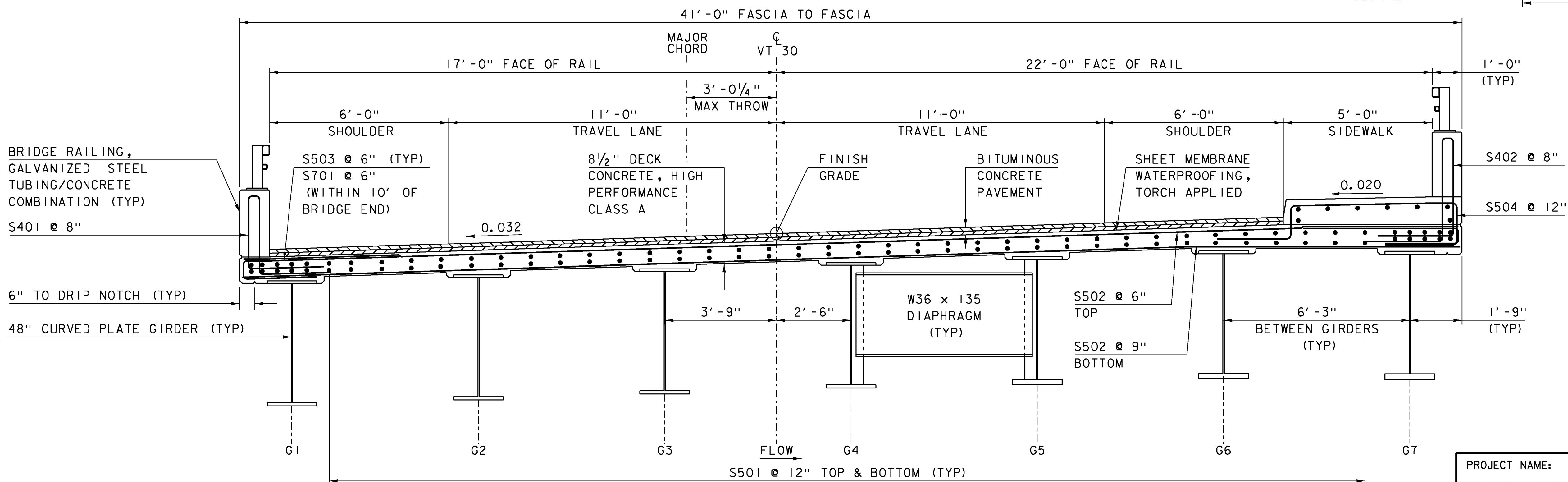
TYPICAL OVERHANG REINFORCEMENT WITH SIDEWALK

SCALE 1" = 1'-0"



TYPICAL OVERHANG REINFORCEMENT

SCALE 1" = 1'-0"



TYPICAL DECK REINFORCEMENT

SCALE 1/2" = 1'-0"

BOTTOM LEG LENGTH 12" PER DESIGNER

NOTE:
 NF = NEAR FACE
 FF = FAR FACE
 EF = EACH FACE
 ▲ = CUT TO FIT IN FIELD
 3" CLEAR, UNLESS OTHERWISE SPECIFIED ON THE PLANS.
 3'-0" BAR LAP UNLESS OTHERWISE SPECIFIED ON THE PLANS.

| | |
|-----------------------|------------------|
| PROJECT NAME: | JAMAICA |
| PROJECT NUMBER: | ER-BRF 015-1(23) |
| FILE NAME: | s1lb316sup.dgn |
| PROJECT LEADER: | K. HIGGINS |
| DESIGNED BY: | G. LAROCHE |
| DECK REINFORCING PLAN | |
| PLOT DATE: | 07-DEC-2012 |
| DRAWN BY: | K. FRIEDLAND |
| CHECKED BY: | J. LACROIX |
| SHEET | 34 OF 82 |