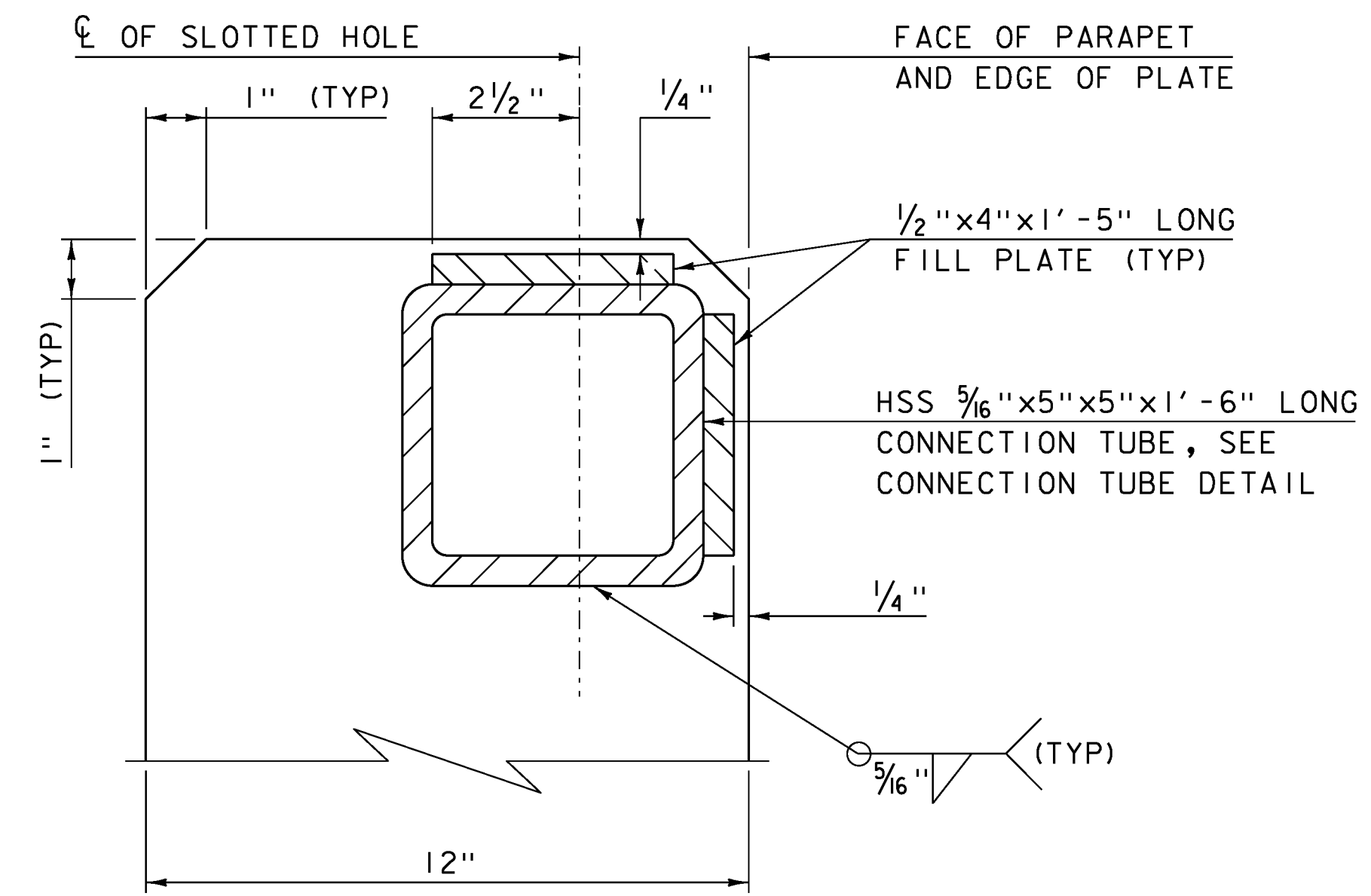
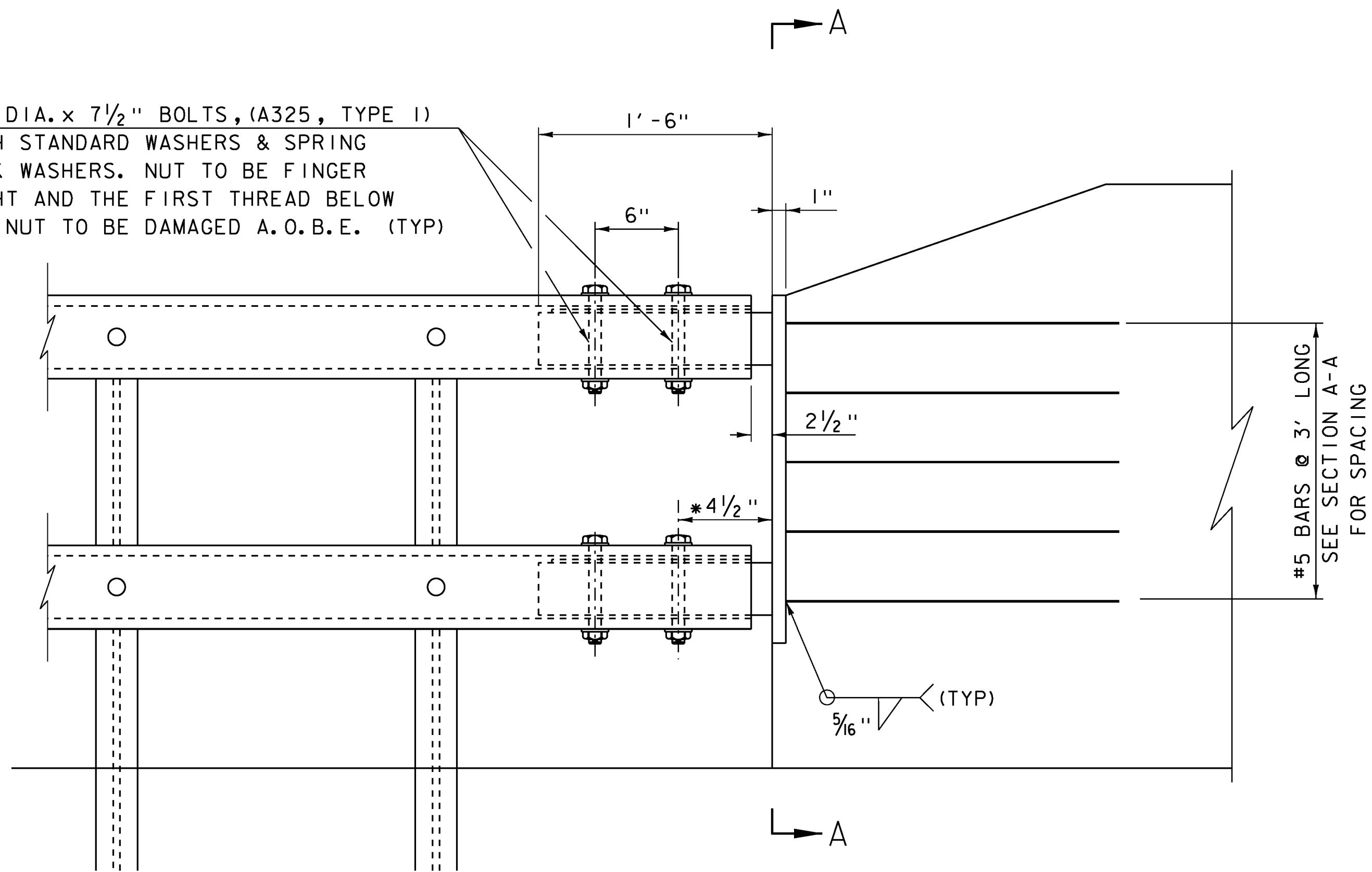


SECTION A-A
NOT TO SCALE

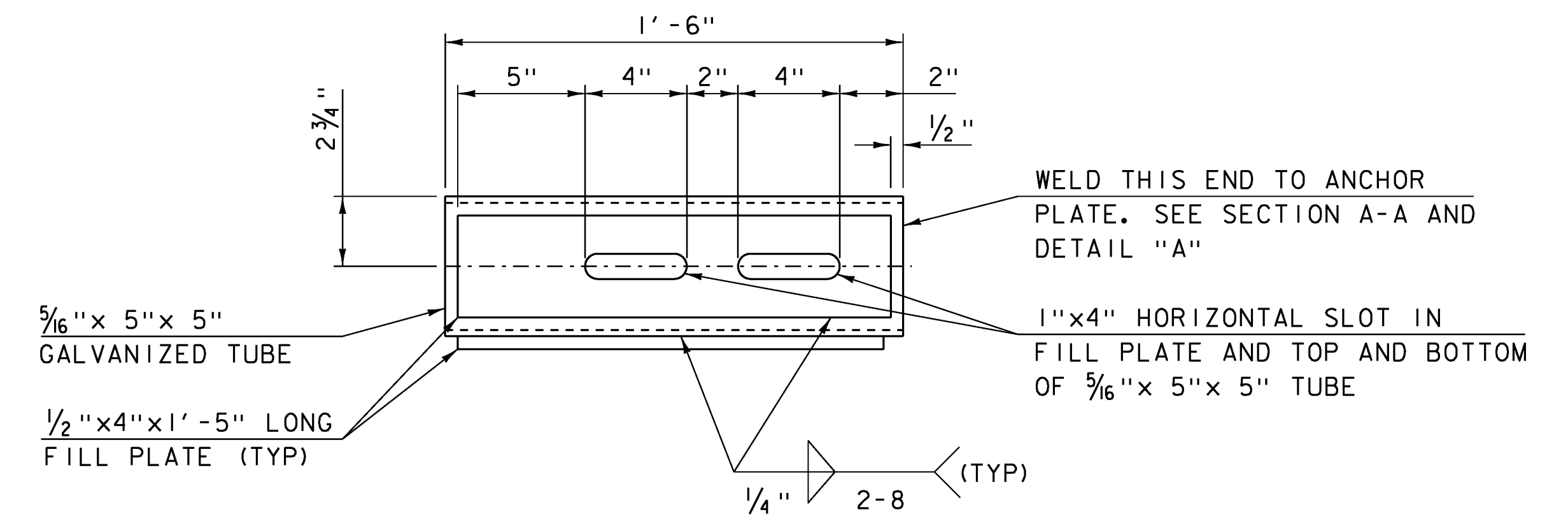


DETAIL "A"
NOT TO SCALE

3/4" DIA. x 7/2" BOLTS, (A325, TYPE 1)
WITH STANDARD WASHERS & SPRING
LOCK WASHERS. NUT TO BE FINGER
TIGHT AND THE FIRST THREAD BELOW
THE NUT TO BE DAMAGED A.O.B.E. (TYP)



APPROACH RAIL DETAIL
WW1 - WW4
NOT TO SCALE



CONNECTION TUBE PLATE
PLAN VIEW
NOT TO SCALE

* AT 68°F (INCREASE DIMENSIONS IF
MORE THAN 1 1/2" OF EXPANSION
IS ANTICIPATED).

PROJECT NAME: JAMAICA
PROJECT NUMBER: ER-BRF 015-1(23)

FILE NAME: s11b316r raildet.dgn
PROJECT LEADER: K. HIGGINS
DESIGNED BY: G. LAROCHE
APPROACH RAIL DETAILS I

PLOT DATE: 07-DEC-2012
DRAWN BY: K. FRIEDLAND
CHECKED BY: J. SALVATORI
SHEET 28 OF 82