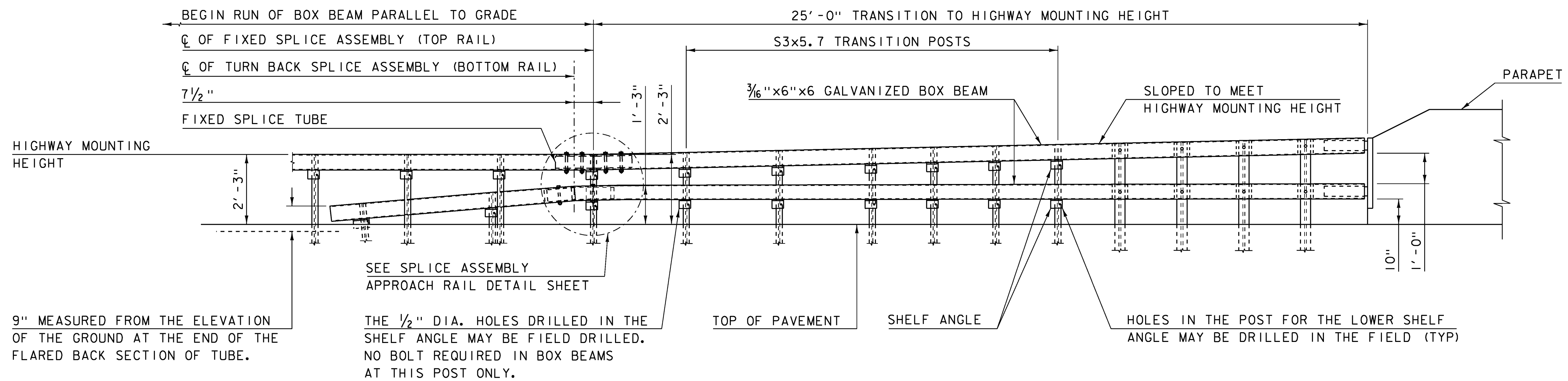


**APPROACH RAIL PLAN @ WW1**

(WW3 SIMILAR BUT CURVED)  
NOT TO SCALE



**APPROACH RAIL ELEVATION**

NOT TO SCALE

PROJECT NAME: JAMAICA  
PROJECT NUMBER: ER-BRF 015-1(23)

FILE NAME: s11b316raildet.dgn  
PROJECT LEADER: K. HIGGINS  
DESIGNED BY: G. LAROCHE  
APPROACH RAIL WW1 AND WW3

PLOT DATE: 07-DEC-2012  
DRAWN BY: G. LAROCHE  
CHECKED BY: J. SALVATORI  
SHEET 26 OF 82