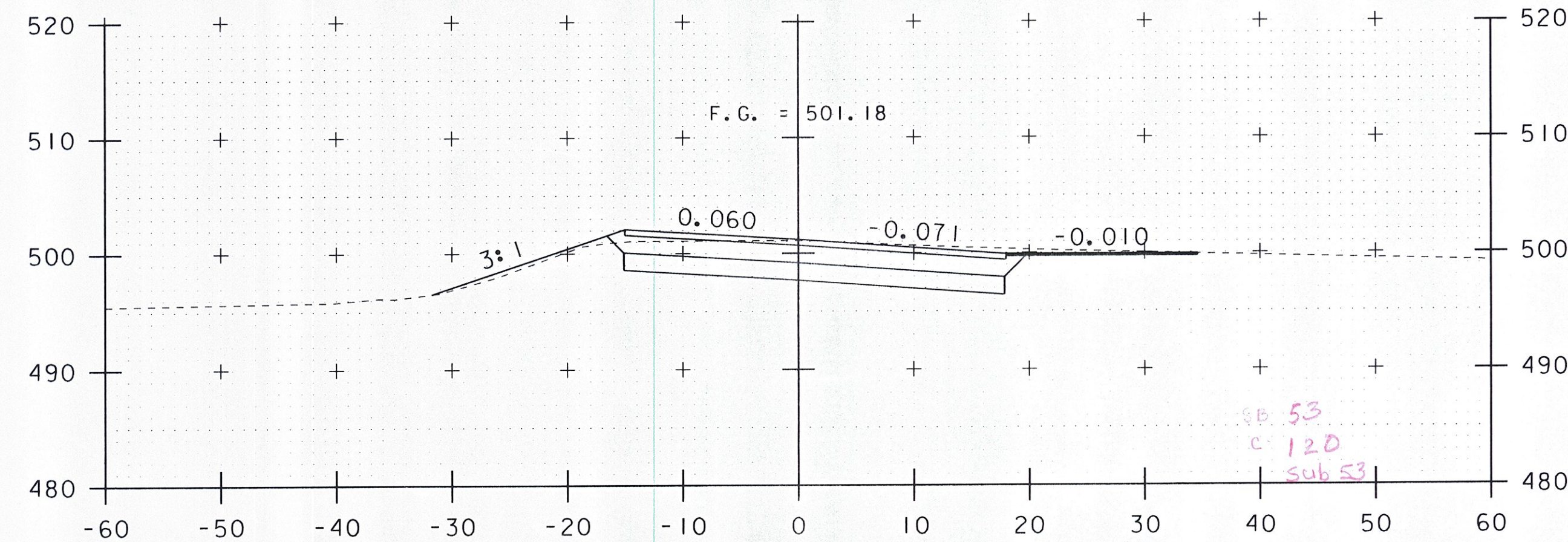
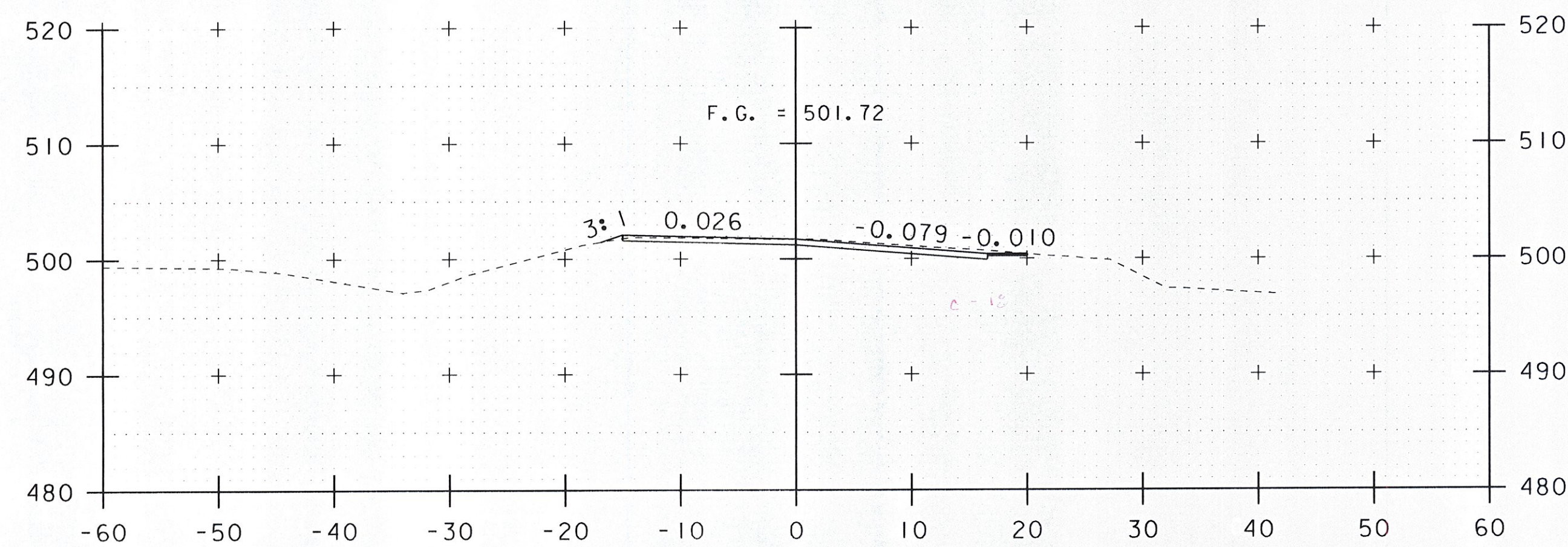


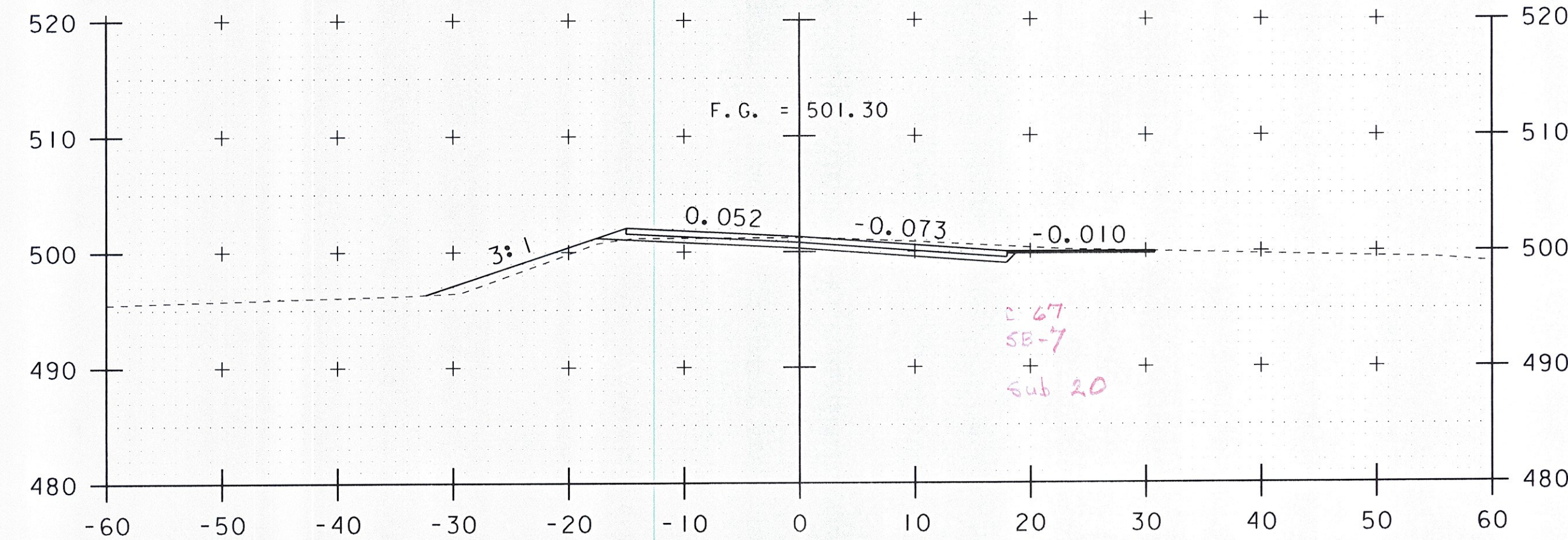
3+50



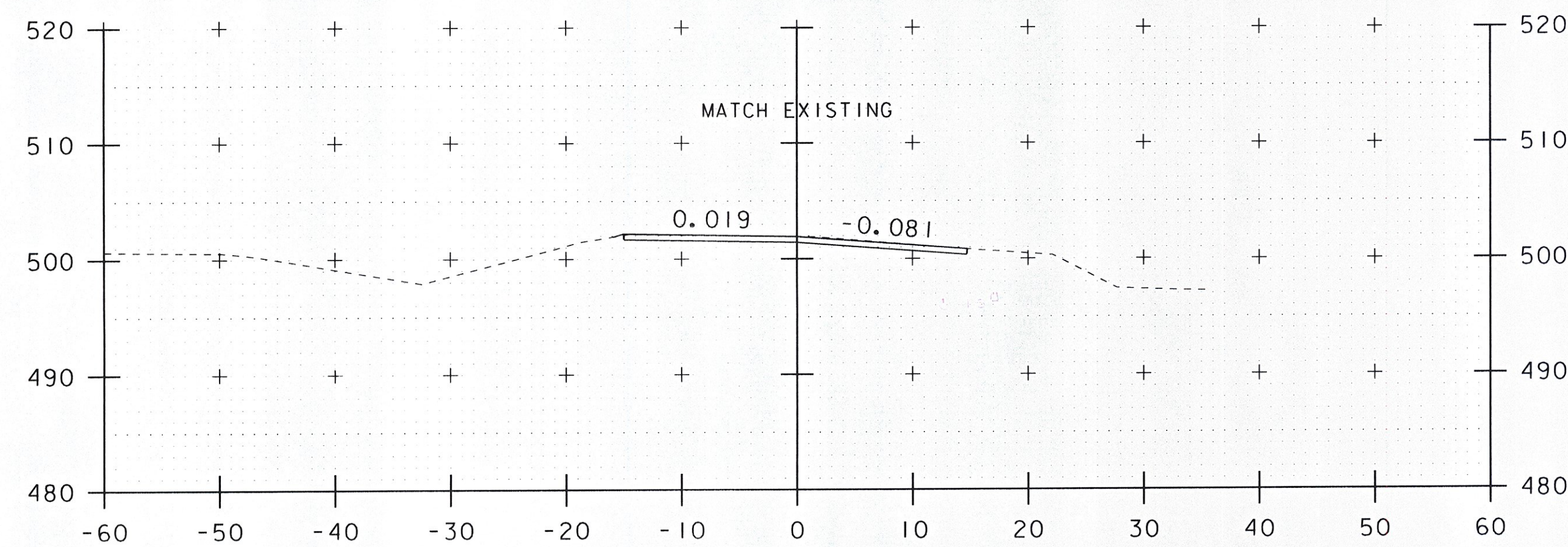
4+25



3+25

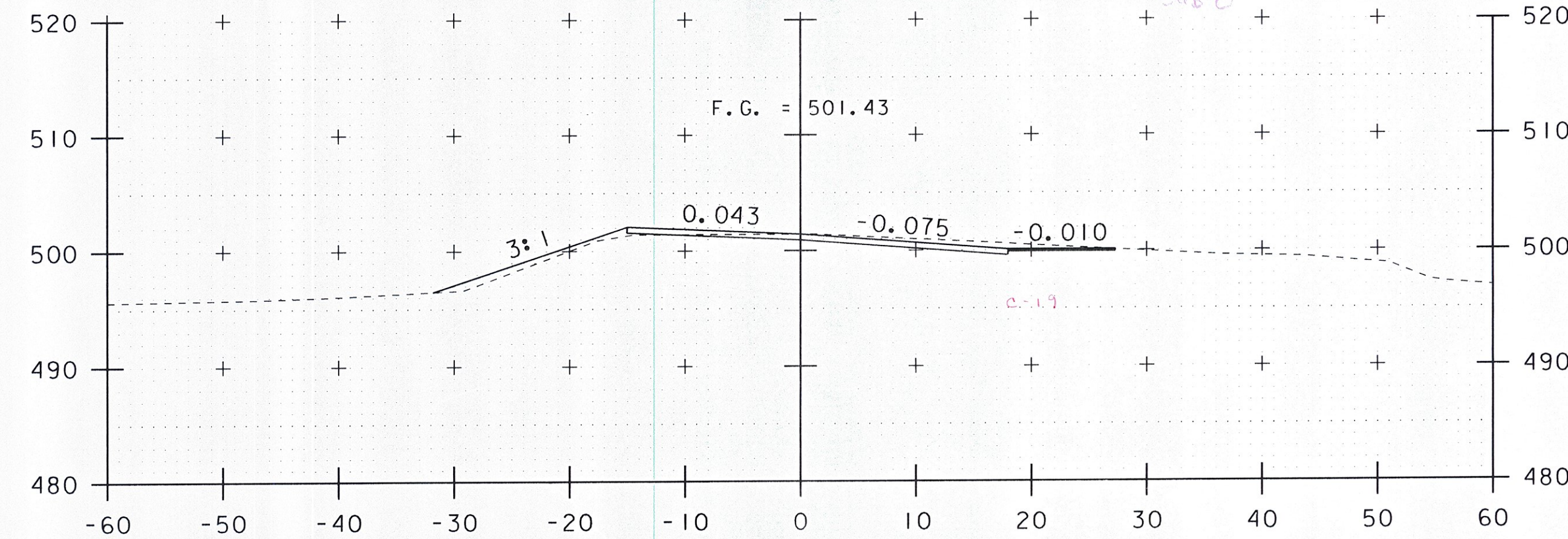


4+00



3+00

BEGIN PROJECT  
STA. 3+00.00



3+75

DATUM  
VERTICAL ASSUMED  
HORIZONTAL ASSUMED



**ROADWAY  
CROSS SECTIONS**

PROJECT NAME: WARREN  
PROJECT NUMBER: ER-STP 013-4 (36)

FILE NAME:  
PROJECT LEADER: JWT  
DESIGNED BY: RHB  
PLOT FILE:

PLOT DATE: 11/4/2011  
DRAWN BY: BMB  
CHECKED BY: EPD  
SHEET 17 OF 19