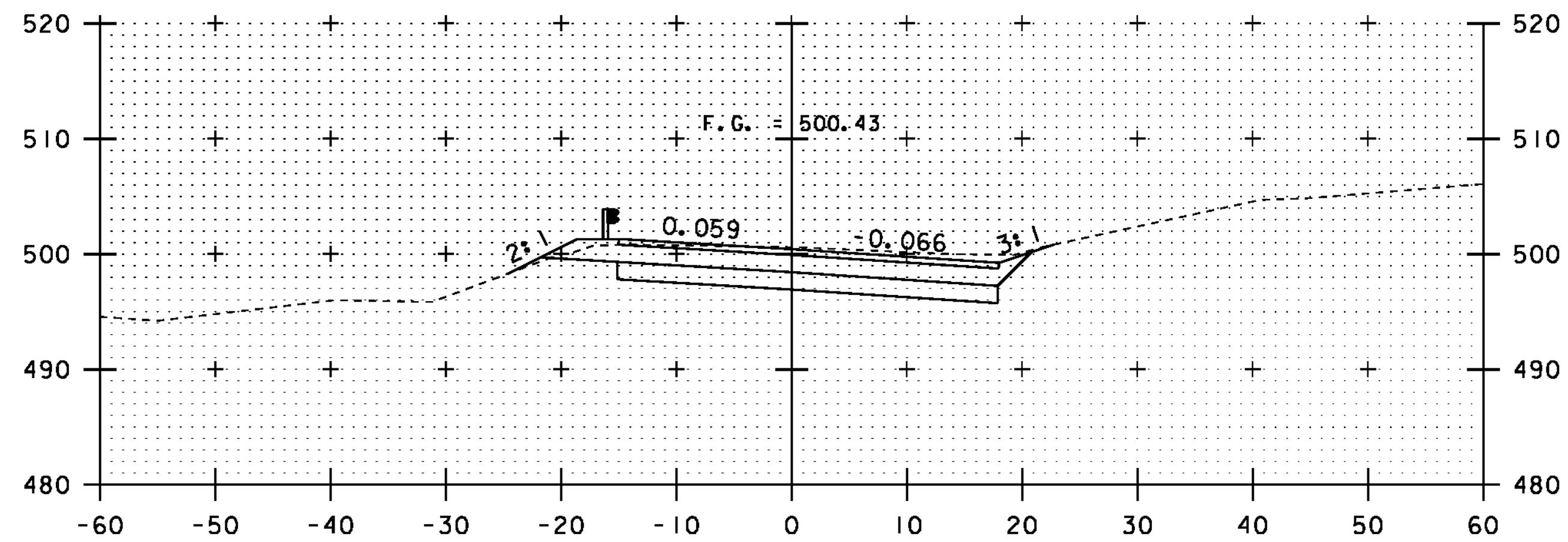
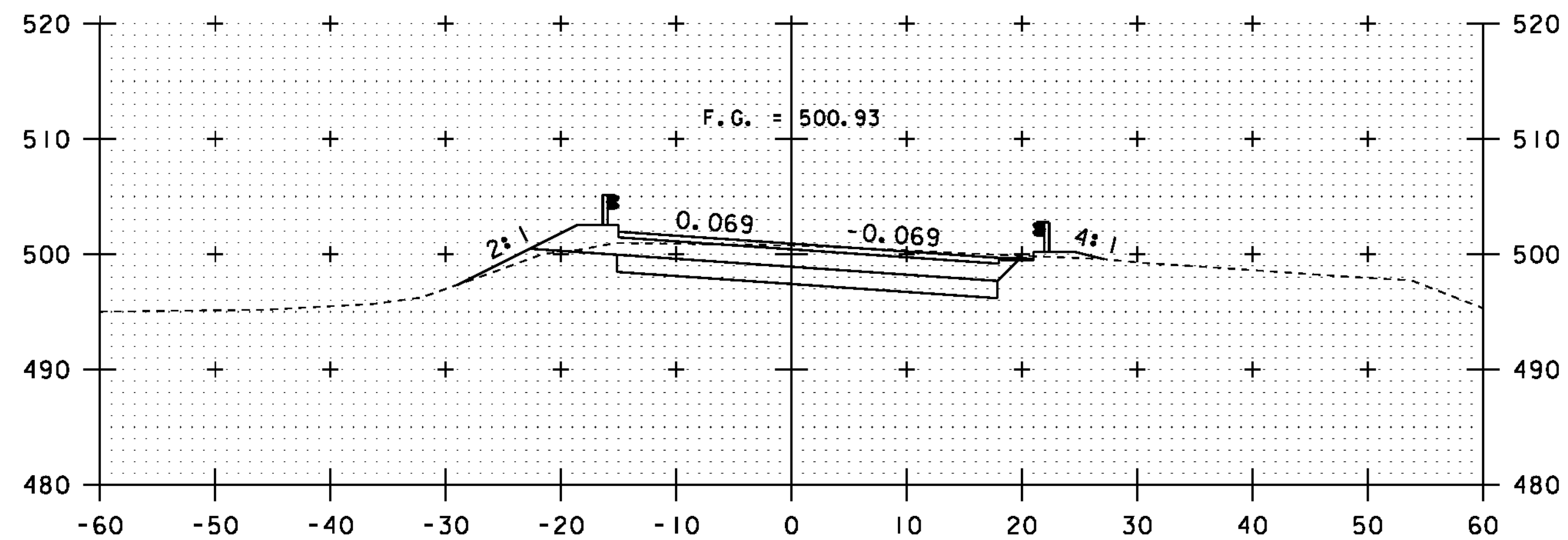


BEGIN BRIDGE  
STA. 4+94.36

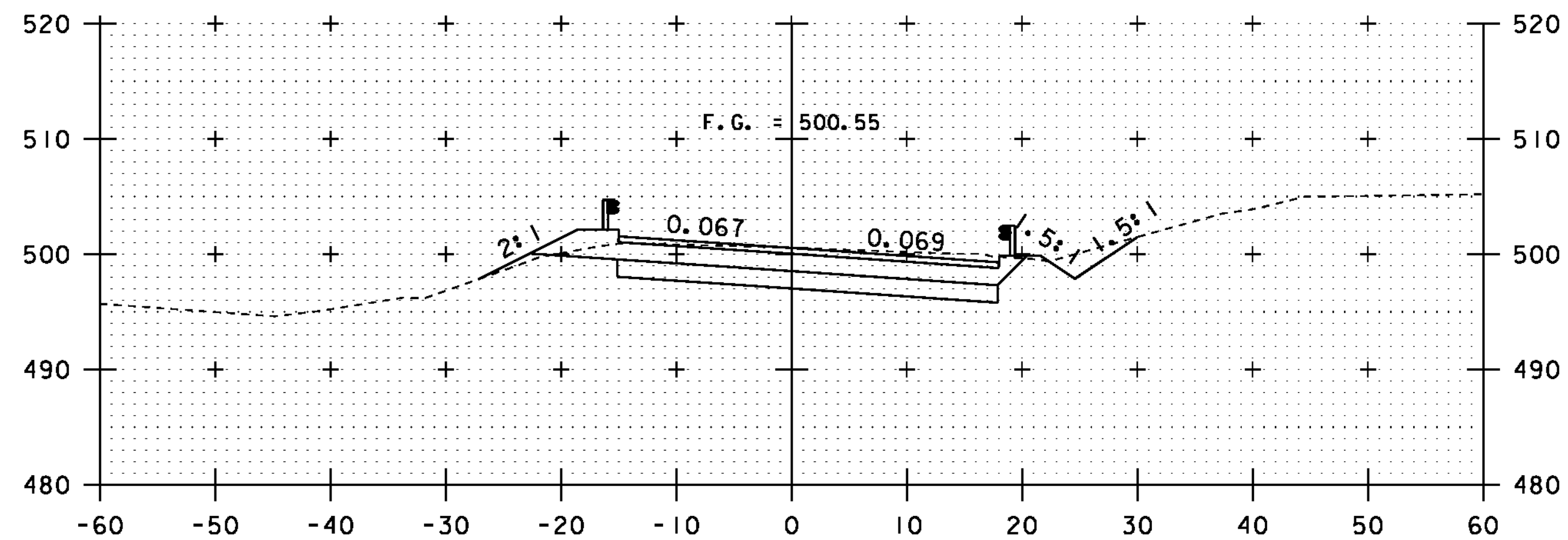
5+00



5+75

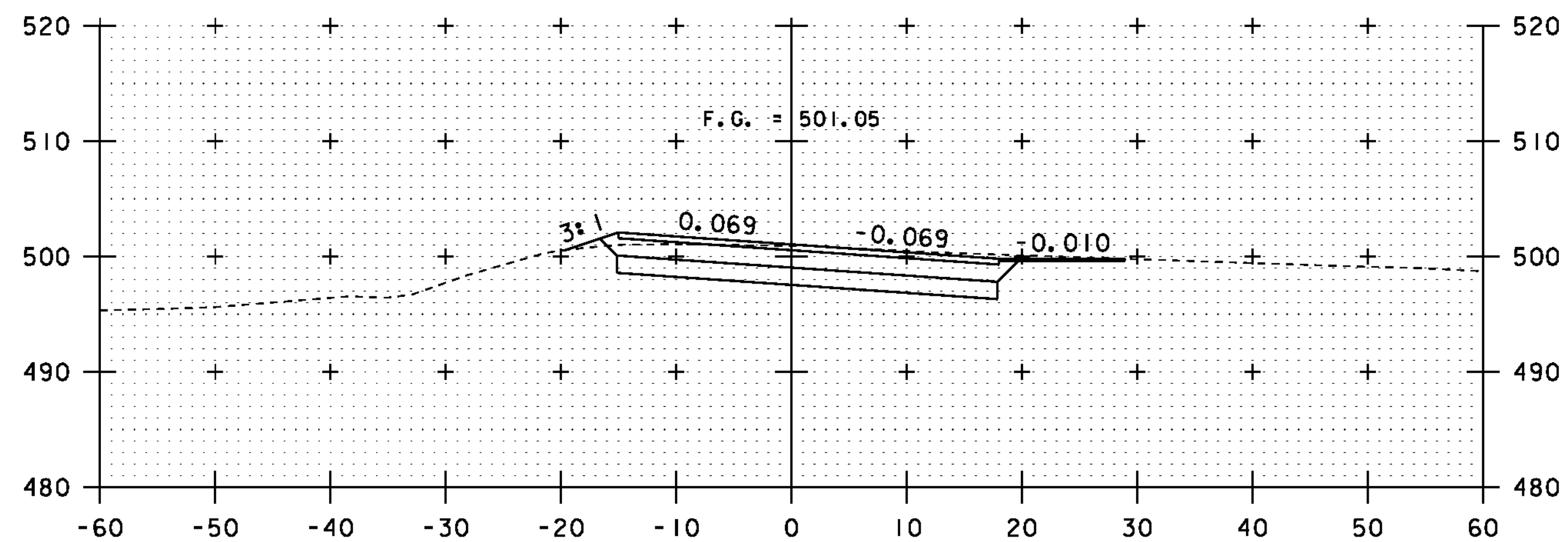


4+75

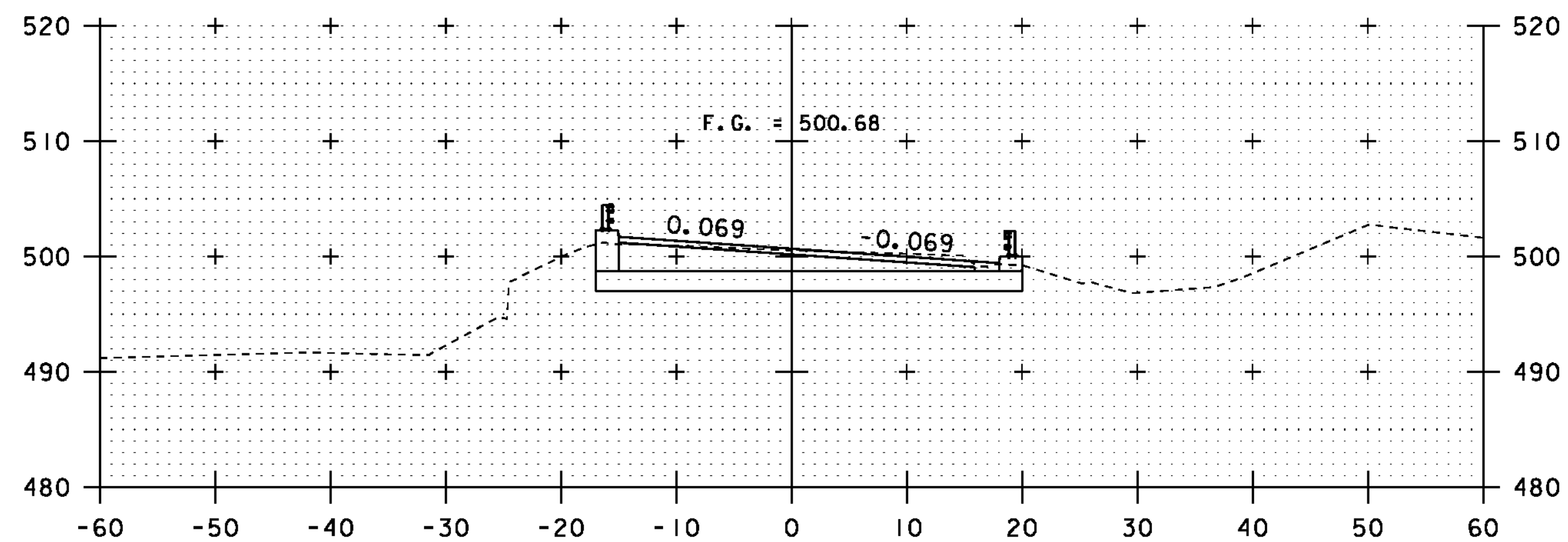


END BRIDGE  
STA. 5+30.03

5+50



4+50



5+25

DATUM  
VERTICAL ASSUMED  
HORIZONTAL ASSUMED



**ROADWAY  
CROSS SECTIONS**

PROJECT NAME: WARREN  
PROJECT NUMBER: ER-STP 013-4 (36)

FILE NAME:  
PROJECT LEADER: JWT  
DESIGNED BY: RHB  
PLOT FILE:  
PLOT DATE: 11/4/2011  
DRAWN BY: BMB  
CHECKED BY: EPD  
SHEET 18 OF 19