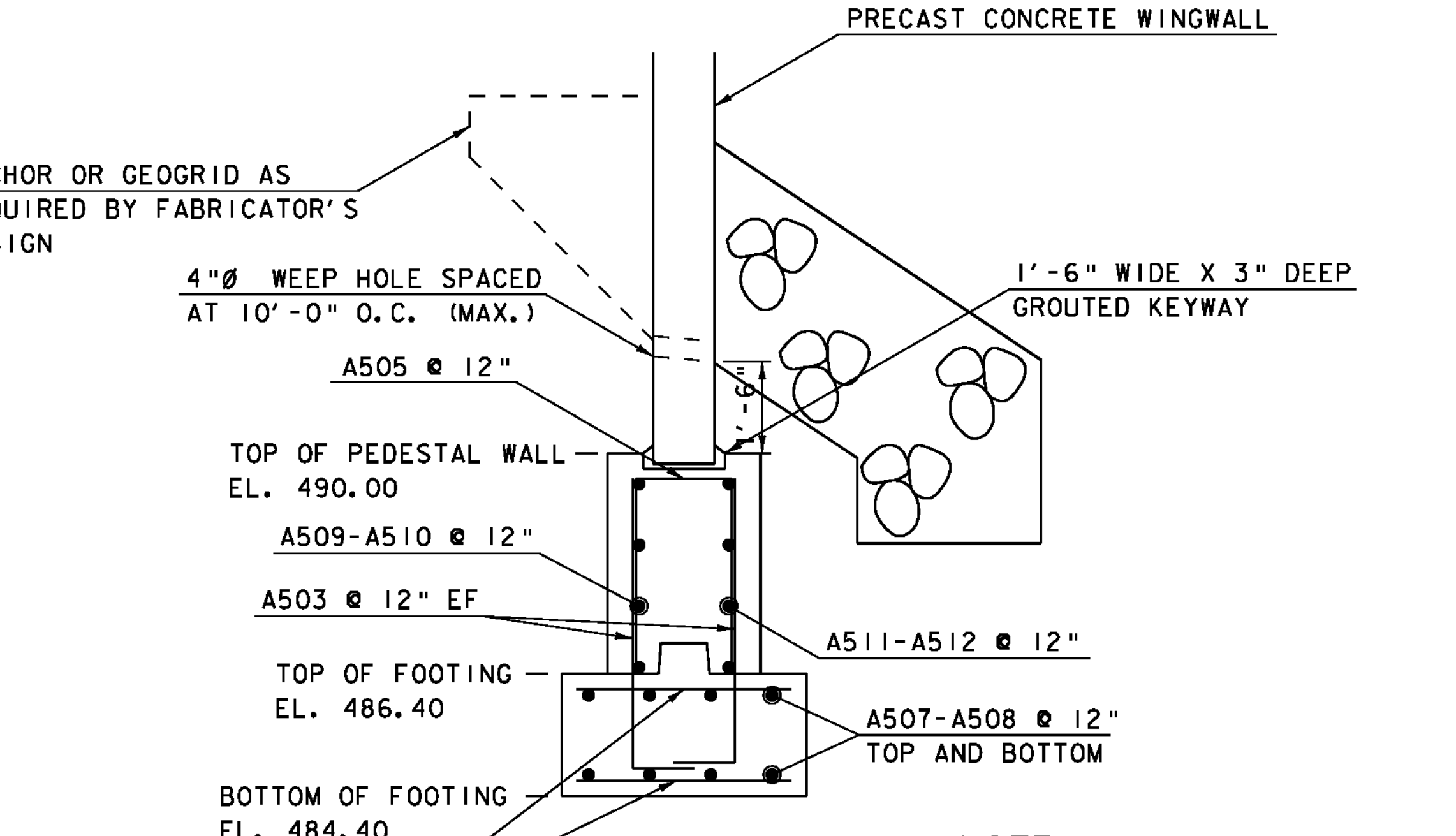


SECTION A-A
SCALE 1/2" = 1'-0"



SECTION B-B
SCALE 1/2" = 1'-0"

NOTE:
NF = NEAR FACE
FF = FAR FACE
EF = EACH FACE
▲ = CUT TO FIT IN FIELD
3" CLEAR, UNLESS OTHERWISE SPECIFIED ON THE PLANS.
2'-2" BAR LAP UNLESS OTHERWISE SPECIFIED ON THE PLANS.

- NOTES:**
1. THE PRECAST CONCRETE RIGID FRAME SHALL HAVE A 32'-0" CLEAR SPAN, AND A MINIMUM AVERAGE LOW CHORD ELEVATION OF 497.25.
 2. SEE SHEET 5, GENERAL NOTE #9, REGARDING THE REQUIREMENTS FOR THE FOOTINGS AND PEDESTAL WALLS.
 3. A KEYED VERTICAL CONSTRUCTION JOINT SHALL BE PROVIDED BETWEEN ADJACENT FOOTING AND PEDESTAL WALL CONCRETE PLACEMENTS, REQUIRED DUE TO THE PHASING OF TRAFFIC. SEE STRUCTURES DETAIL SD-501.00 FOR DETAILS. JOINTS SHALL BE STAGGERED 6" (MIN.) WITH THE JOINTS OF THE RIGID FRAME. REINFORCING SHALL BE CONTINUOUS THROUGH THE CONSTRUCTION JOINT, CONNECTED WITH MECHANICAL BAR CONNECTORS. THE CONTRACTOR SHALL SUBMIT DETAILS FOR THE FOOTING CONSTRUCTION PHASING, CONSTRUCTION JOINT, AND REINFORCING CONTINUITY TO THE ENGINEER FOR APPROVAL.
 4. SEE SHEET 5, GENERAL NOTE #8 REGARDING COMPONENTS TO BE DESIGNED BY THE PRECAST CONCRETE FABRICATOR.

DATUM
VERTICAL ASSUMED
HORIZONTAL ASSUMED



FOOTING & RIGID FRAME DETAILS

PROJECT NAME: WARREN	
PROJECT NUMBER: ER-STP 013-4 (36)	
FILE NAME:	PLOT DATE: 11/4/2011
PROJECT LEADER: JWT	DRAWN BY: BMB
DESIGNED BY: RHB	CHECKED BY: EPD
PLOT FILE:	SHEET 12 OF 19