

Vermont Agency of Transportation

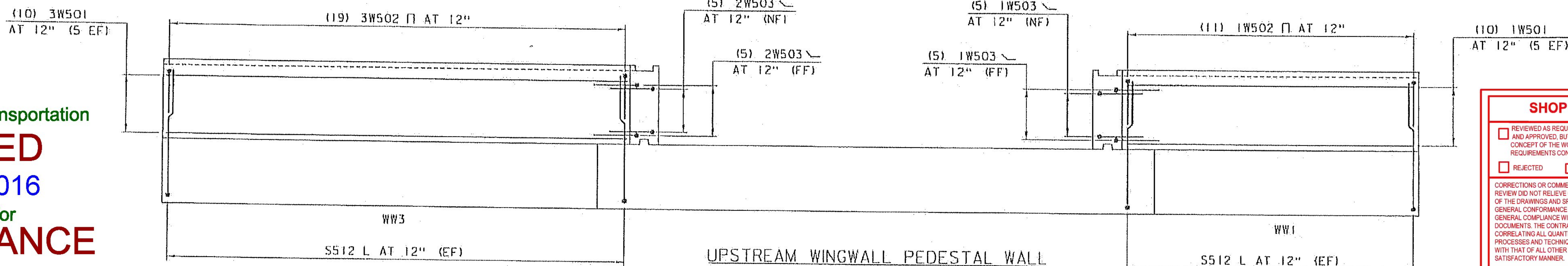
RECEIVED

ON: May 12, 2016

and Checked for

CONFORMANCE

BY: Danny Landry DATE: 05/18/16



UPSTREAM WINGWALL PEDESTAL WALL
REINFORCING ELEVATION
SCALE: 3/8" = 1'-0"

SHOP DRAWING REVIEW

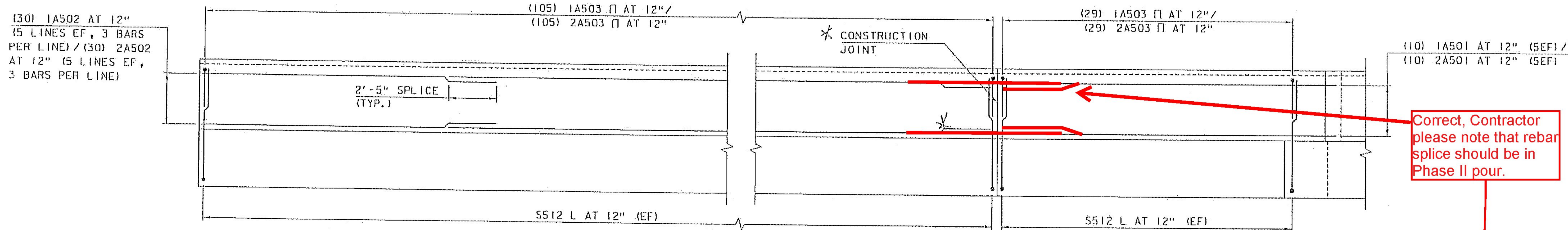
REVIEWED AS REQUIRED BY THE CONSTRUCTION CONTRACT DOCUMENTS AND APPROVED, BUT ONLY FOR CONFORMANCE TO THE DESIGN CONCEPT OF THE WORK, AND SUBJECT TO FURTHER LIMITATIONS AND REQUIREMENTS CONTAINED IN THE CONSTRUCTION CONTRACT DOCUMENTS.

REJECTED REVISE AND RESUBMIT APPROVED AS NOTED

CORRECTIONS OR COMMENTS MADE ON THE SHOP DRAWINGS DURING THIS REVIEW DID NOT RELIEVE CONTRACTOR FROM COMPLIANCE WITH REQUIREMENTS OF THE DRAWINGS AND SPECIFICATIONS. THIS CHECK IS ONLY FOR REVIEW OF GENERAL CONFORMANCE WITH THE DESIGN CONCEPT OF THE PROJECT AND GENERAL COMPLIANCE WITH THE INFORMATION GIVEN IN THE CONTRACT DOCUMENTS. THE CONTRACTOR IS RESPONSIBLE FOR CONFIRMING AND CORRELATING ALL QUANTITIES AND DIMENSIONS, SELECTING FABRICATION PROCESSES AND TECHNIQUES OF CONSTRUCTION, COORDINATING THEIR WORK WITH THAT OF ALL OTHER TRADES, AND PERFORMING THEIR WORK IN A SAFE AND SATISFACTORY MANNER.

CLD Consulting Engineers
240 Commercial Street
Manchester, NH 03101
603-888-8222

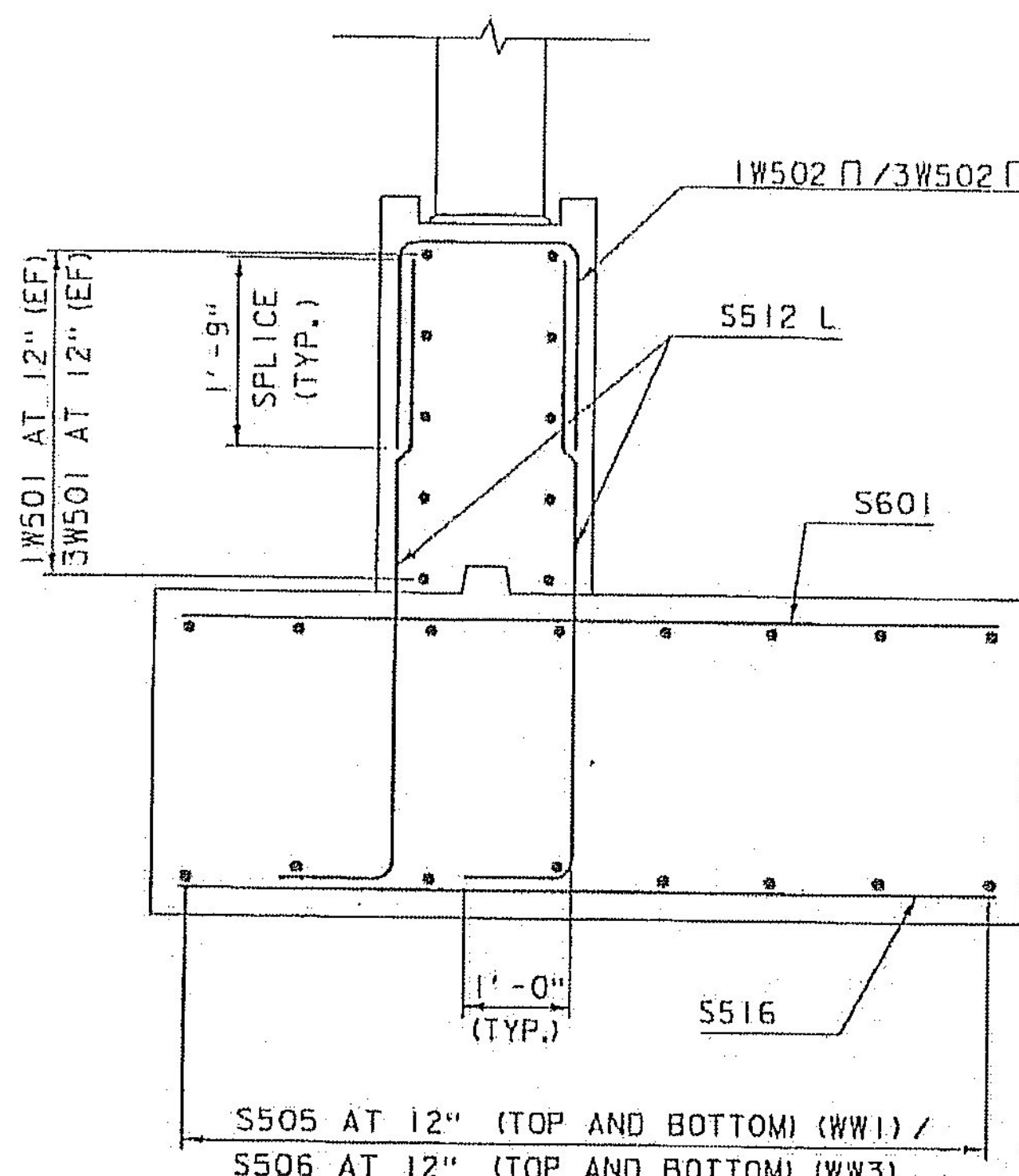
Job Number: 12-0106
Reviewed by: NDC
Date: 5/12/16



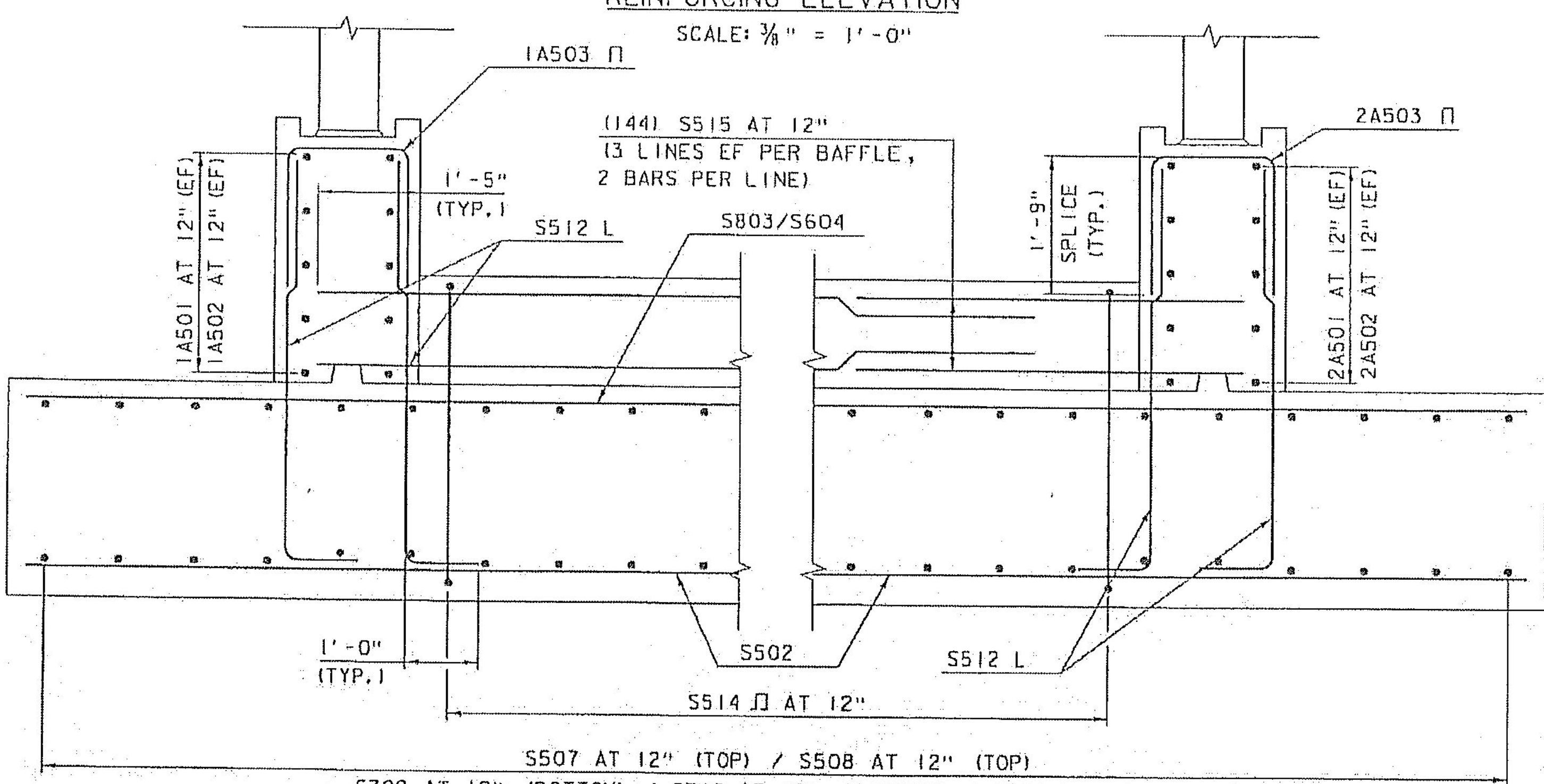
ARCH AND DOWNSTREAM WINGWALL PEDESTAL WALL
REINFORCING ELEVATION
SCALE: 3/8" = 1'-0"

Correct, Contractor please note that rebar splice should be in Phase II pour.

* Construction Joint: Rebar overlap at Construction joint is shown on wrong side of joint. See revised rebar schedule for adjusted bar lengths.



TYPICAL UPSTREAM WINGWALL FOOTING
REINFORCING SECTION
SCALE: 3/4" = 1'-0"



TYPICAL ARCH MAT FOUNDATION REINFORCING SECTION (AT BAFFLE)
(TYPICAL DOWNSTREAM WINGWALL MAT FOUNDATION REINFORCING SECTION SIMILAR)
SCALE: 3/4" = 1'-0"

- NOTES:
- NF = NEAR FACE
 - FF = FAR FACE
 - EF = EACH FACE
 - 3" CLEAR IN MAT FOUNDATION,
 - 2" CLEAR AT ALL OTHER LOCATIONS.
 - 2'-5" BAR LAP UNLESS OTHERWISE SPECIFIED ON THE PLANS

PROJECT NAME: LUNENBURG	PLOT DATE: 8/6/2015
PROJECT NUMBER: NH CULV(27)	DRAWN BY: M. SMITH
FILE NAME: llb294/cos/zllb294sub.dgn	CHECKED BY: J. BYATT
PROJECT LEADER: J. BYATT	SHEET 48 OF 74
DESIGNED BY: S. BEAUMONT	
SUBSTRUCTURE REINFORCING SHEET 2	

CLD 12-0106 MODEL SHEET