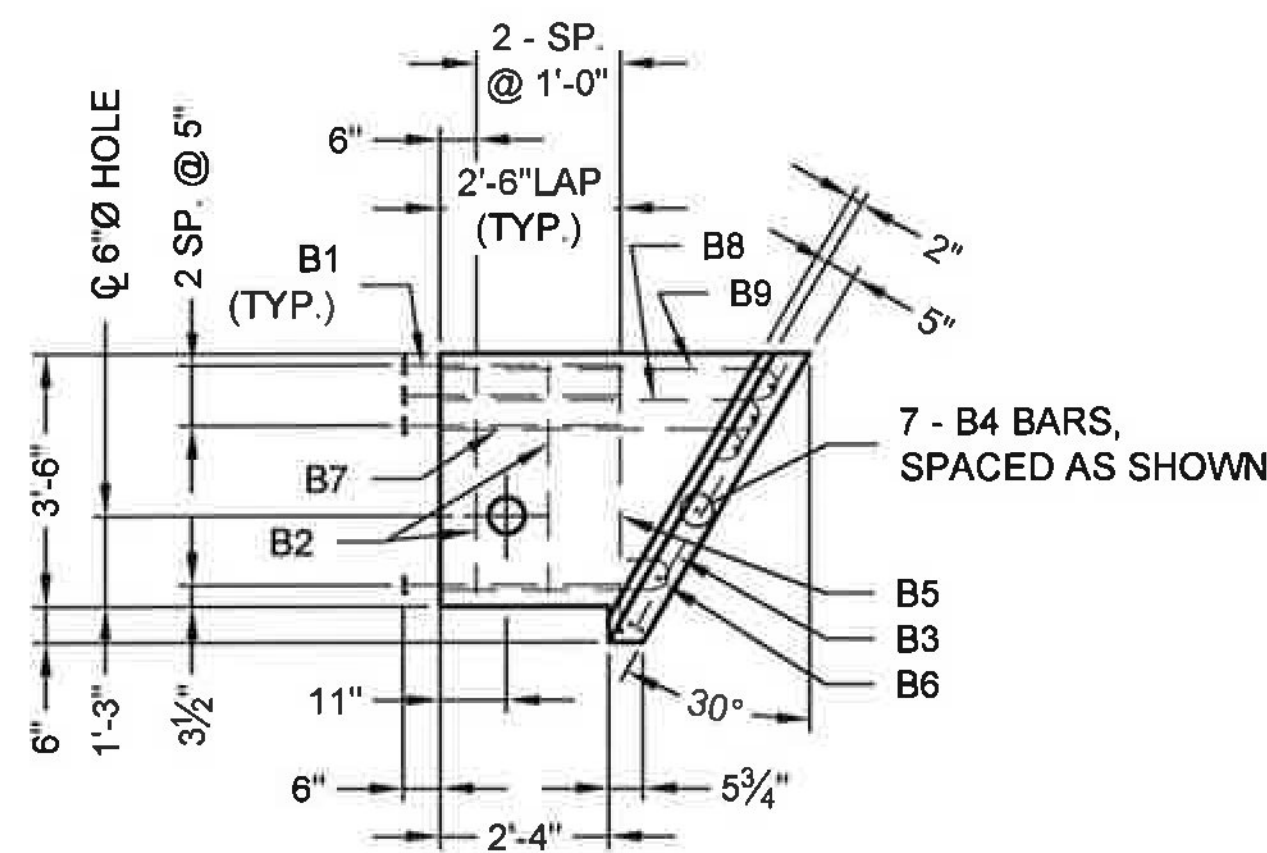


SECTION - TYPE C
10" THICK WINGWALL

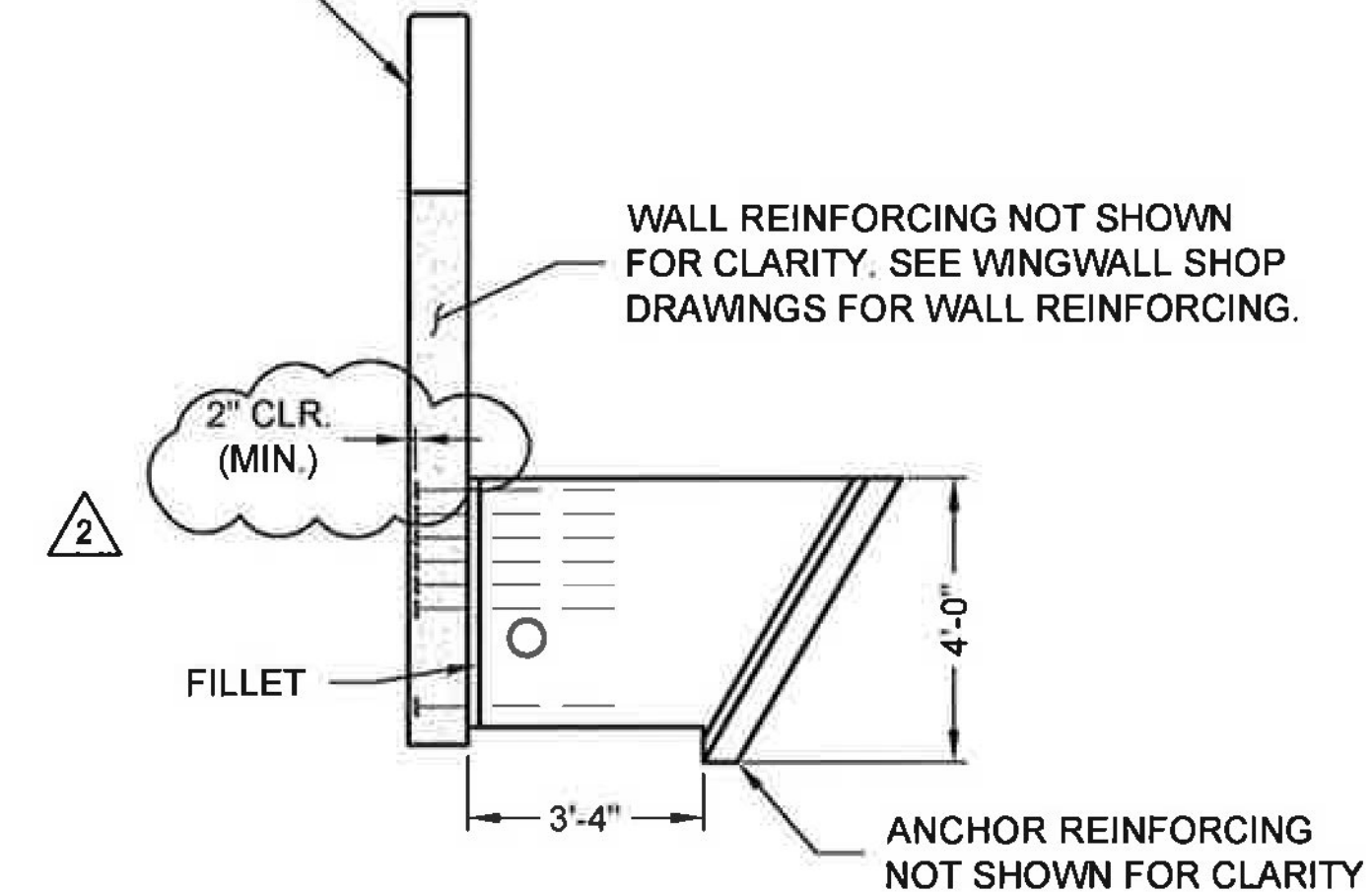
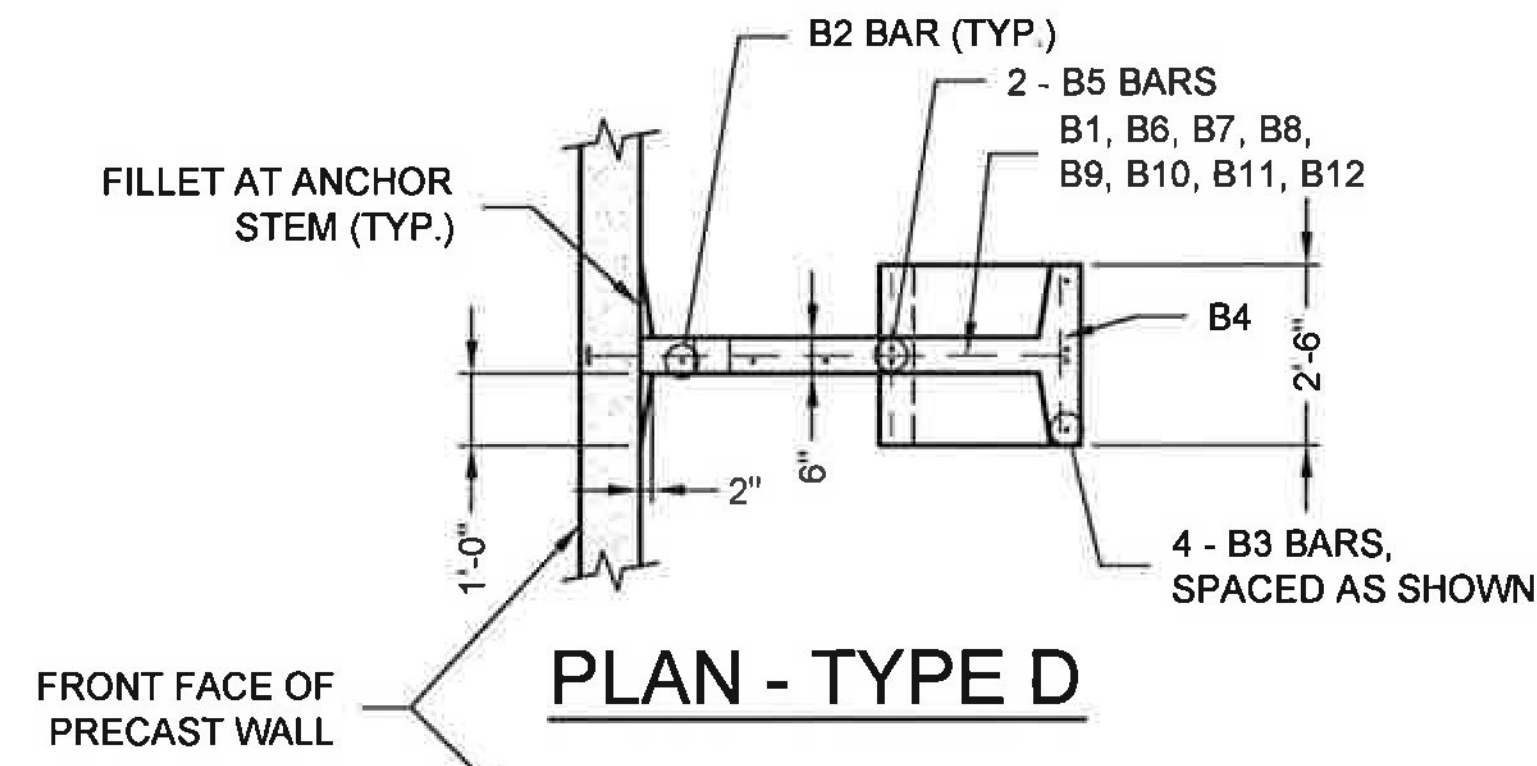


PRECAST ANCHOR TYPE C

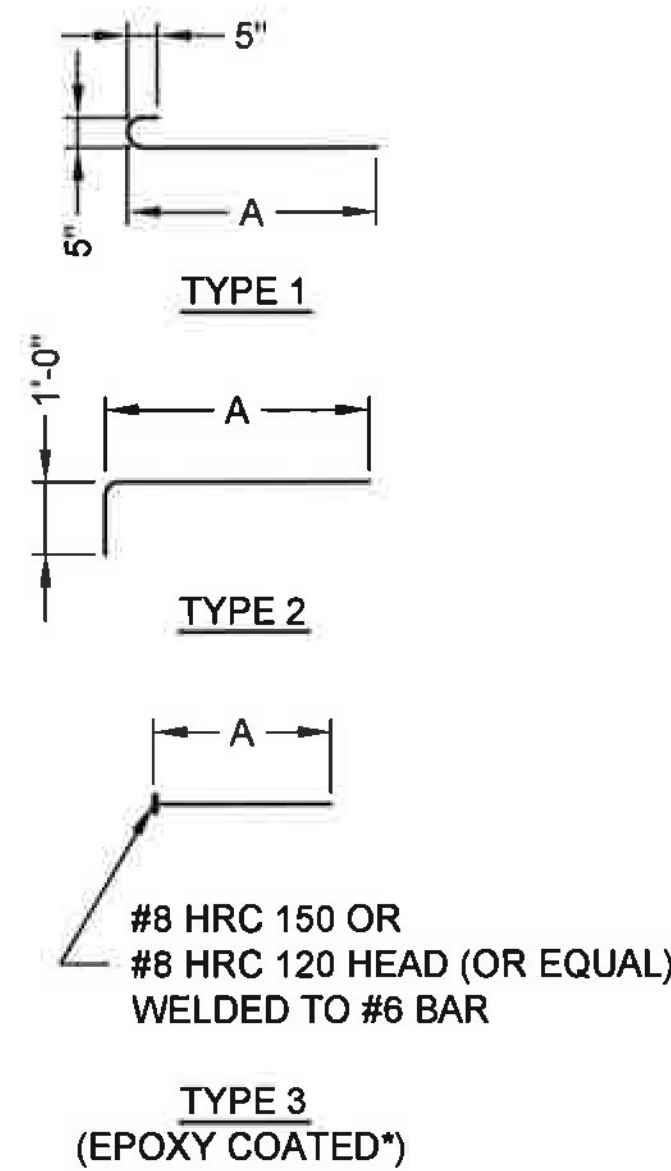
TOTAL WEIGHT = .896 TONS

BAR LIST - TYPE C						
MARK	QTY.	SIZE	A	TYPE	LENGTH	FINISH
B1	4	#6	3'-0"	3	---	EPOXY*
B2	2	#5	---	STR.	3'-2"	BLACK
B3	4	#5	---	STR.	4'-3"	BLACK
B4	7	#5	---	STR.	2'-2"	BLACK
B5	2	#5	3'-8"	2	---	BLACK
B6	1	#5	3'-2"	1	---	BLACK
B7	1	#5	4'-2"	1	---	BLACK
B8	1	#5	4'-5"	1	---	BLACK
B9	1	#5	4'-8"	1	---	BLACK

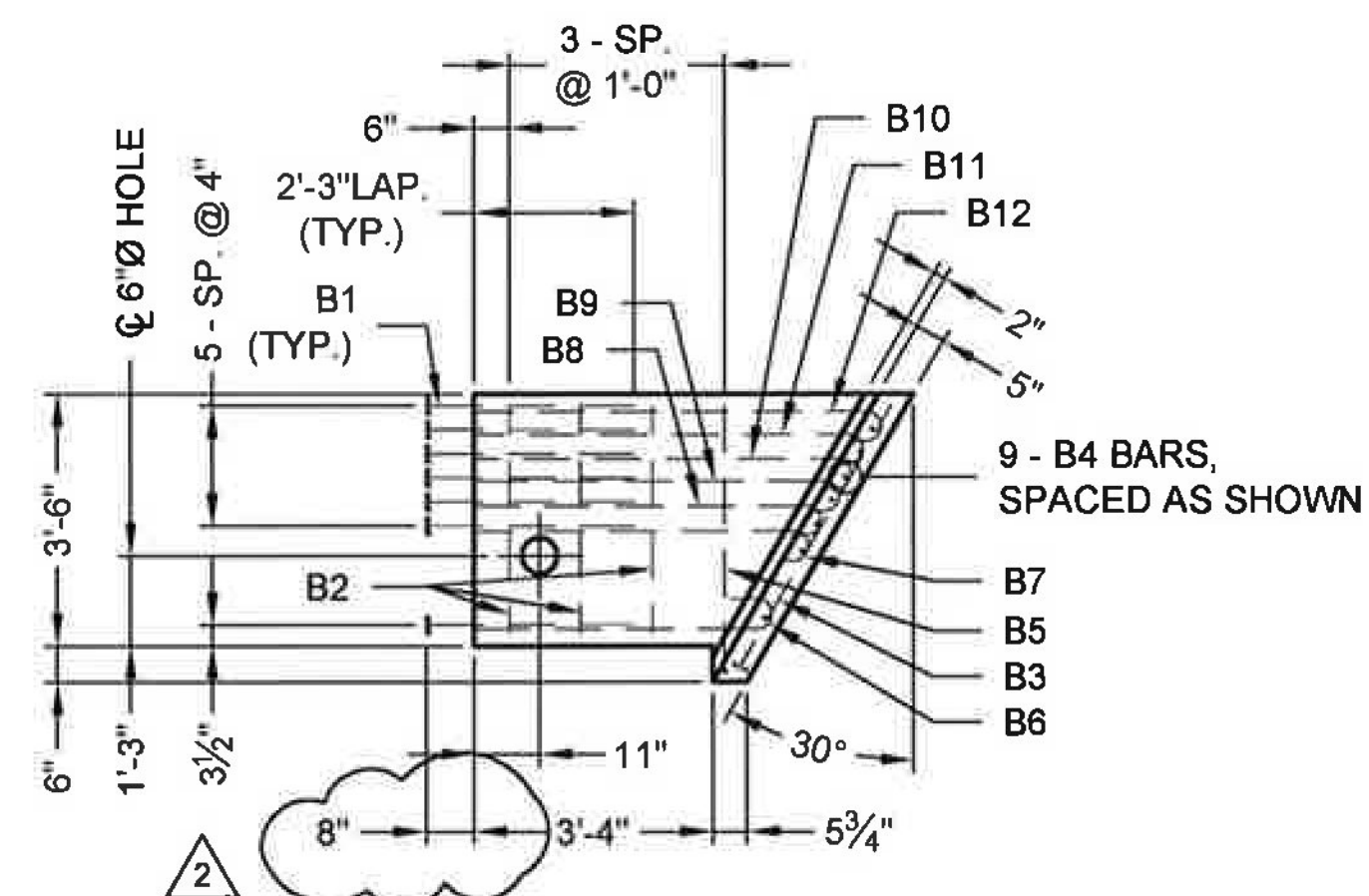
NOTE: "STR." DENOTES STRAIGHT BAR. STANDARD CLEARANCE = 2"



SECTION - TYPE D
10" THICK WINGWALL WW2B



*NOTE: HRC HEADS PROVIDED BY HEADED REINFORCEMENT CORP.



PRECAST ANCHOR TYPE D

TOTAL WEIGHT = 1.028 TONS

BAR LIST - TYPE D						
MARK	QTY.	SIZE	A	TYPE	LENGTH	FINISH
B1	7	#6	3'-0"	3	---	EPOXY*
B2	3	#5	---	STR.	3'-2"	BLACK
B3	4	#5	---	STR.	4'-3"	BLACK
B4	9	#5	---	STR.	2'-2"	BLACK
B5	2	#5	3'-8"	2	---	BLACK
B6	1	#5	4'-2"	1	---	BLACK
B7	1	#5	4'-8"	1	---	BLACK
B8	1	#5	4'-10"	1	---	BLACK
B9	1	#5	5'-1"	1	---	BLACK
B10	1	#5	5'-3"	1	---	BLACK
B11	1	#5	5'-5"	1	---	BLACK
B12	1	#5	5'-8"	1	---	BLACK

NOTE: "STR." DENOTES STRAIGHT BAR. STANDARD CLEARANCE = 2"

I:\MERLIN\PROJECTS\ACTIVE\68920-10\CONSPAN_O_SERIES\DRAWINGS\FABRICATION\PRE-468920-010-CO-FAB-D.DWG 4/14/2016 11:21 AM

The design and information shown on this drawing is provided as a service to the project owner, engineer and contractor by Contech Engineered Solutions LLC ("Contech"). Neither this drawing, nor any part thereof, may be used, reproduced or modified in any manner without the prior written consent of Contech. Failure to comply is done at the user's own risk and Contech expressly disclaims any liability or responsibility for such use.

If discrepancies between the supplied information upon which the drawing is based and actual field conditions are encountered as site work progresses, these discrepancies must be reported to Contech immediately for re-evaluation of the design. Contech accepts no liability for designs based on missing, incomplete or inaccurate information supplied by others.

MARK	DATE	REVISION DESCRIPTION	BY
2	4/14/2016	REVIEW COMMENTS	JDR
1	3/16/2016	REVISIONS PER REVIEW COMMENTS	KDK

CONTECH
ENGINEERED SOLUTIONS LLC
www.ContechES.com
9025 Centre Pointe Dr., Suite 400, West Chester, OH 45069
800-338-1122 513-645-7000 513-645-7993 FAX

CONSPAN
SERIES
FABRICATION DRAWING

US ROUTE 2
BRIDGE NO. 126
TOWN OF LUNENBURG
ESSEX COUNTY, VERMONT

PROJECT No.: 468920	SEQ No.: 010	DATE: 12/8/2015
DESIGNED: KDK	DRAWN: TRL	
CHECKED: JDR	APPROVED: PAC	
SHEET NO: S17 OF S22		