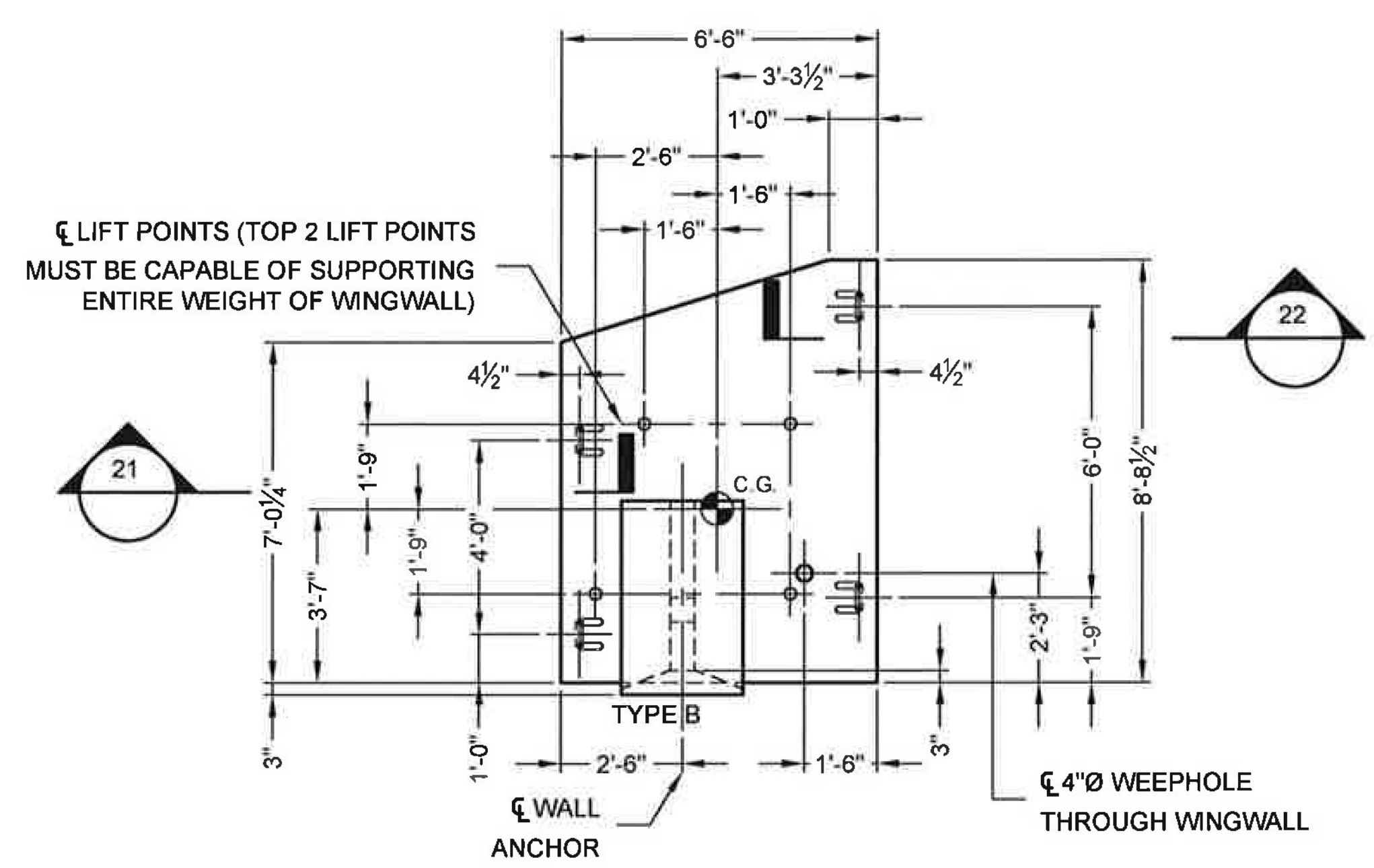


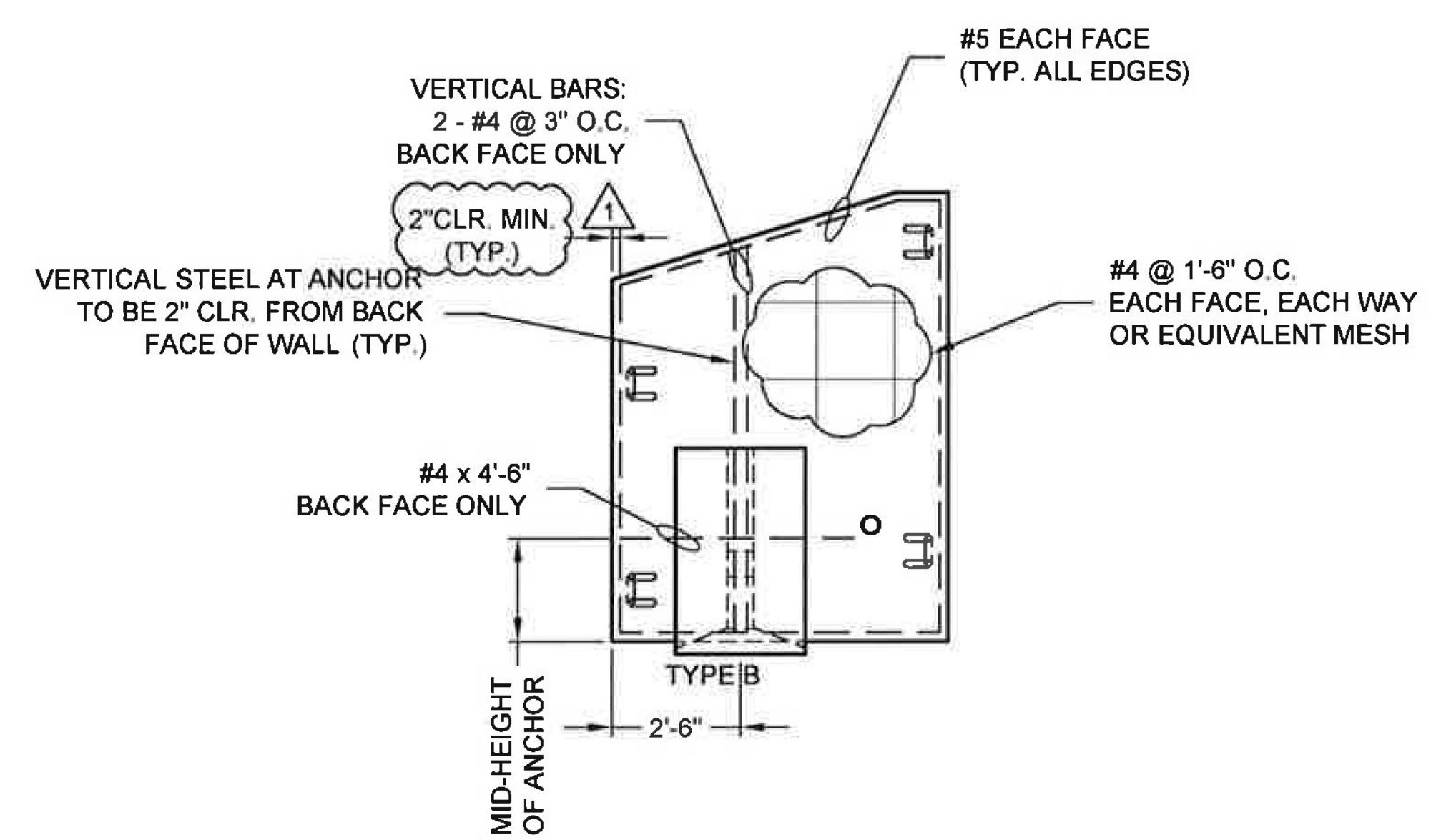
NOTES:  
 - ALL EDGES OF PRECAST TO HAVE A 3/4" CHAMFER  
 - ELEVATION IS LOOKING AT BACK FACE OF WINGWALL  
 - BACK FACE DENOTES ANCHOR SIDE OF WINGWALL  
 - WINGWALL WILL NOT HANG LEVEL. ADJUST CABLE LENGTHS AS REQUIRED

WINGWALL		
CONCRETE	REINF. STEEL	WWF
28-DAY: 5000 PSI	60,000 PSI UNCOATED	65,000 PSI UNCOATED

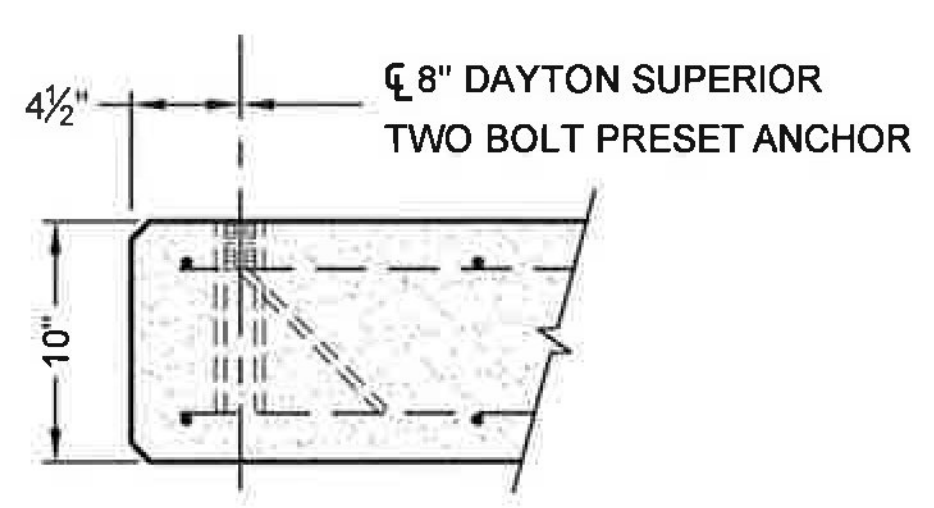
WHEREVER THE REINFORCING IS CUT FOR THE PLACEMENT OF LIFT HOLES OR OTHER BLOCKOUTS, REINFORCING BARS OR WIRES OF EQUIVALENT CROSS-SECTIONAL AREA SHALL BE PLACED SYMMETRICALLY AROUND THE HOLE. AT LEAST ONE BAR MUST BE ON EACH SIDE OF THE HOLE, AND THE DEVELOPMENT LENGTH OF THE BAR MUST BE ACHIEVED ON EITHER SIDE OF THE CUT.



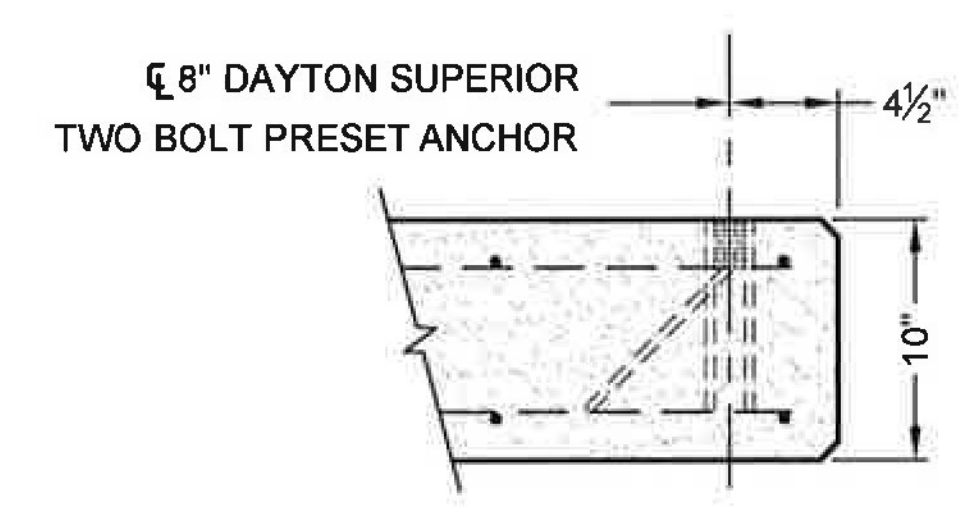
**WINGWALL - WW4B**  
 TOTAL WEIGHT = 4.0 TONS



**REINFORCING DETAIL - WW4B**  
 (FOR ANCHOR REINFORCING SEE SHEET S16)



**SECTION 21**



**SECTION 22**

I:\MERLIN\PROJECTS\ACTIVE\FABRICATION\PRE-468920-10-CON\_SPAN\_O\_SERIES\DRAWINGS\FABRICATION\PRE-468920-01\CCO-FAB-D.DWG 4/14/2016 11:20 AM

The design and information shown on this drawing is provided as a service to the project owner, engineer and contractor by Contech Engineered Solutions LLC ("Contech"). Neither this drawing, nor any part thereof, may be used, reproduced or modified in any manner without the prior written consent of Contech. Failure to comply is done at the user's own risk and Contech expressly disclaims any liability or responsibility for such use.

If discrepancies between the supplied information upon which the drawing is based and actual field conditions are encountered as site work progresses, these discrepancies must be reported to Contech immediately for re-evaluation of the design. Contech accepts no liability for designs based on missing, incomplete or inaccurate information supplied by others.

MARK	DATE	REVISION DESCRIPTION	BY
2	4/14/2016	REVIEW COMMENTS	JDR
1	3/16/2016	REVISIONS PER REVIEW COMMENTS	KDK

**CONTECH**  
 ENGINEERED SOLUTIONS LLC  
 www.ContechES.com  
 9025 Centre Pointe Dr., Suite 400, West Chester, OH 45069  
 800-338-1122 513-645-7000 513-645-7993 FAX

**CONSPAN**  
 SERIES  
 FABRICATION  
 DRAWING

US ROUTE 2  
 BRIDGE NO. 126  
 TOWN OF LUNENBURG  
 ESSEX COUNTY, VERMONT

PROJECT No.: 468920	SEQ. No.: 010	DATE: 12/8/2015
DESIGNED: KDK	DRAWN: TRL	
CHECKED: JDR	APPROVED: PAC	
SHEET NO.: S15 OF S22		