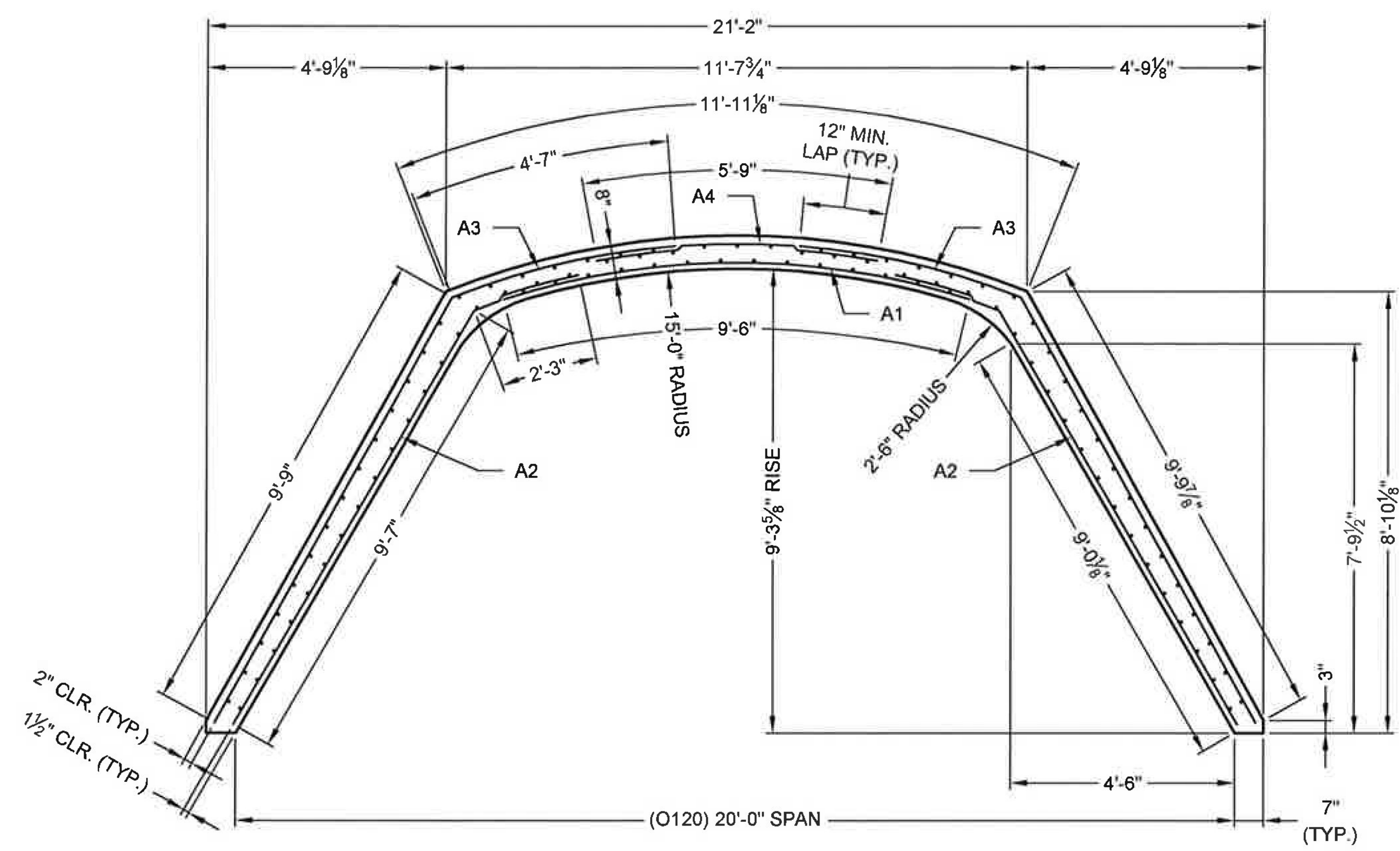
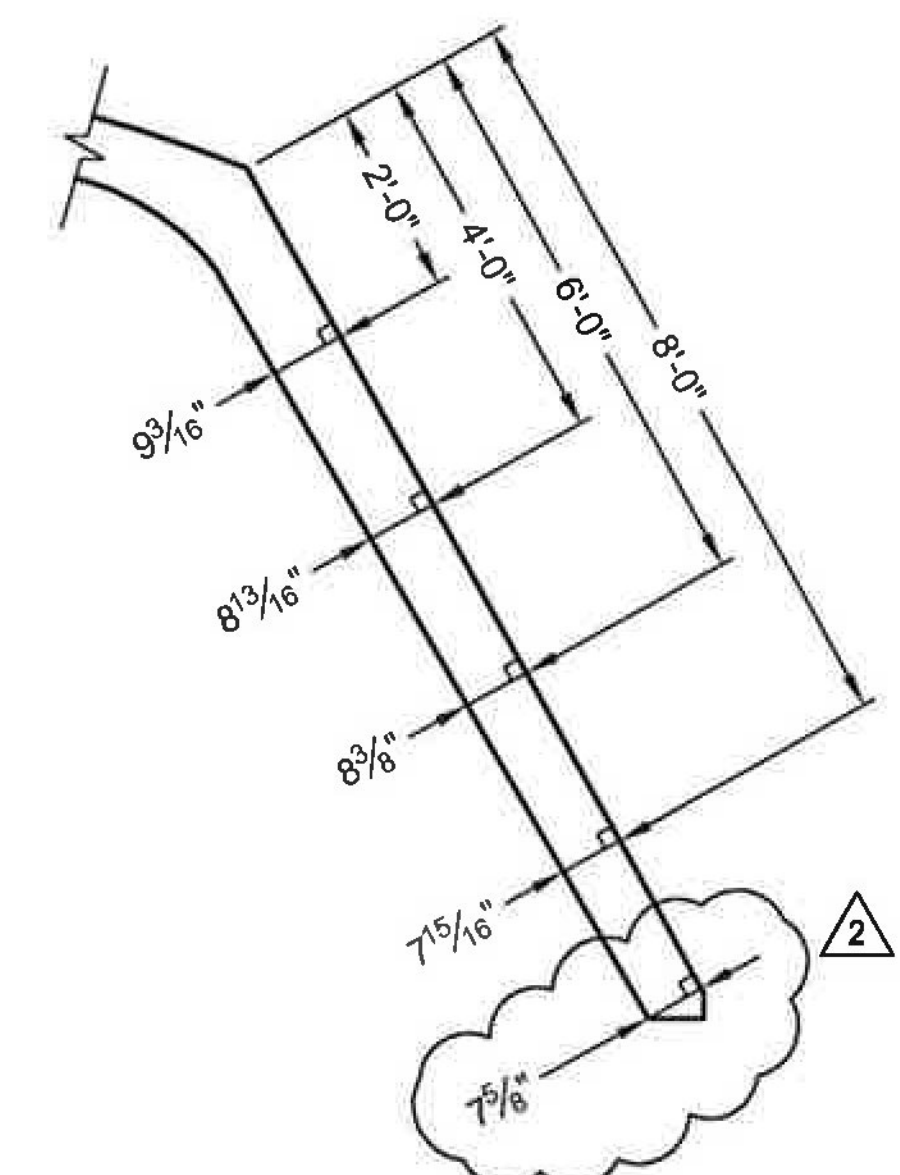


I:\MERRILL\PROJECTS\468920\468920-10-CON_SPAN_0_SERIES\DRAWINGS\FABRICATION\PRE-468920-010-CO-FAB-DWG 4/14/2016 11:19 AM



PRECAST UNIT REINFORCEMENT



INCREMENTAL ARCH LEG THICKNESSES

- NOTES:
1. MINIMUM 28-DAY CONCRETE COMPRESSIVE STRENGTH SHALL BE 5000 PSI.
 2. OVERLAP LENGTH SHALL BE MEASURED FROM LAST CROSSWIRE.
 3. DIMENSIONS SHOWN ARE FOR FORM SYSTEM O-100 SERIES.
 4. MINIMUM YIELD STRENGTH FOR WELDED WIRE FABRIC SHALL BE 65,000 PSI.
 5. REINFORCING SHALL BE LIMITED TO A MAXIMUM OF THREE LAYERS OF REINFORCING (WWF OR BARS) PER AREA (A1, A2, A3 OR A4).
 6. ALL EDGES OF PRECAST TO HAVE A 3/4" CHAMFER.
 7. SPACING OF LONGITUDINAL REINFORCEMENT MUST BE A MAXIMUM OF 8" O.C. FOR MULTIPLE LAYERS OF MESH, ONLY THE OUTER MOST LAYER (A1A OR A3A) MUST BE A MAXIMUM OF 8" O.C.
 8. SPACING OF A2 & A4 CIRCUMFERENTIAL REINFORCEMENT SHALL BE 2" MIN. TO 4" MAX. SPACING OF A1 & A3 CIRCUMFERENTIAL REINFORCEMENT SHALL BE 2".

WEIGHT OF REQUIRED REINFORCEMENT = 118.0 LBS/FT

SHEET NO.	CIRCUMFERENTIAL AREA REQ'D (IN ² /FT)	LONGITUDINAL AREA REQ'D (IN ² /FT)	MESH SIZE	LENGTH (FT)	CIRCUMFERENTIAL AREA SUPL'D (IN ² /FT)	LONGITUDINAL AREA SUPL'D (IN ² /FT)
1	A1 = 0.30	0.13		9'-6"		
2	A2 = 0.48	0.13		11'-10"		
3	A3 = 0.36	0.13		14'-4"		
4	A4 = 0.24	0.13		5'-9"		
5						

DESIGN LOADING: HL-93 COVER = 2'-0" MIN. \ 13'-0" MAX.

The design and information shown on this drawing is provided as a service to the project owner, engineer and contractor by Contech Engineered Solutions LLC ("Contech"). Neither this drawing, nor any part thereof, may be used, reproduced or modified in any manner without the prior written consent of Contech. Failure to comply is done at the user's own risk and Contech expressly disclaims any liability or responsibility for such use.

If discrepancies between the supplied information upon which the drawing is based and actual field conditions are encountered as site work progresses, these discrepancies must be reported to Contech immediately for re-evaluation of the design. Contech accepts no liability for designs based on missing, incomplete or inaccurate information supplied by others.

MARK	DATE	REVISION DESCRIPTION	BY
2	4/14/2016	REVIEW COMMENTS	JDR
1	3/16/2016	NO CHANGES THIS SHEET	KDK

CONTECH
ENGINEERED SOLUTIONS LLC
www.ContechES.com
9025 Centre Pointe Dr., Suite 400, West Chester, OH 45069
800-338-1122 513-645-7000 513-645-7993 FAX

CONSPAN
SERIES
FABRICATION DRAWING

US ROUTE 2
BRIDGE NO. 126
TOWN OF LUNENBURG
ESSEX COUNTY, VERMONT



PROJECT No: 468920	SEQ. No.: 010	DATE: 12/8/2015
DESIGNED: KDK	DRAWN: TRL	
CHECKED: JDR	APPROVED: PAC	
SHEET NO.: S2 OF S22		