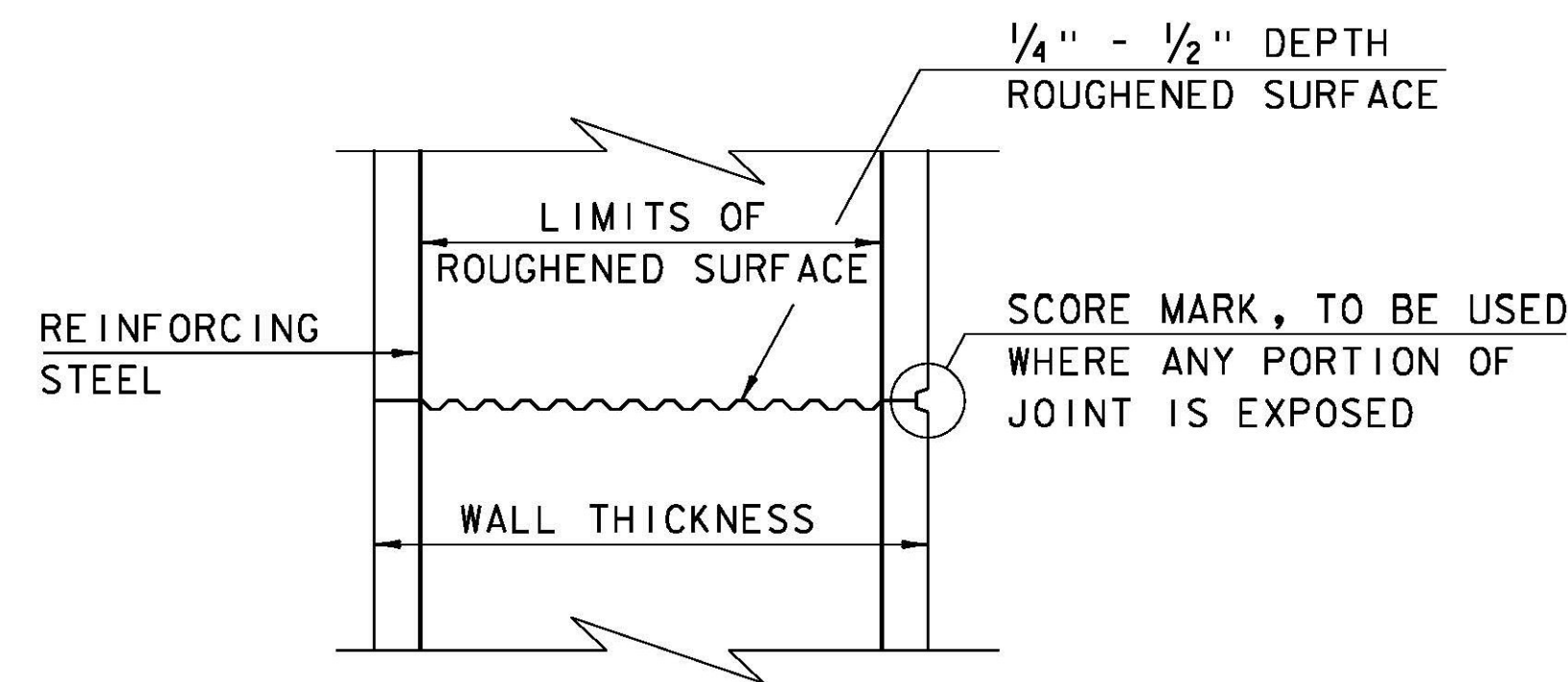


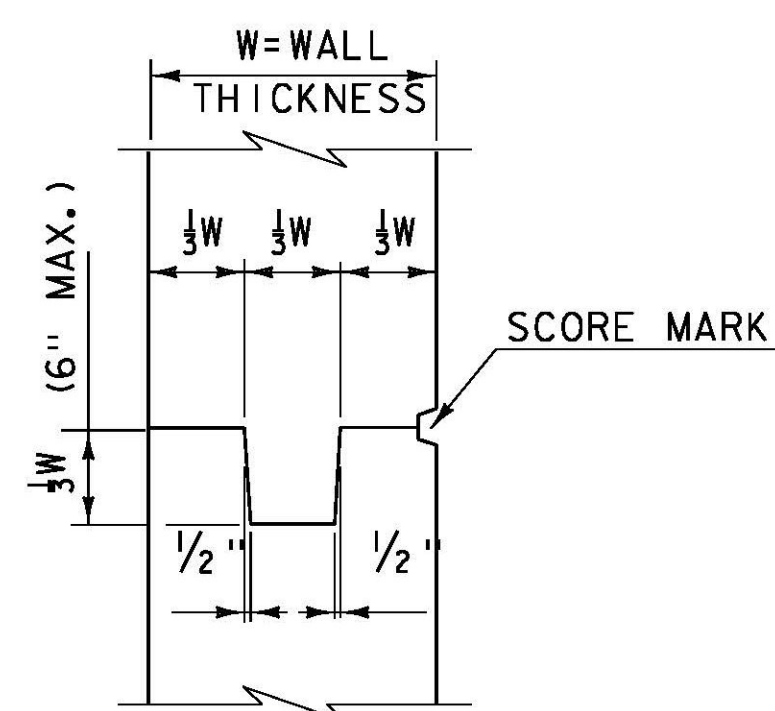
### CONCRETE GENERAL NOTES

1. ALL EXPOSED EDGES OF CONCRETE SHALL BE CHAMFERED 1" x 1"
2. REINFORCING STEEL SIZE AND SPACING SHOWN IN THE PLANS IS BASED ON 60 KSI STEEL, UNLESS NOTED OTHERWISE. WITH THE ENGINEER'S PERMISSION, BAR SIZE AND SPACING MAY BE MODIFIED ACCORDING TO THE LATEST AASHTO LRFD BRIDGE DESIGN SPECIFICATION AND STRUCTURES DESIGN MANUAL WHEN USING HIGHER STRENGTH STEEL.

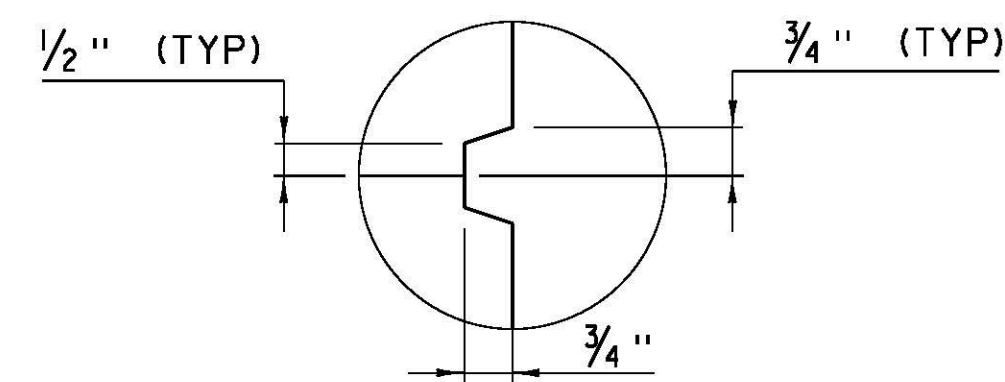


**TYPICAL HORIZONTAL CONSTRUCTION JOINT**  
(NOT TO SCALE)

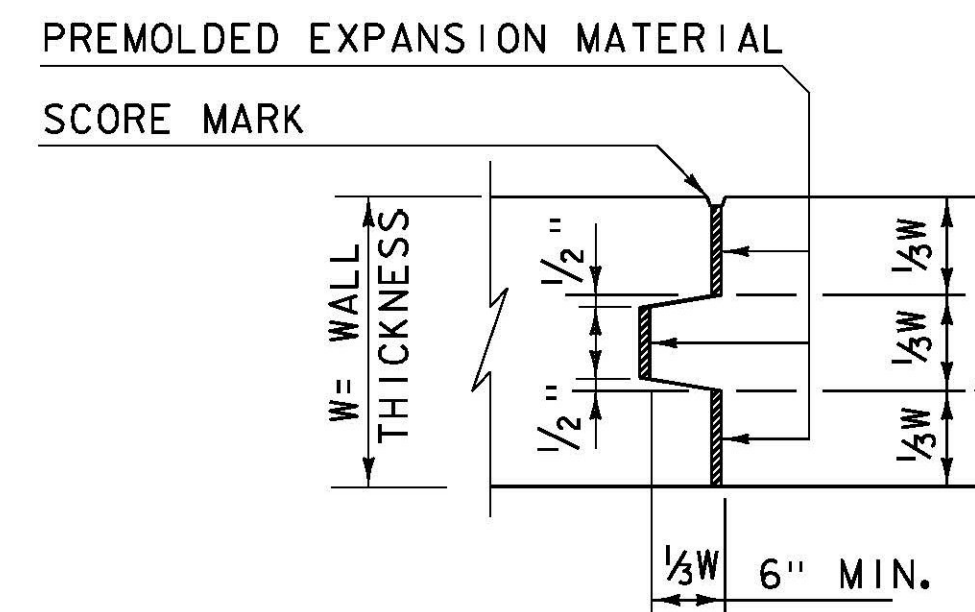
1. THE SURFACE OF THE CONCRETE CONSTRUCTION JOINTS SHALL BE CLEANED AND FREE OF LAITANCE.
2. IMMEDIATELY BEFORE NEW CONCRETE IS PLACED, ALL CONSTRUCTION JOINTS SHALL BE WETTED AND STANDING WATER REMOVED.



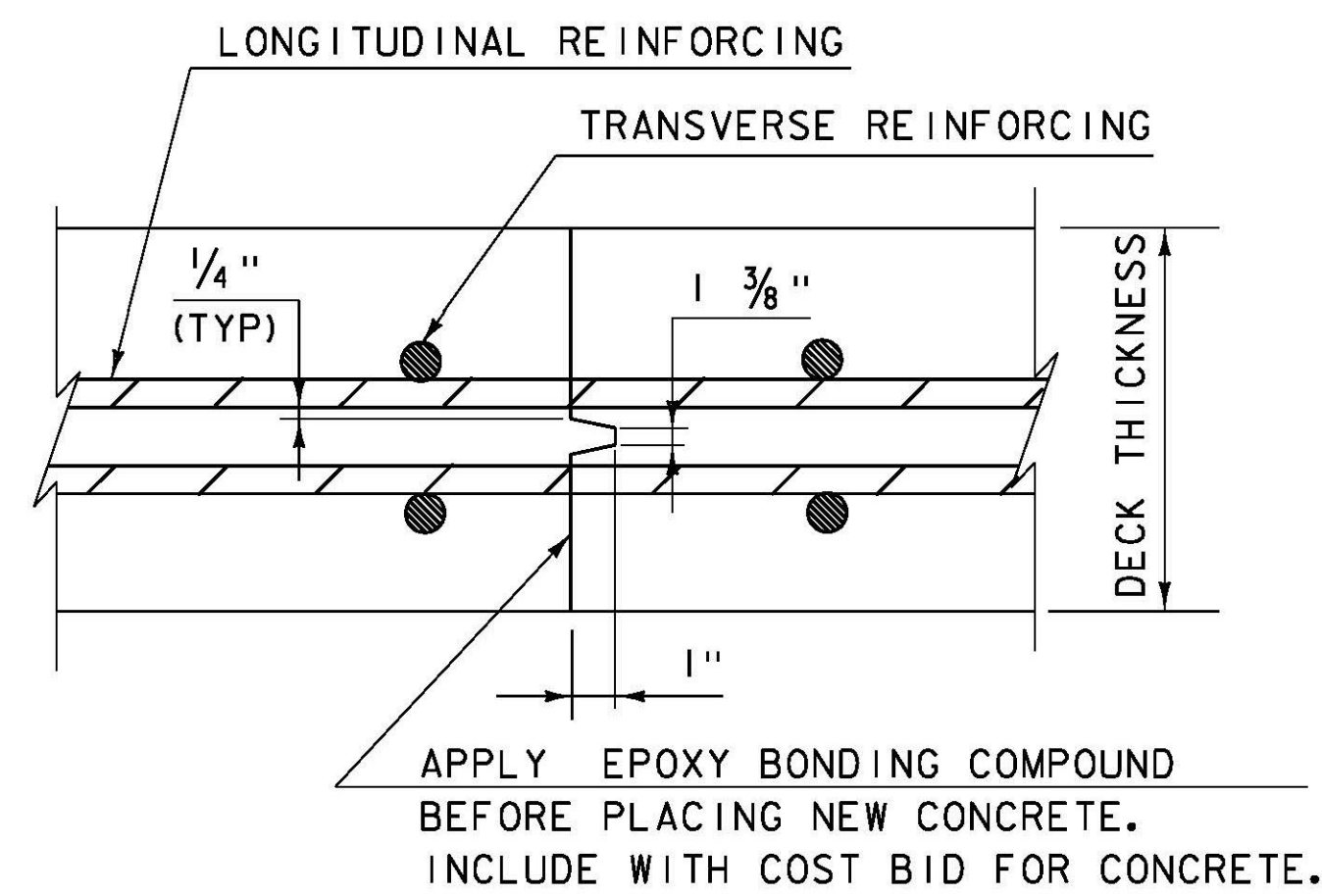
**TYPICAL CONCRETE CONSTRUCTION JOINT**  
(NOT TO SCALE)



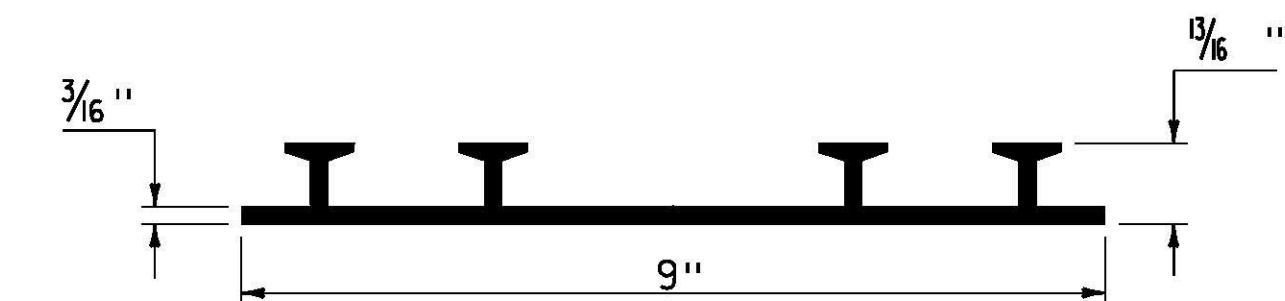
**SCORE MARK DETAIL**  
(NOT TO SCALE)



**TYPICAL CONCRETE EXPANSION JOINT**  
(NOT TO SCALE)



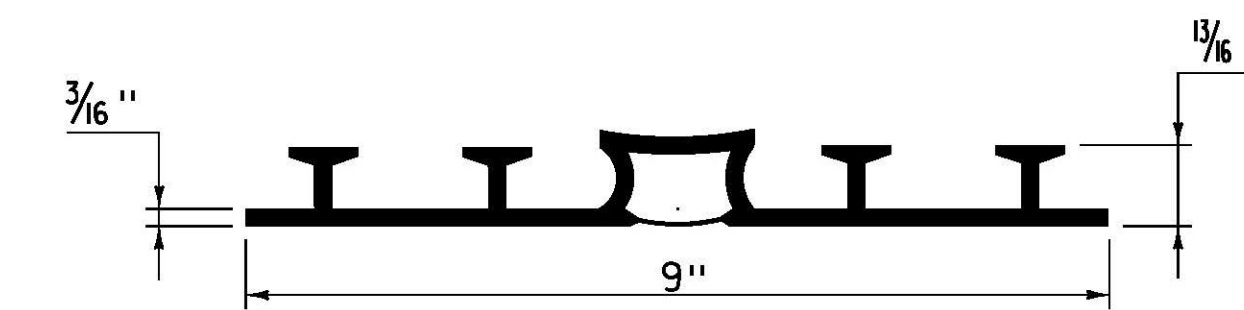
**TRANSVERSE BRIDGE SLAB CONSTRUCTION JOINT DETAILS**  
(NOT TO SCALE)



**P.V.C. WATERSTOP FOR CONSTRUCTION JOINTS**  
(NOT TO SCALE)

PAYMENT FOR THE P.V.C. WATERSTOP SHALL BE INCIDENTAL TO THE UNIT BID PRICE FOR THE ADJACENT CONCRETE.

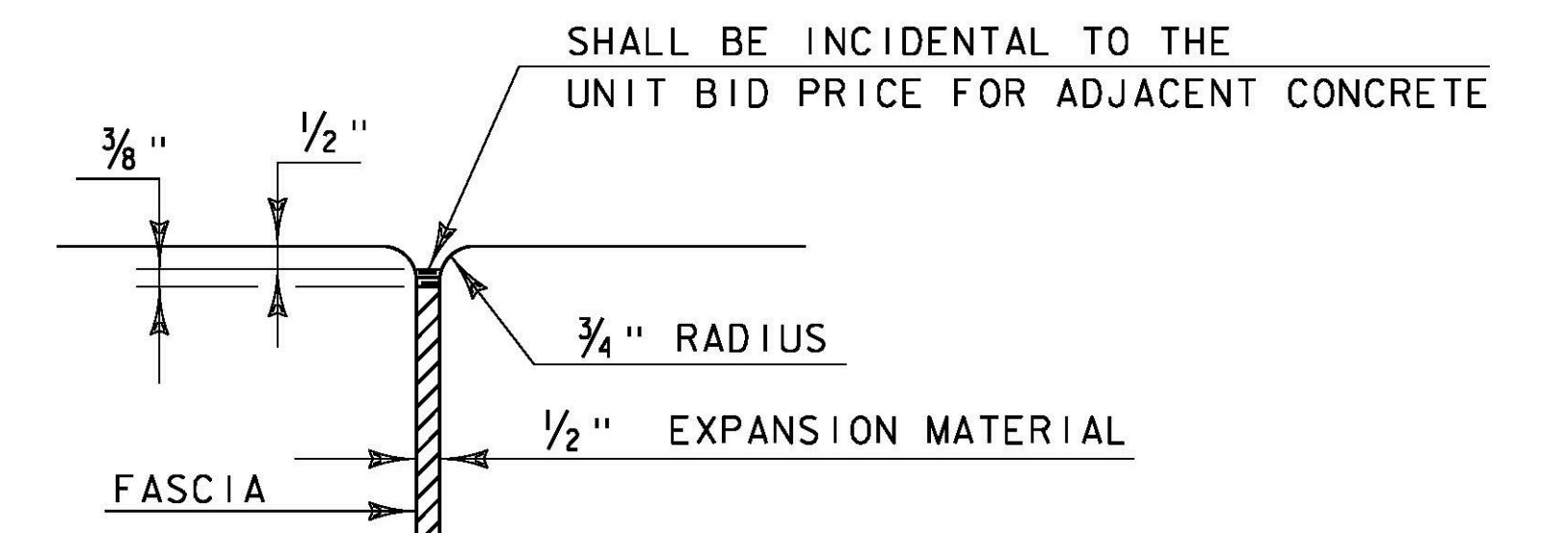
OTHER CONFIGURATIONS OF WATERSTOP MAY BE USED UPON APPROVAL OF THE ENGINEER.



**P.V.C. WATERSTOP FOR EXPANSION JOINTS**  
(NOT TO SCALE)

PAYMENT FOR THE P.V.C. WATERSTOP SHALL BE INCIDENTAL TO THE UNIT BID PRICE FOR THE ADJACENT CONCRETE.

OTHER CONFIGURATIONS OF WATERSTOP MAY BE USED UPON APPROVAL OF THE ENGINEER.

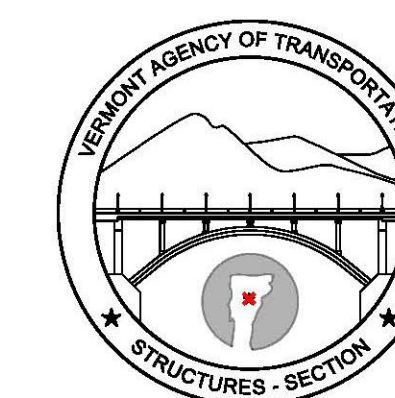


**JOINT BETWEEN FASCIA AND WINGWALL**  
(NOT TO SCALE)

#### REVISIONS

MAY 7, 2010	APPROVED FOR USE BY VAOT STRUCTURES SECTION
FEBRUARY 9, 2012	REBAR SUBSTITUTION ALLOWANCE ADDED TO CONCRETE GENERAL NOTES.

## CONCRETE DETAILS AND NOTES



**STRUCTURES  
DETAIL  
SD-501.00**