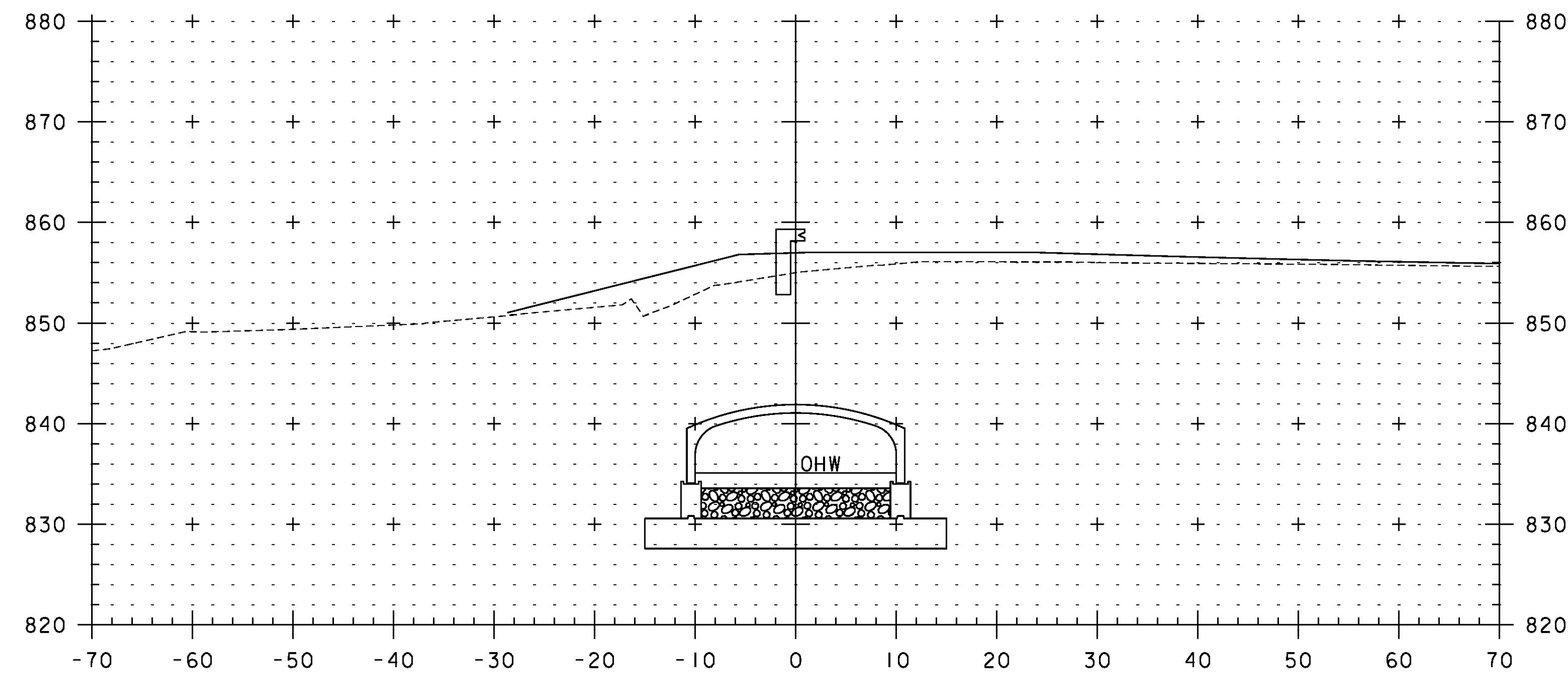
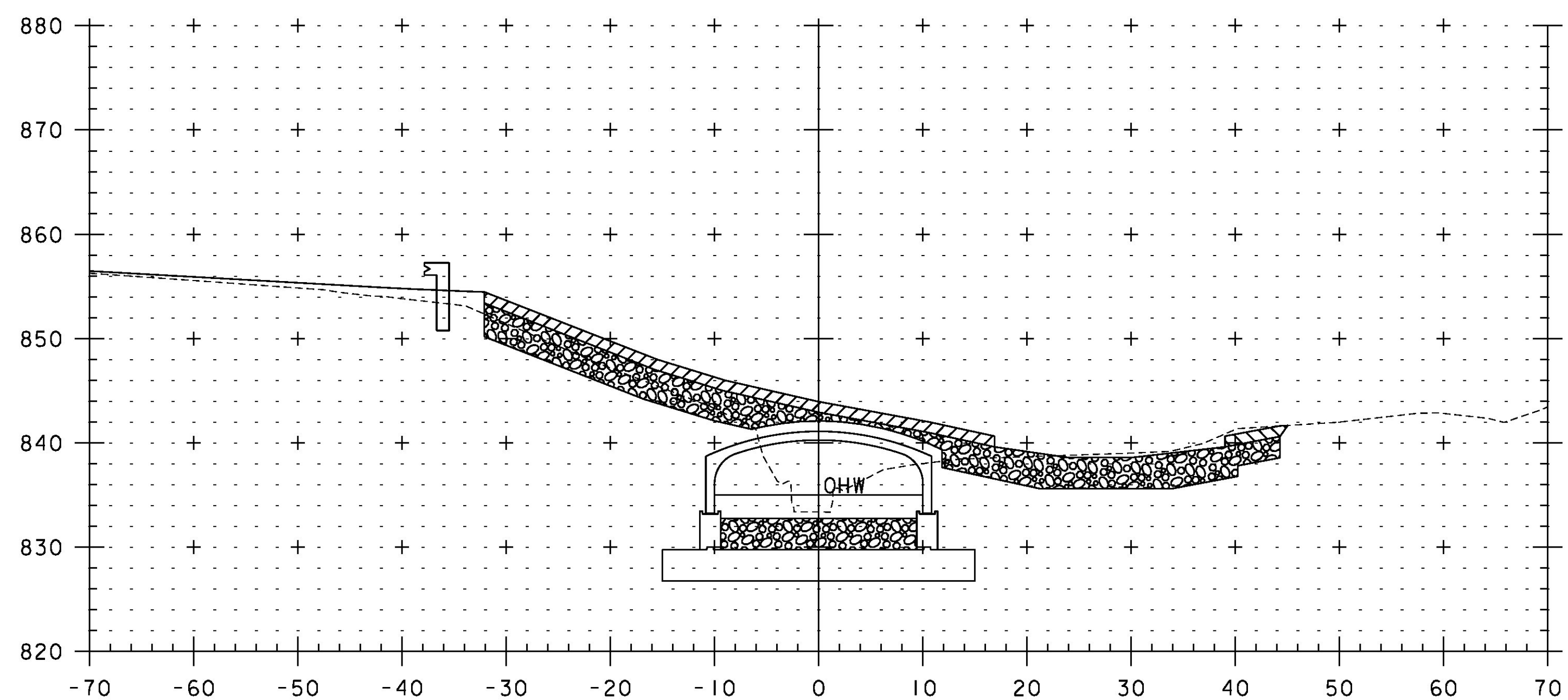


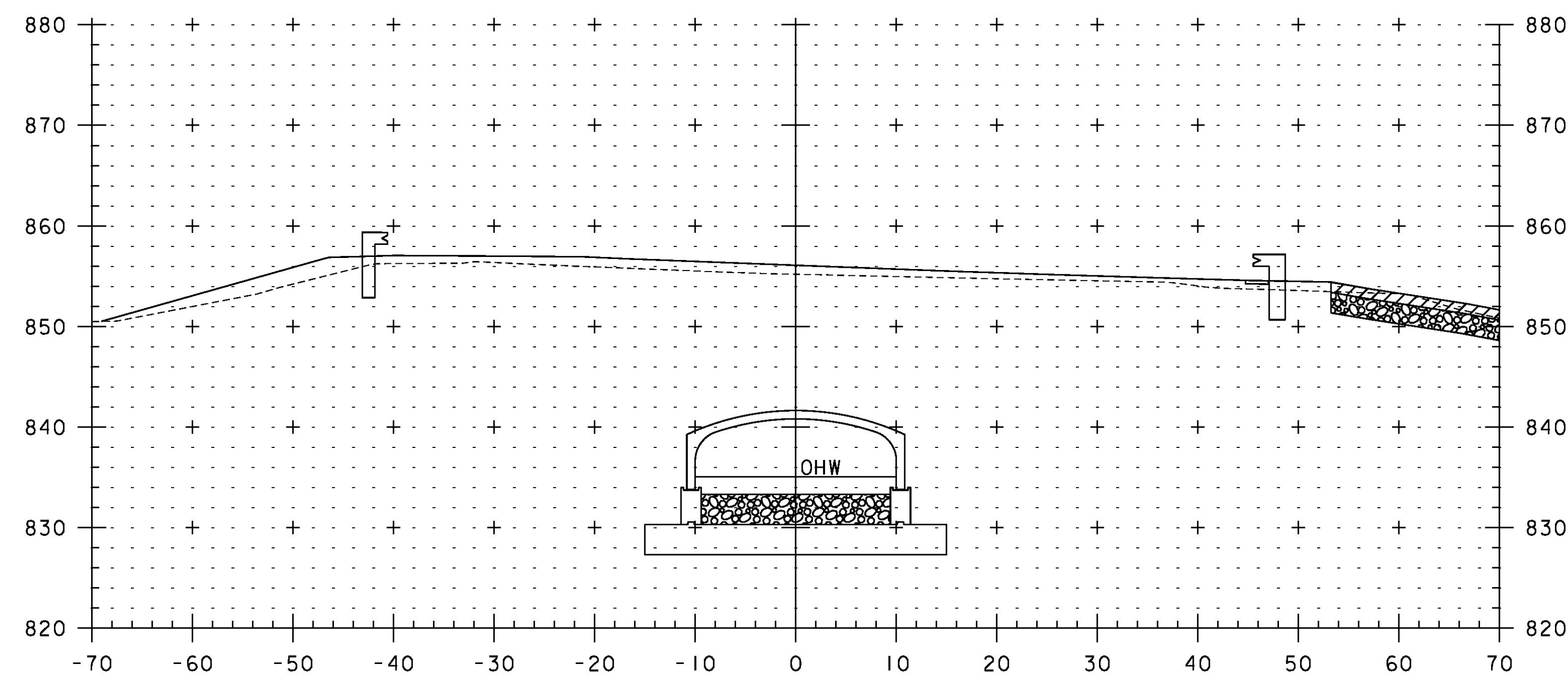
I+25



I+75

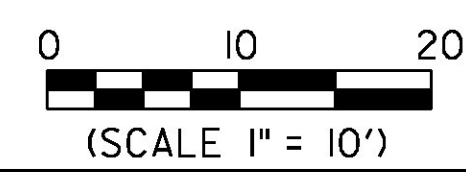


I+00



I+50

STA. I+00 TO STA. I+75



PROJECT NAME:	LUNENBURG	FILE NAME:	IIB294/cos/zlib294xschan.dgn	PLOT DATE:	8/6/2015
PROJECT NUMBER:	NH CULV(27)	PROJECT LEADER:	J. BYATT	DRAWN BY:	M. SMITH
		DESIGNED BY:	S. BEAUMONT	CHECKED BY:	J. BYATT
		CHANNEL CROSS SECTIONS 2		SHEET	60 OF 74

CLD_I2-0106 MODEL: XS02