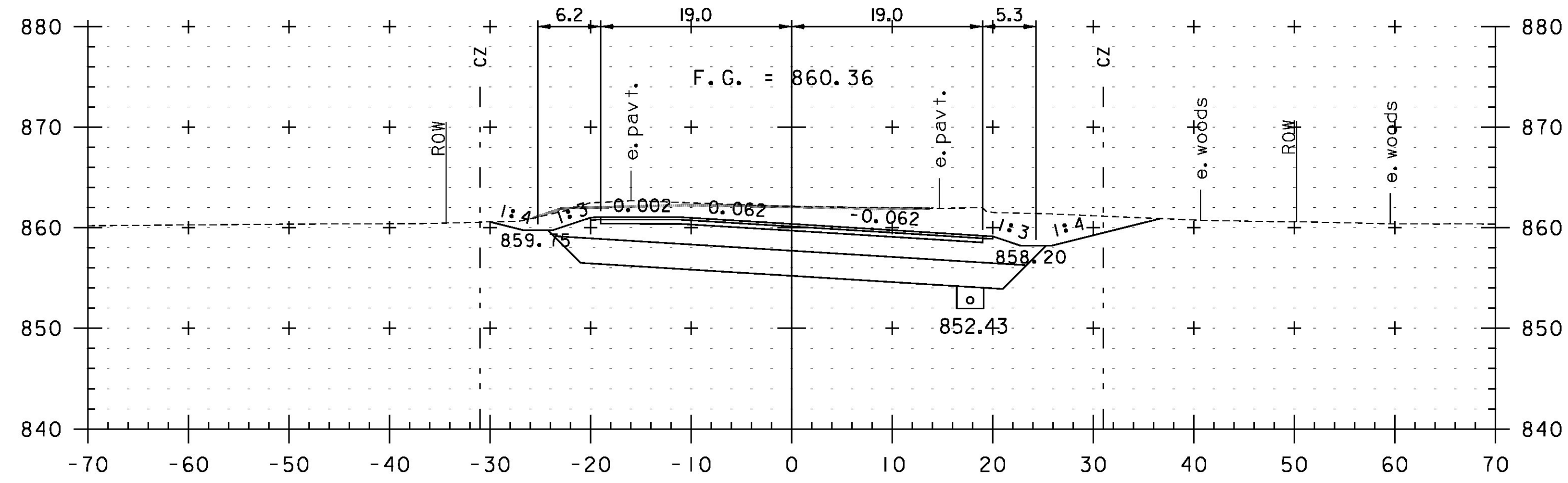
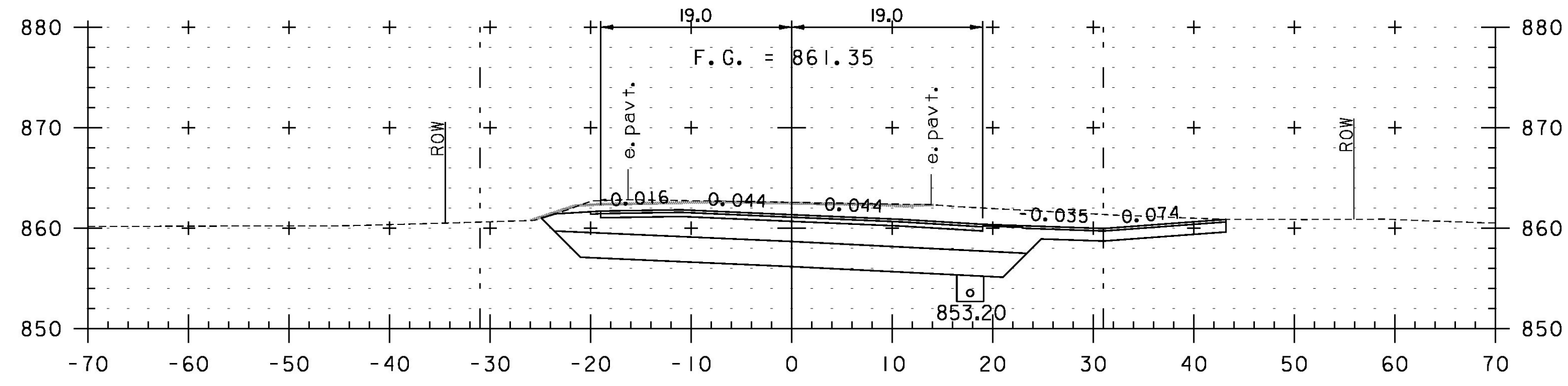


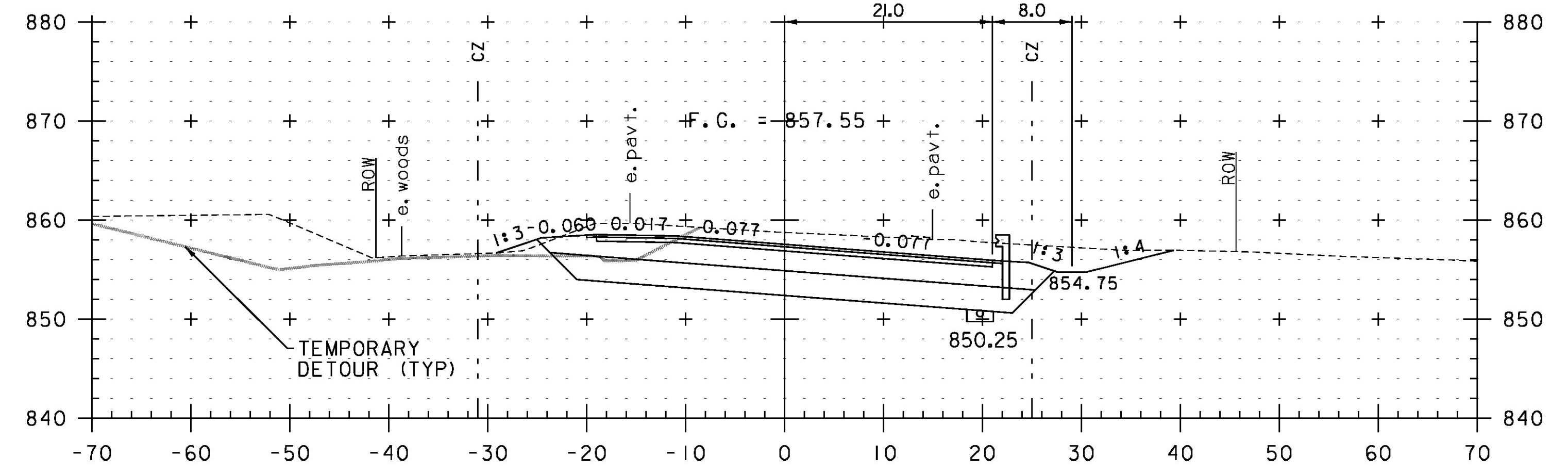
427+35
DRIVE LT



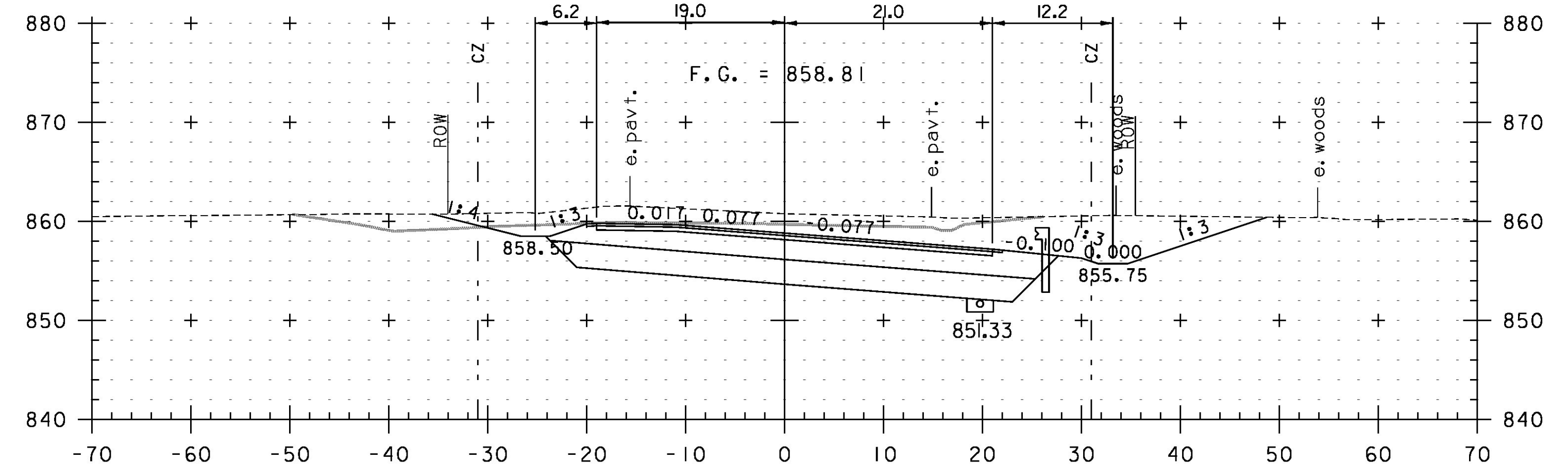
427+00



426+65
DRIVE RT



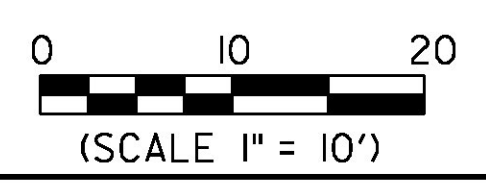
428+00



427+50

STA. 426+65 TO STA. 428+00

PROJECT NAME:	LUNENBURG	PLOT DATE:	8/6/2015
PROJECT NUMBER:	NH CULV(27)	DRAWN BY:	M. HALEY
FILE NAME:	IIB294/cos/zlib294xsl.dgn	DESIGNED BY:	M. HALEY
PROJECT LEADER:	J. BYATT	CHECKED BY:	P. SHEDD
ROADWAY CROSS SECTIONS 2			SHEET 51 OF 74



CLD_12-0106 MODEL: XS02