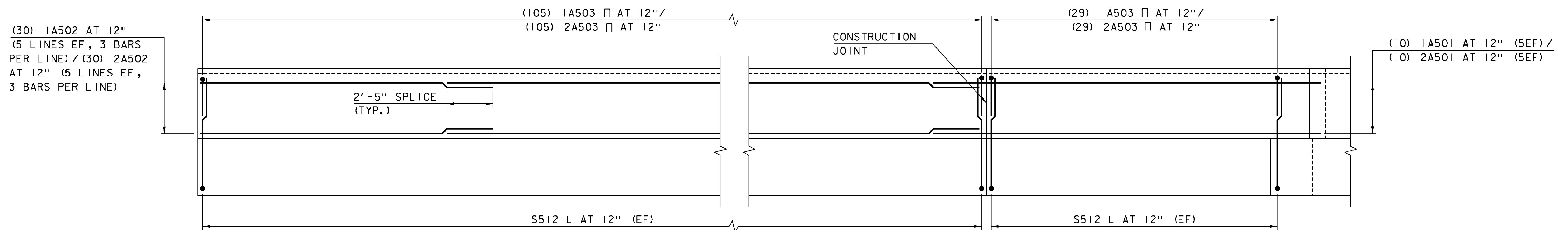


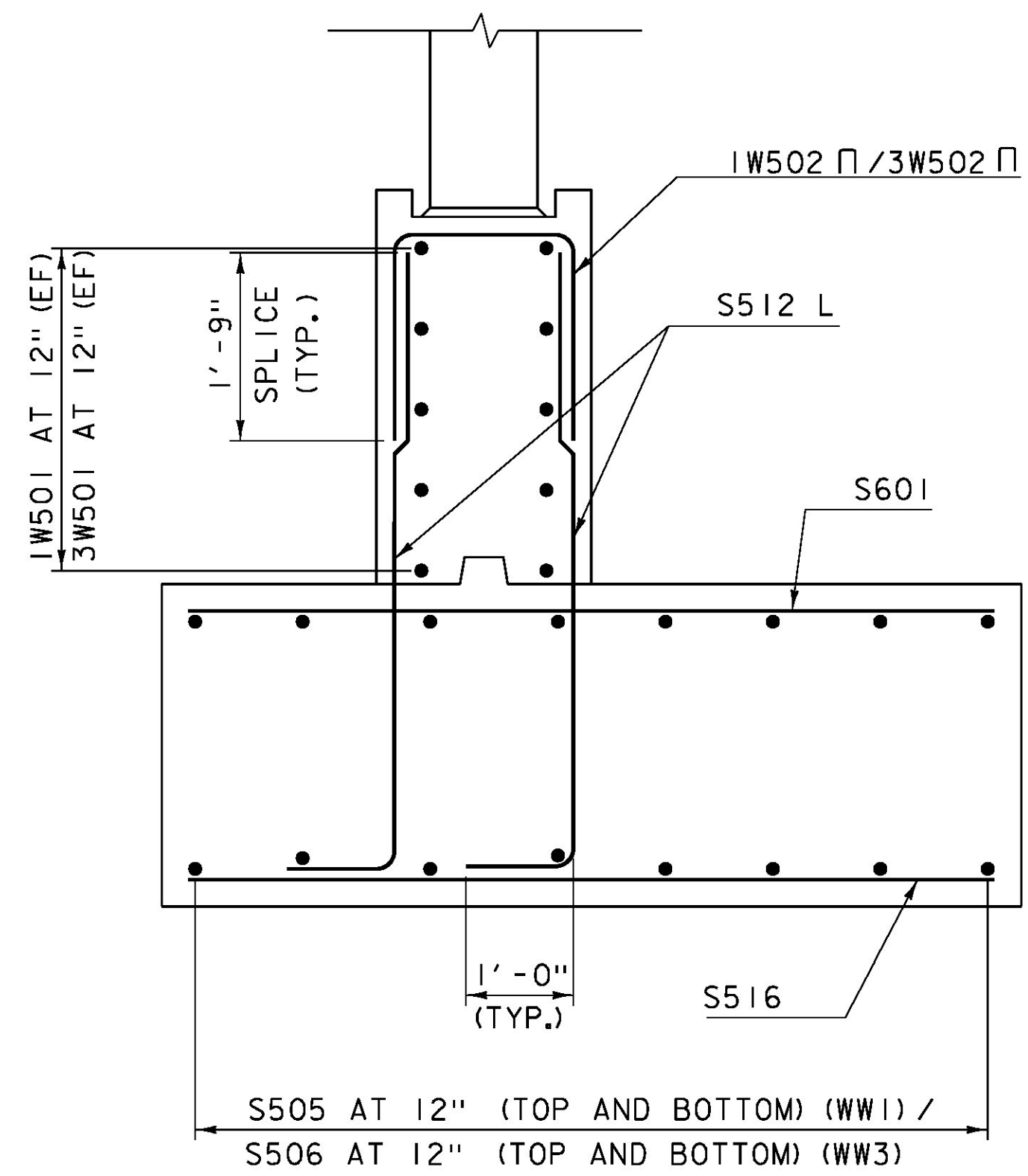
UPSTREAM WINGWALL PEDESTAL WALL
REINFORCING ELEVATION

SCALE: 3/8" = 1'-0"



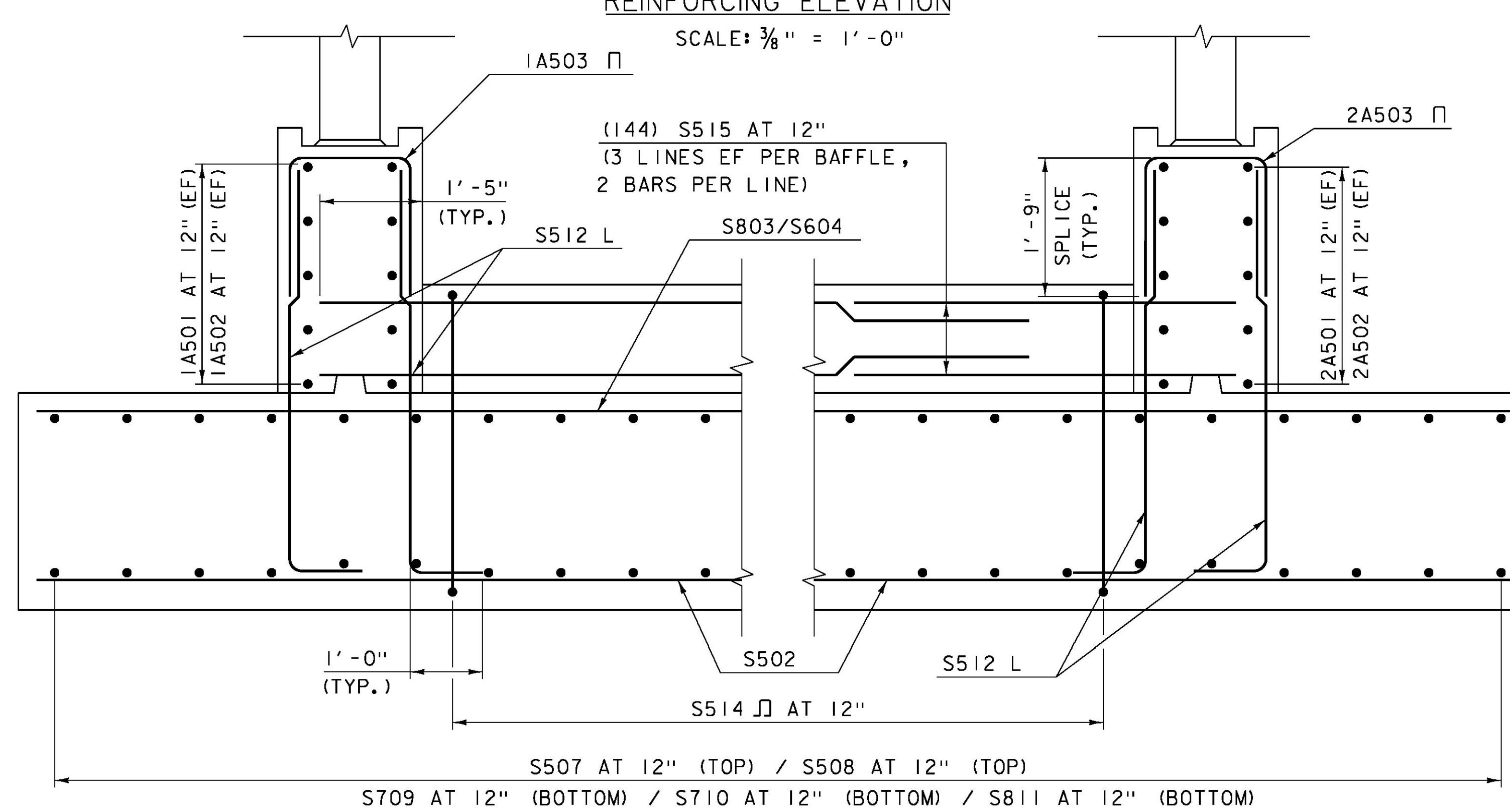
ARCH AND DOWNSTREAM WINGWALL PEDESTAL WALL
REINFORCING ELEVATION

SCALE: 3/8" = 1'-0"



TYPICAL UPSTREAM WINGWALL FOOTING
REINFORCING SECTION

SCALE: 3/4" = 1'-0"



TYPICAL ARCH MAT FOUNDATION REINFORCING SECTION (AT BAFFLE)
(TYPICAL DOWNSTREAM WINGWALL MAT FOUNDATION REINFORCING SECTION SIMILAR)

SCALE: 3/4" = 1'-0"

NOTES:

- NF = NEAR FACE
- FF = FAR FACE
- EF = EACH FACE
- 3" CLEAR IN MAT FOUNDATION,
- 2" CLEAR AT ALL OTHER LOCATIONS.
- 2'-5" BAR LAP UNLESS OTHERWISE SPECIFIED ON THE PLANS

PROJECT NAME: LUNENBURG
PROJECT NUMBER: NH CULV(27)

FILE NAME: I1b294/cos/z11b294sub.dgn PLOT DATE: 8/6/2015
PROJECT LEADER: J. BYATT DRAWN BY: M. SMITH
DESIGNED BY: S. BEAUMONT CHECKED BY: J. BYATT
SUBSTRUCTURE REINFORCING SHEET 2 SHEET 48 OF 74