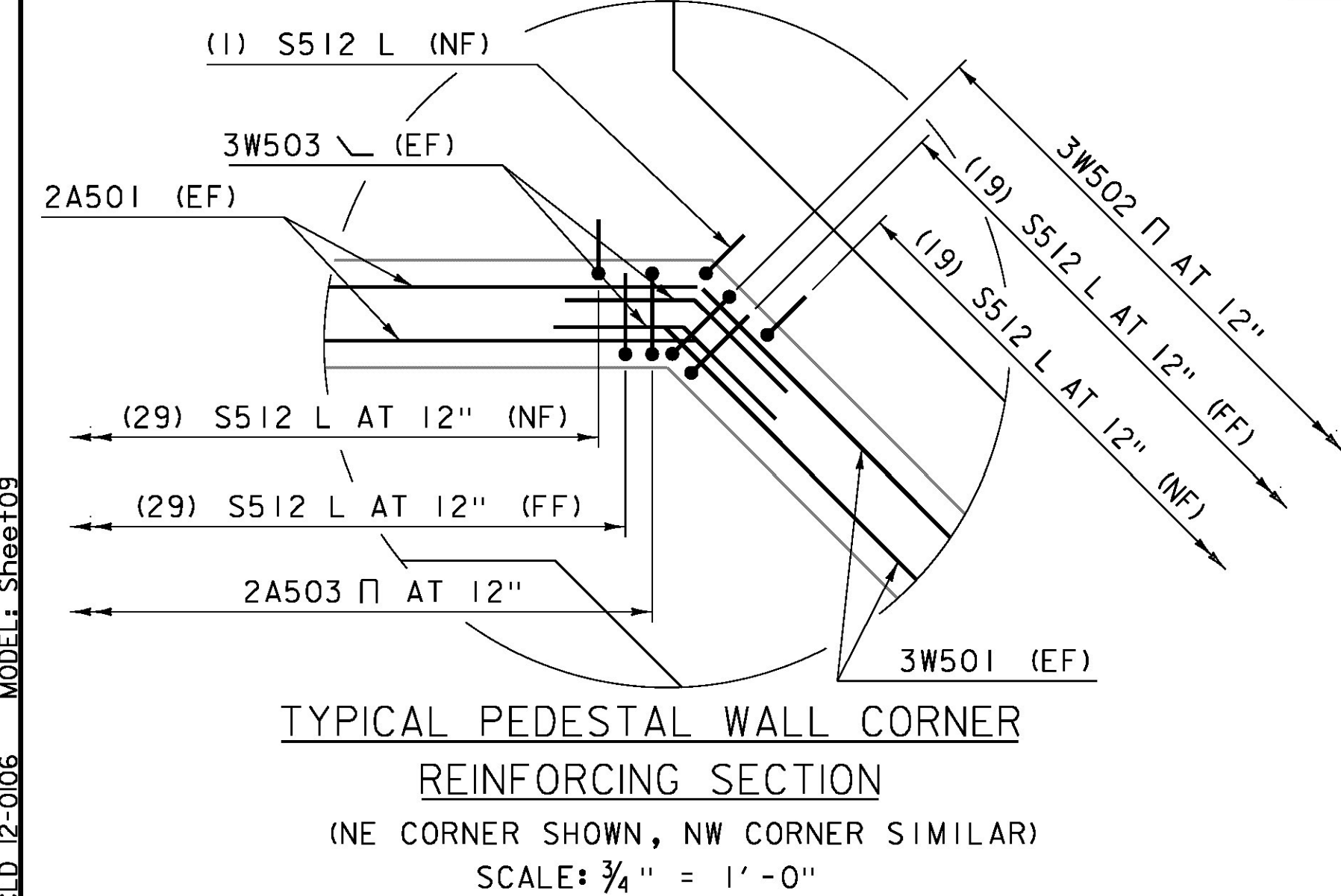
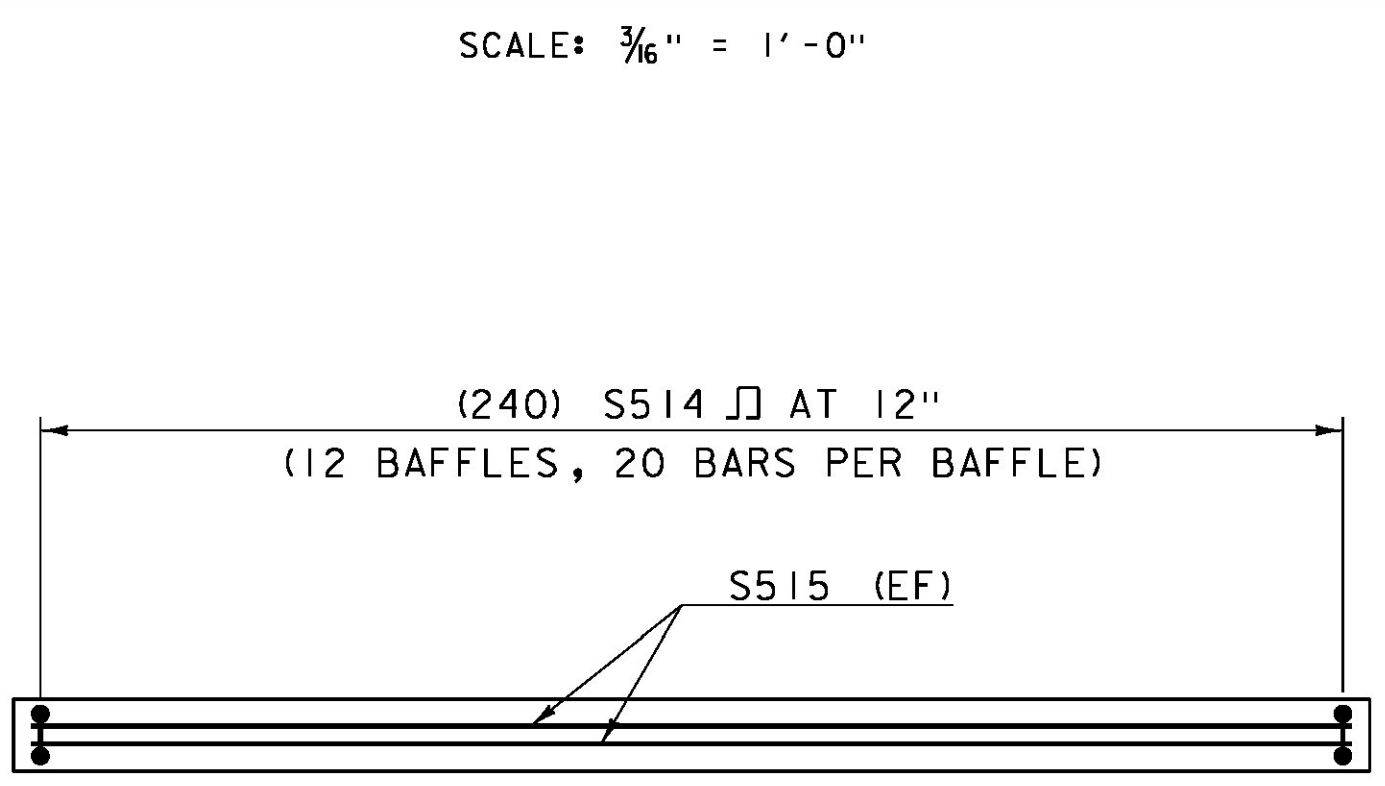


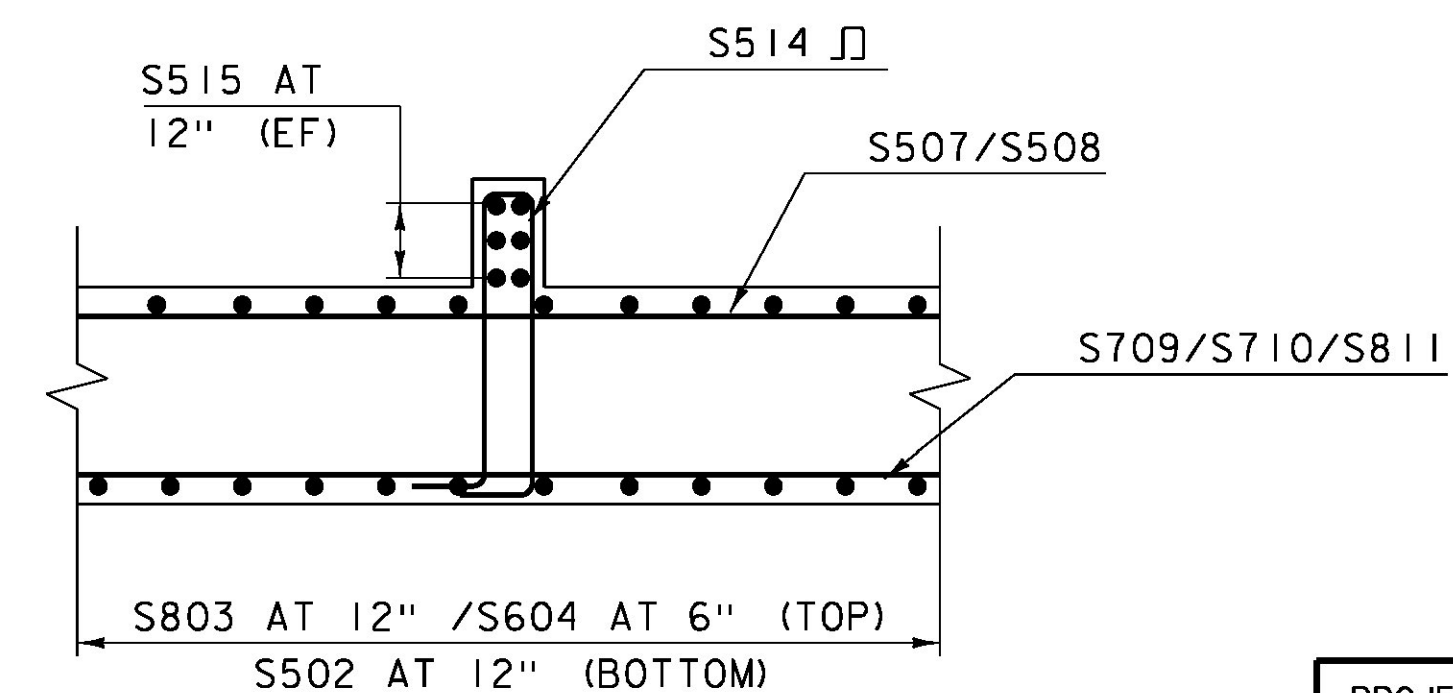
MAT FOUNDATION AND PEDESTAL WALL REINFORCING PLAN



TYPICAL PEDESTAL WALL CORNER REINFORCING SECTION  
(NE CORNER SHOWN, NW CORNER SIMILAR)  
SCALE: 3/4" = 1'-0"



TYPICAL BAFFLE REINFORCING PLAN  
SCALE: 3/8" = 1'-0"



TYPICAL BAFFLE REINFORCING SECTION  
SCALE: 3/8" = 1'-0"

NOTES:  
 NF = NEAR FACE  
 FF = FAR FACE  
 EF = EACH FACE  
 3" CLEAR IN MAT FOUNDATION,  
 2" CLEAR AT ALL OTHER LOCATIONS.  
 2'-5" BAR LAP UNLESS OTHERWISE  
 SPECIFIED ON THE PLANS

PROJECT NAME:	LUNENBURG	FILE NAME:	11b294/cos/z11b294sub.dgn	PLOT DATE:	8/6/2015
PROJECT NUMBER:	NH CULV(27)	PROJECT LEADER:	J. BYATT	DRAWN BY:	M. SMITH
		DESIGNED BY:	S. BEAUMONT	CHECKED BY:	N. CARON
		SUBSTRUCTURE REINFORCING SHEET 1			SHEET 47 OF 74

CLD\_12-0106 MODEL: Sheet03

