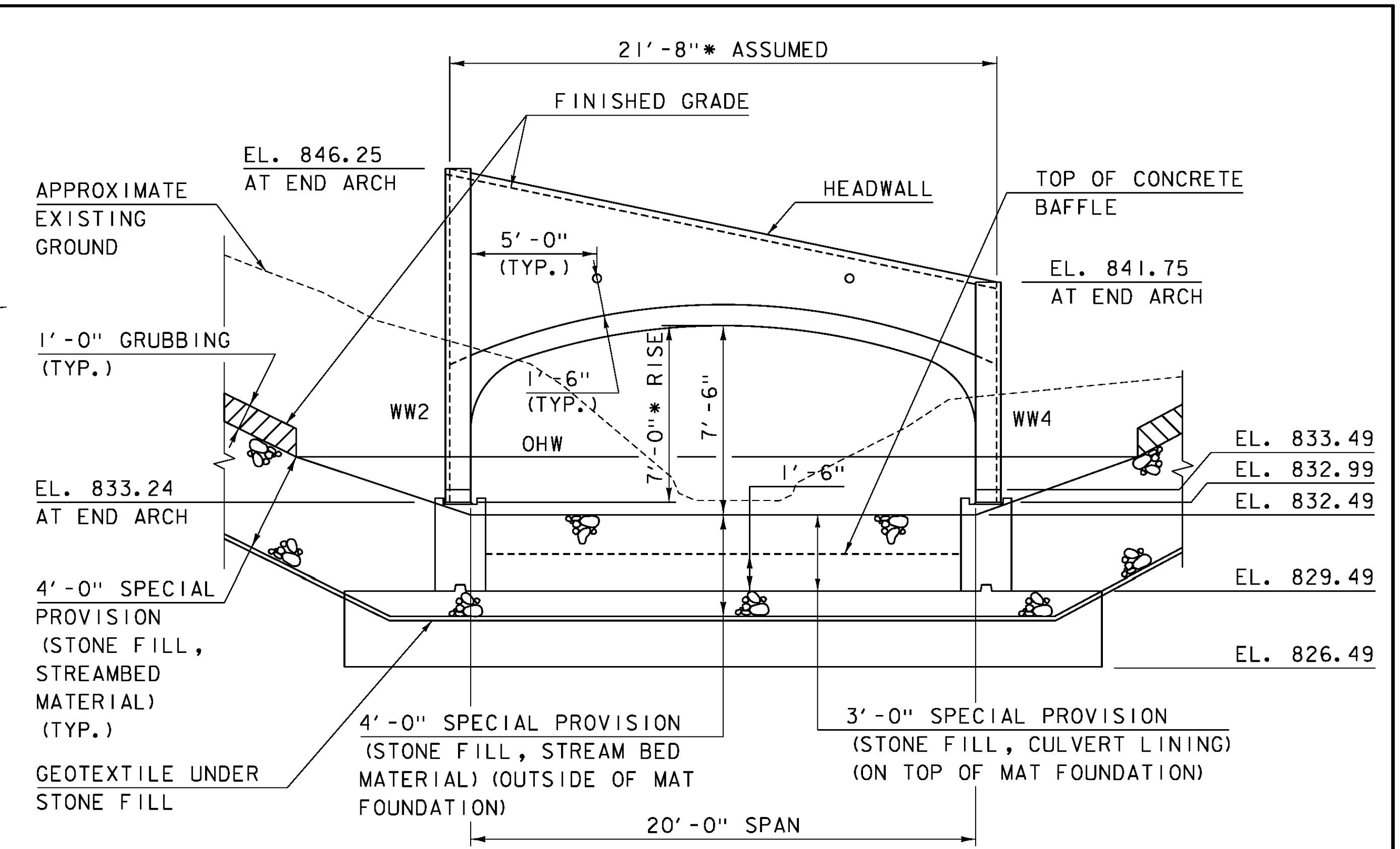


UPSTREAM ELEVATION

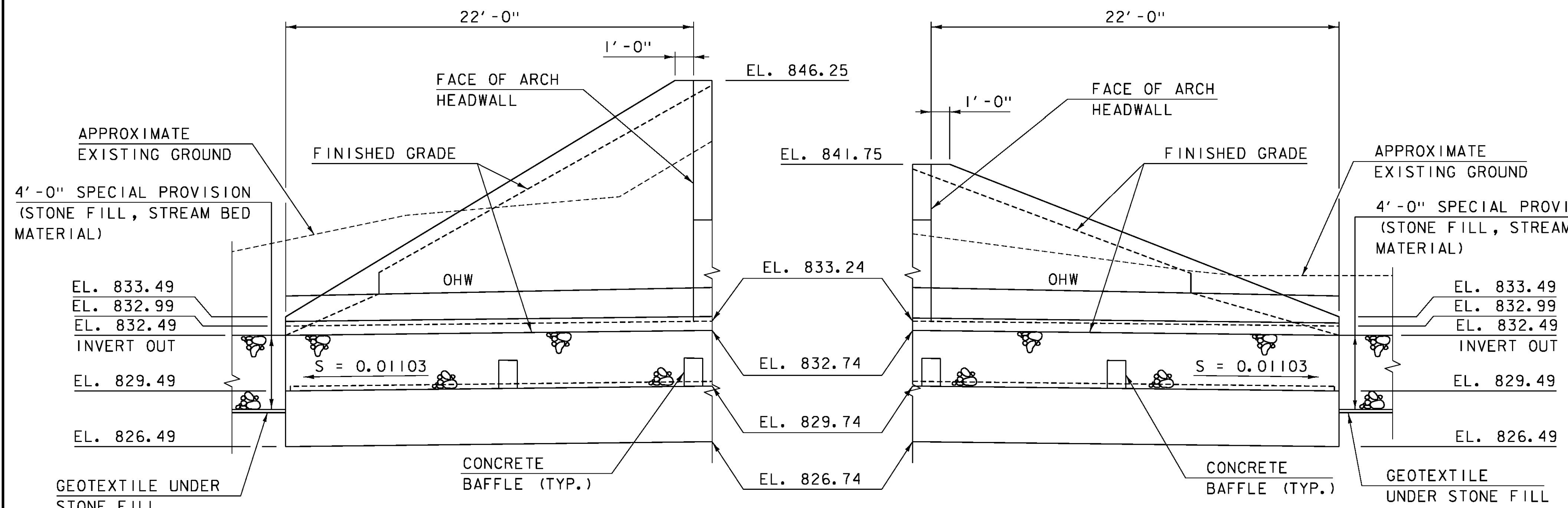
SCALE: 1/4" = 1'-0"



DOWNSTREAM ELEVATION

SCALE: 1/4" = 1'-0"

NOTE: ALL ELEVATIONS SHOWN AT END OF MAT FOUNDATION (INVERT OUT) LOCATION UNLESS OTHERWISE NOTED.

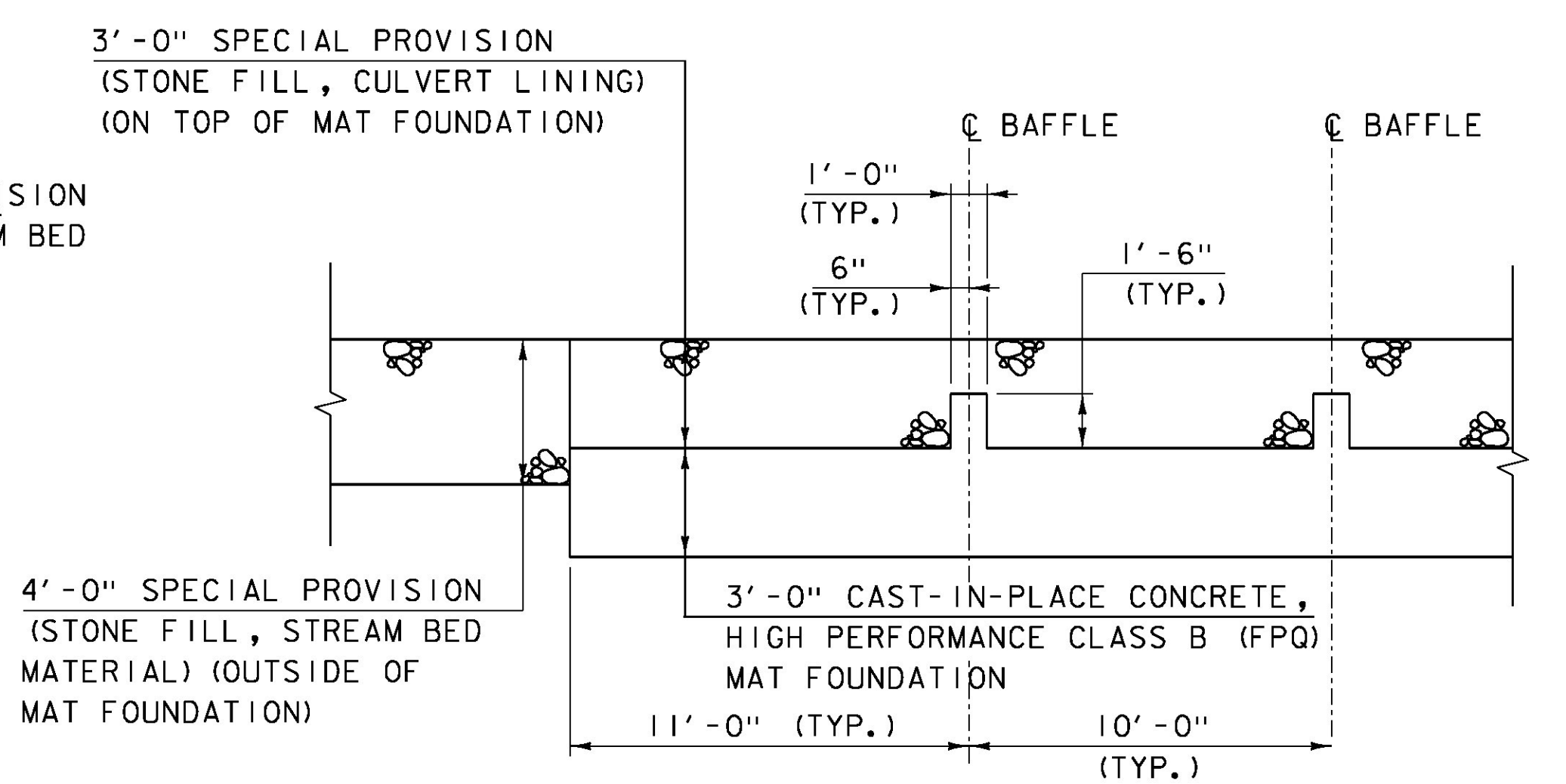


WW2 ELEVATION

WW4 ELEVATION

DOWNSTREAM WINGWALL ELEVATIONS

SCALE: 1/4" = 1'-0"



TYPICAL BAFFLE DETAIL

SCALE: 1/4" = 1'-0"

NOTES:

\* SEE PRECAST CONCRETE ARCH NOTES ON SHEET 10.

ALL TOP OF PEDESTAL WALL ELEVATIONS ARE TO THE WORKING LINE AS DEFINED ON THE TYPICAL SECTIONS ON SHEET 46.



|                 |             |                                   |                           |             |          |
|-----------------|-------------|-----------------------------------|---------------------------|-------------|----------|
| PROJECT NAME:   | LUNENBURG   | FILE NAME:                        | 11b294/cos/z11b294sub.dgn | PLOT DATE:  | 8/6/2015 |
| PROJECT NUMBER: | NH CULV(27) | PROJECT LEADER:                   | J. BYATT                  | DRAWN BY:   | M. SMITH |
|                 |             | DESIGNED BY:                      | S. BEAUMONT               | CHECKED BY: | J. BYATT |
|                 |             | ARCH AND WINGWALL DETAILS SHEET 2 |                           | SHEET       | 44 OF 74 |

CLD\_12-0106 MODEL: Sheet06