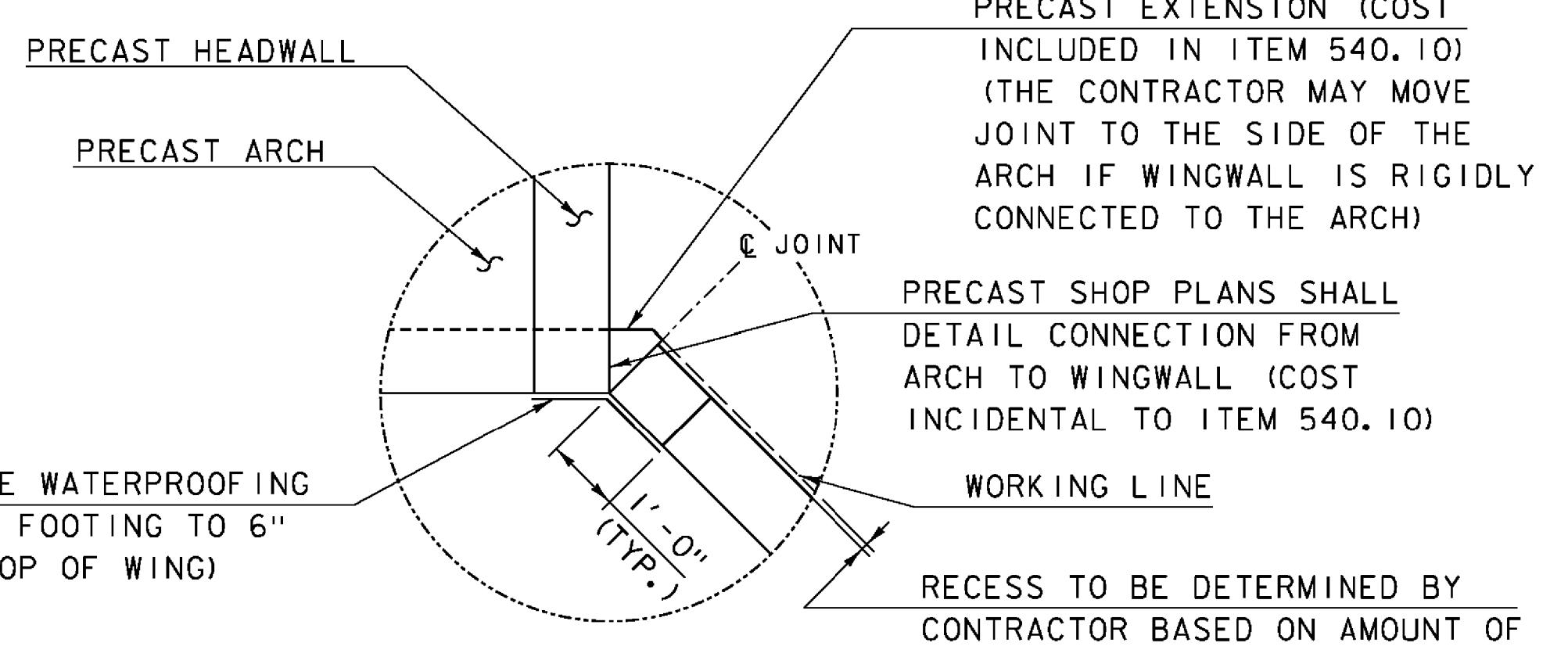


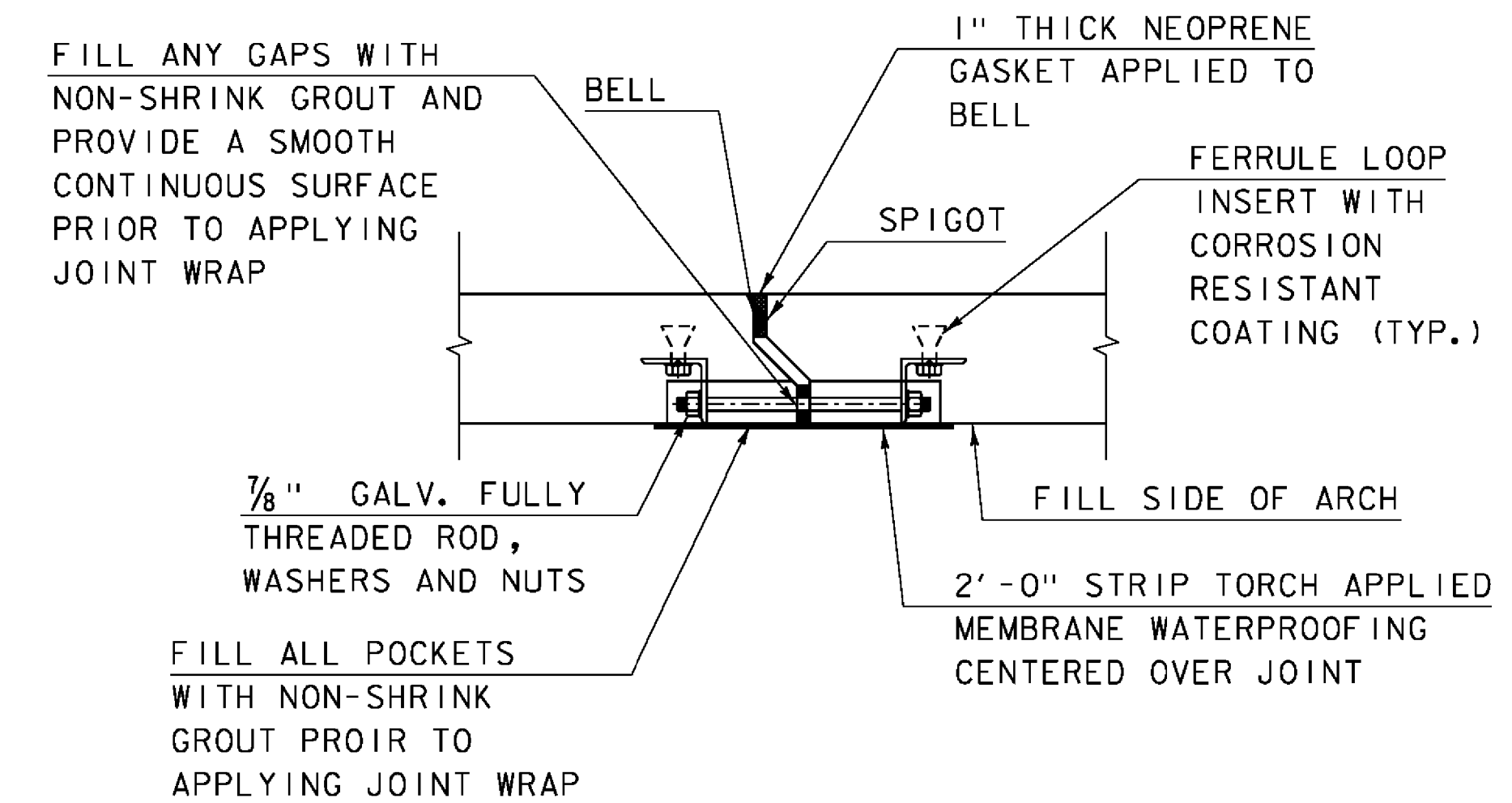
WORKING POINTS				
	STA.	OFFSET	NORTHING	EASTING
WP1	428+88.14	57.07	724,751.1812	1,867,930.3047
WP2	429+01.70	38.91	724,766.9077	1,867,945.6890
WP3	429+27.29	0.00	724,799.8564	1,867,977.9207
WP4	429+57.69	-56.07	724,845.9555	1,868,023.0168
WP5	429+55.04	-65.82	724,856.1333	1,868,022.9048
WP6	429+06.73	68.29	724,737.1954	1,867,944.6015
WP7	429+19.92	49.75	724,752.9219	1,867,959.9858
WP8	429+50.38	0.00	724,794.1249	1,868,000.2922
WP9	429+74.00	-46.89	724,831.9670	1,868,037.3109
WP10	429+89.79	-52.90	724,832.1669	1,868,055.4882

**NOTES:**  
 \* ANGLE IS TO A CHORD BETWEEN WP3 AND WP8.  
 \*\* SEE PRECAST CONCRETE ARCH NOTES ON SHEET 10.

**ARCH LAYOUT**  
 SCALE: 1/8" = 1'-0"

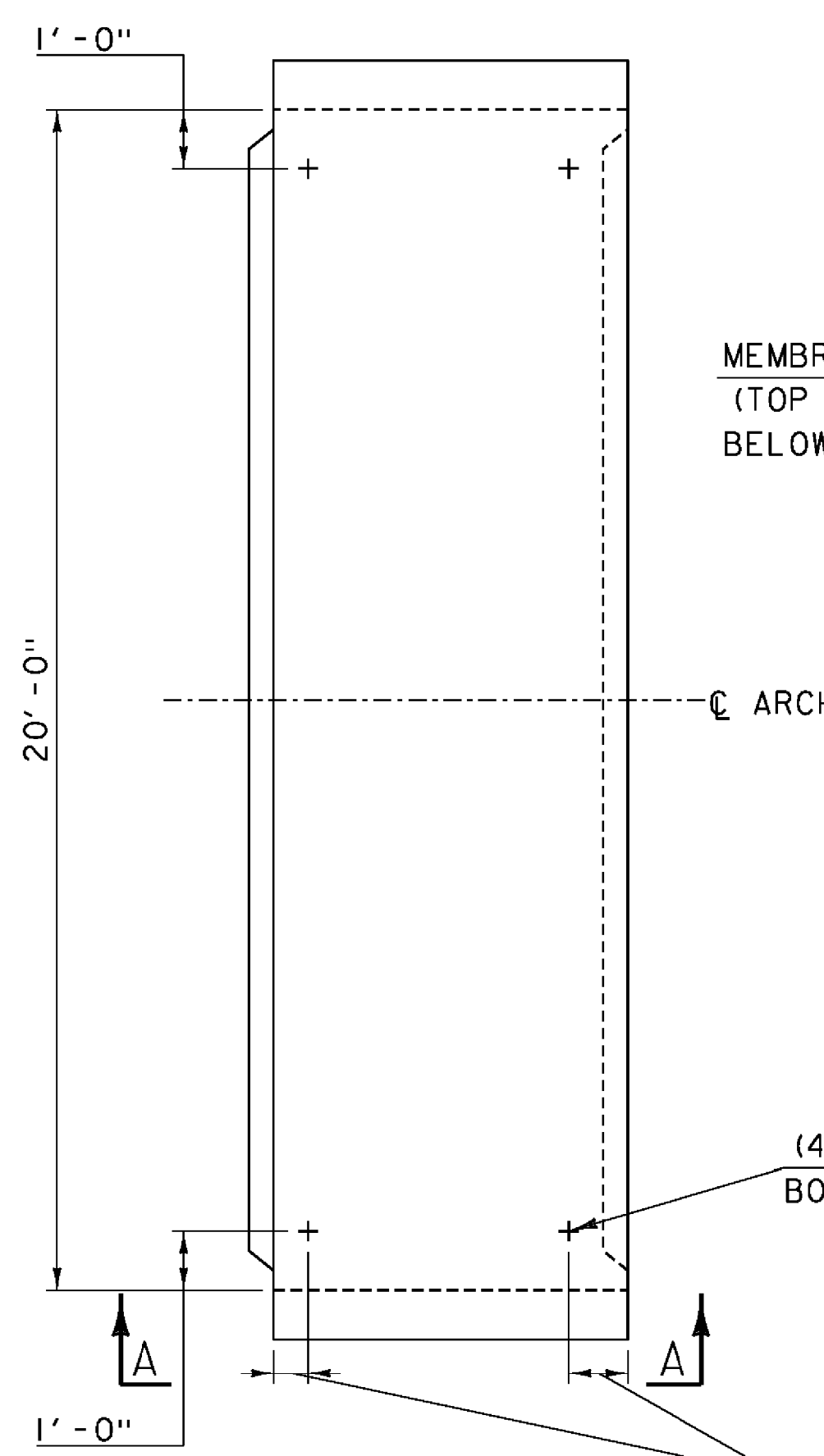


**DETAIL A**  
 (NE WINGWALL SHOWN, OTHERS SIMILAR)  
 SCALE: 1" = 1'-0"

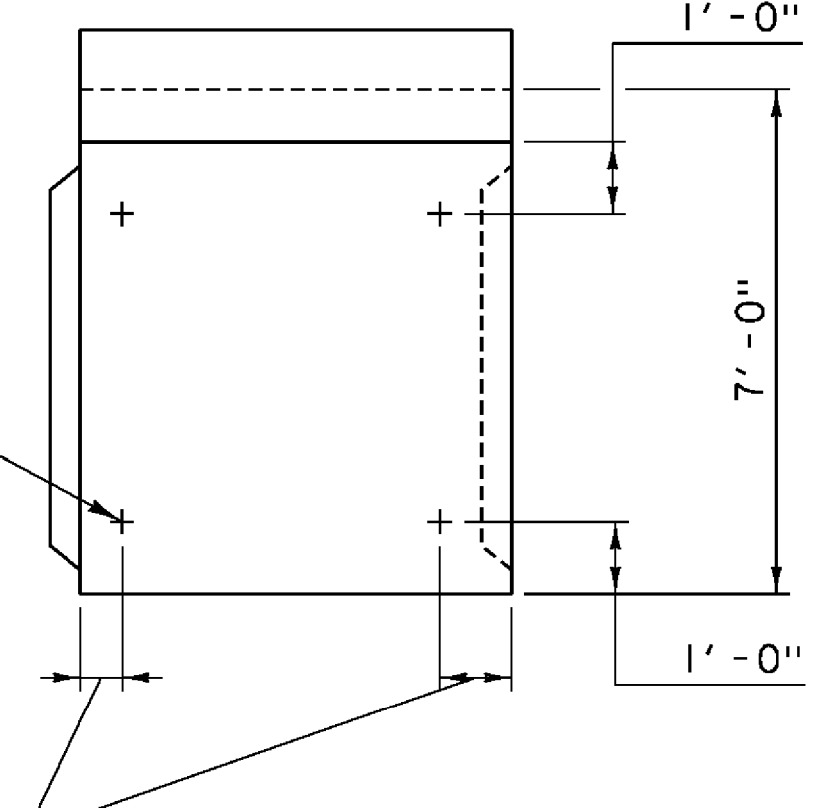


**ARCH JOINT DETAIL**  
 SCALE: 1" = 1'-0"

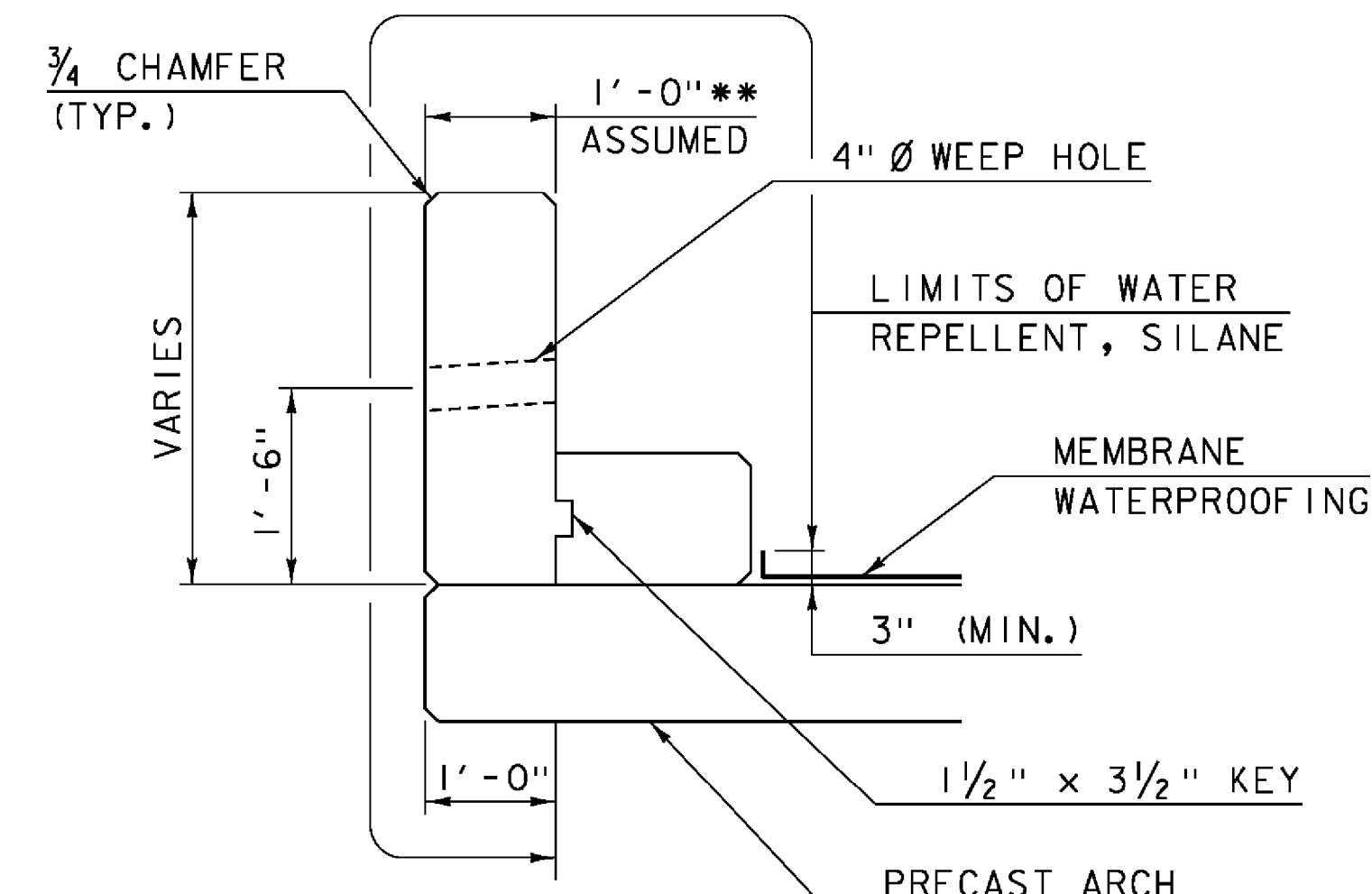
**\*NOTE: FOR ACTUAL DETAILS AND DIMENSIONS SEE FABRICATION DRAWINGS PROVIDED BY CONTECH ENGINEERED SOLUTIONS LLC. AND APPROVED BY CLD ON 4/22/16. TYPICAL FOR ALL PRECAST UNITS**



**FERRULE LOOP INSERT PLAN**  
 SCALE: 3/8" = 1'-0"



**SECTION A-A**  
 SCALE: 3/8" = 1'-0"



**TYPICAL DETACHED HEADWALL DETAIL**  
 SCALE: 1/4" = 1'-0"



PROJECT NAME:	LUNENBURG	PLOT DATE:	8/6/2015
PROJECT NUMBER:	NH CULV(27)	PROJECT LEADER:	J. BYATT
FILE NAME:	11b294/cos/z11b294sub.dgn	DESIGNED BY:	S. BEAUMONT
ARCH AND WINGWALL DETAILS SHEET 1		CHECKED BY:	J. BYATT
			SHEET 43 OF 74

CLD 12-006 MODEL: Sheet105