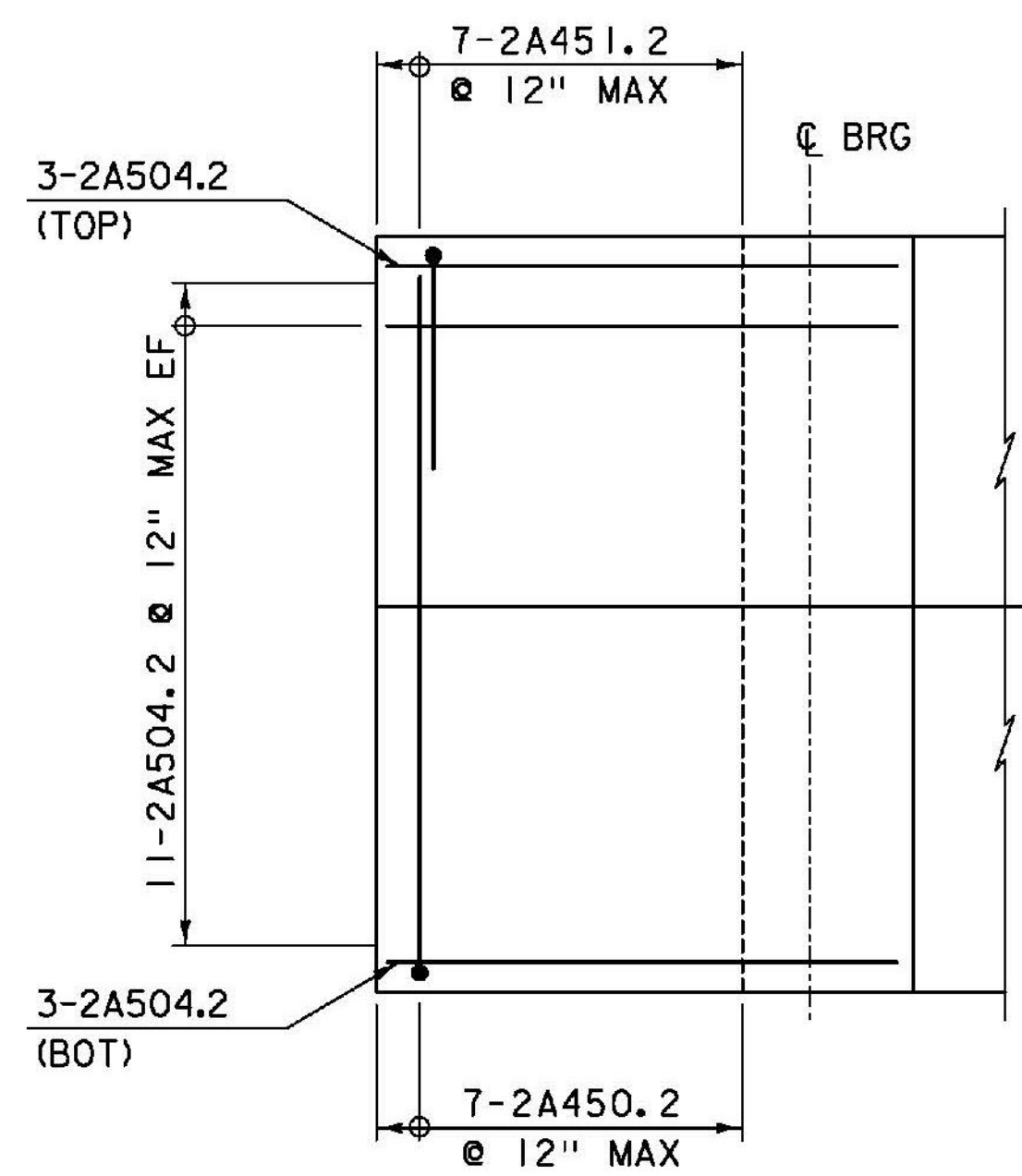


ABUTMENT NO. 2 REINFORCEMENT ELEVATION

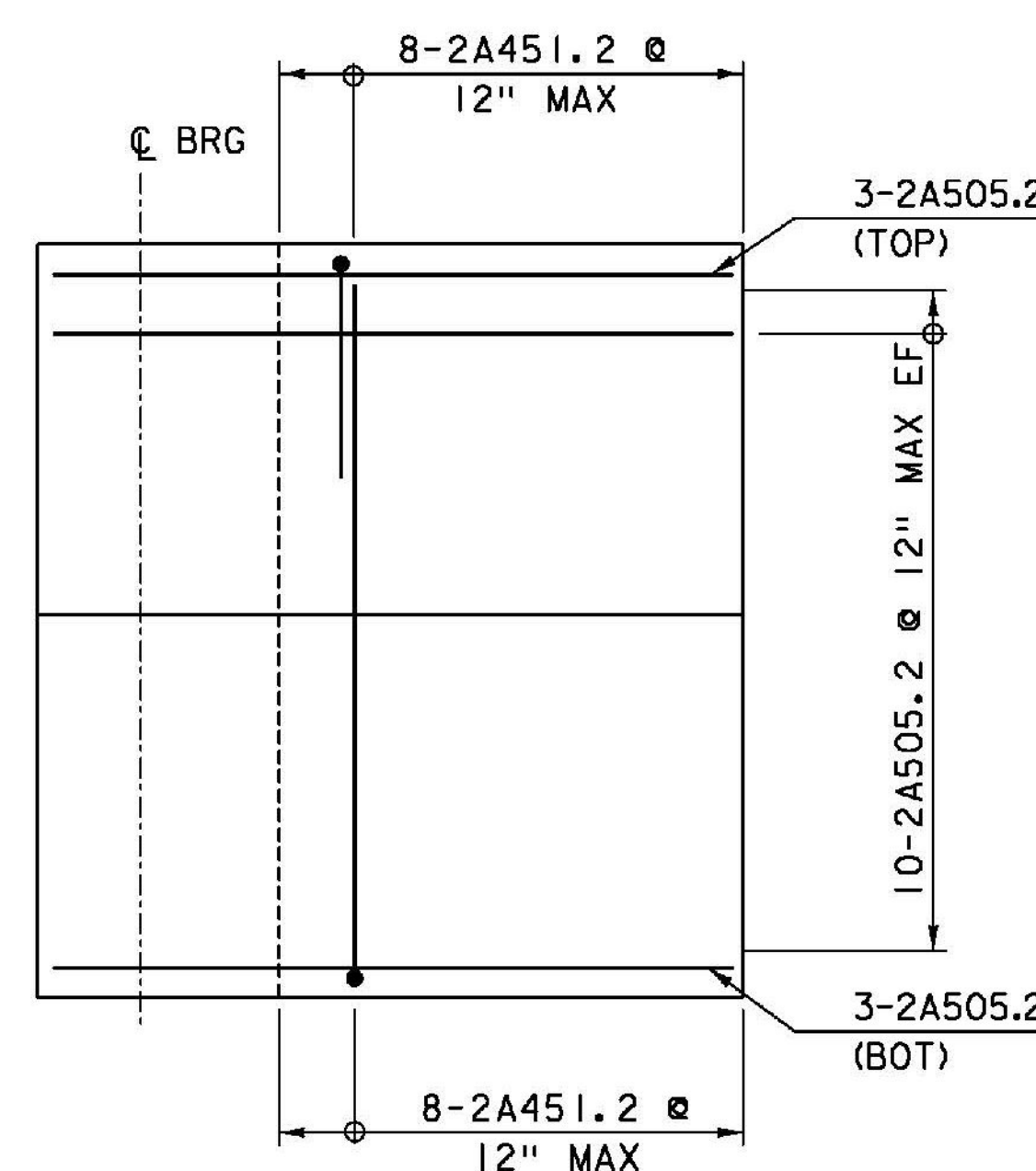
SCALE: 3/8" = 1'-0"

- GROUP 1: 2A51.2, 2A52.2
2A53.2, 2A54.2
- GROUP 2: 2A60.2, 2A70.2
2A71.2
- GROUP 3: 2A62.2, 2A50.2
2A51.2



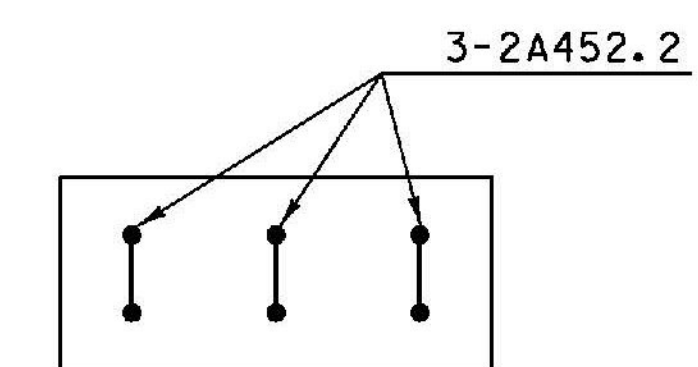
WINGWALL 3 - REINFORCEMENT ELEVATION

SCALE: 3/8" = 1'-0"



WINGWALL 4 - REINFORCEMENT ELEVATION

SCALE: 3/8" = 1'-0"



TYPICAL PEDESTAL REINFORCEMENT PLAN

SCALE: 1/2" = 1'-0"

TYLININTERNATIONAL

PROJECT NAME: HYDE PARK
PROJECT NUMBER: STP CULV(26)

FILE NAME: zllb292bdrabut2r.dgn
PROJECT LEADER: R. HEBERT
DESIGNED BY: D. MYERS
ABUTMENT 2 - REINFORCEMENT

PLOT DATE: 11/6/2013
DRAWN BY: S. MORGAN
CHECKED BY: T. POULIN
SHEET 37 OF 60