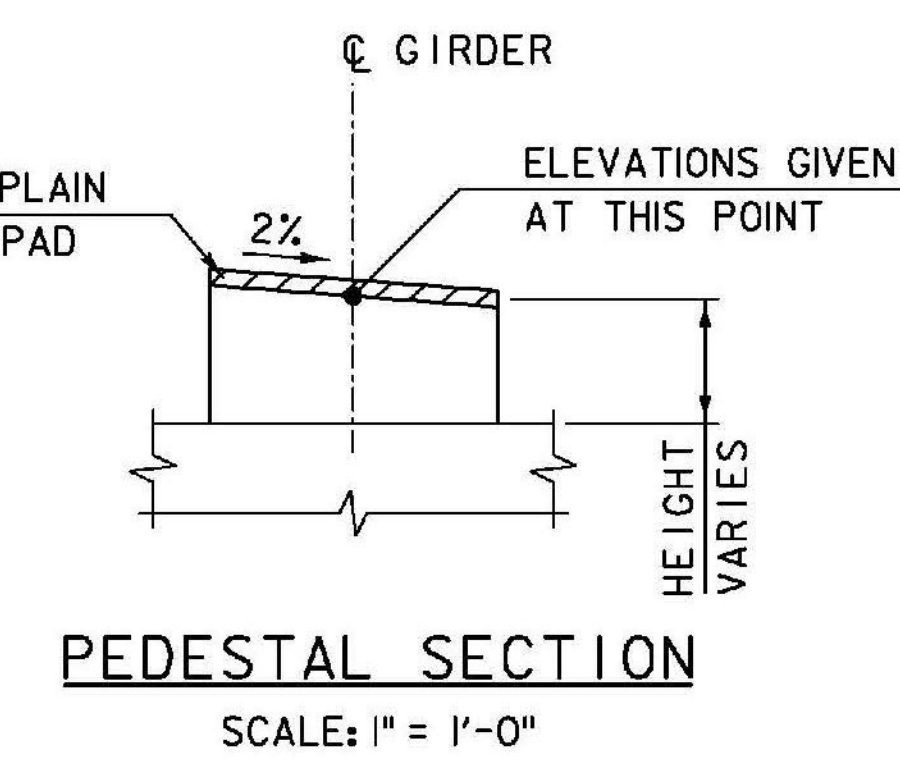
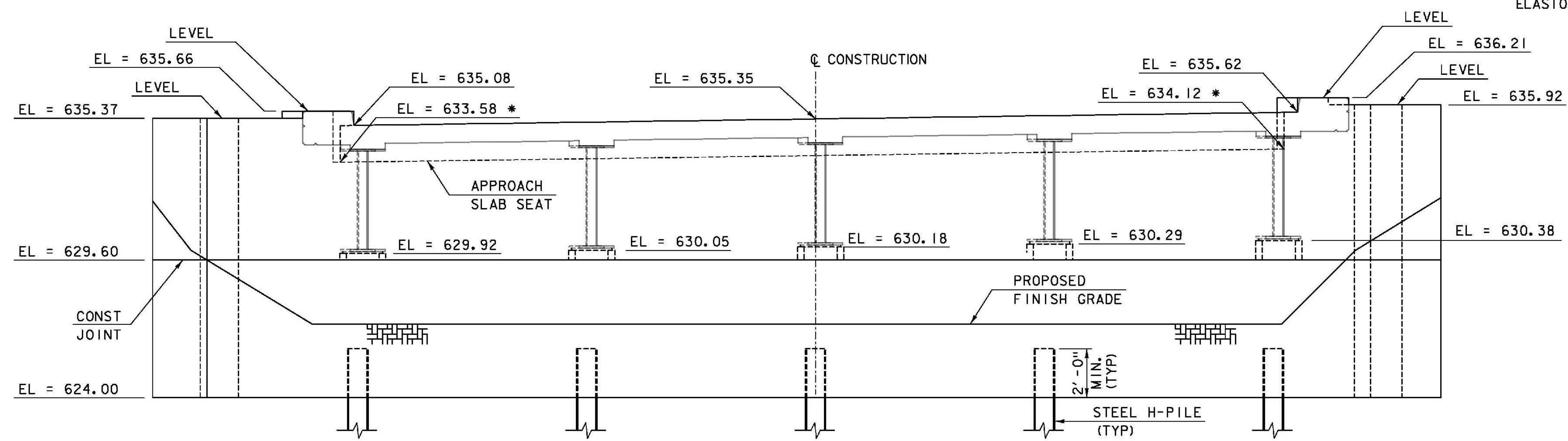


ABUTMENT NO. 1 PLAN

SCALE: 3/8" = 1'-0"
 NOTE: SEE ABUTMENT SECTIONS SHEET FOR SECTIONS A-A, B-B, AND C-C.



ABUTMENT NO. 1 ELEVATION

SCALE: 3/8" = 1'-0"
 NOTE: ELEVATIONS AT FRONT FACE OF ABUTMENT UNLESS OTHERWISE NOTED

* ELEVATIONS AT CORNER OF APPROACH SLAB SEAT

PROJECT NAME: HYDE PARK
 PROJECT NUMBER: STP CULV(26)

TYLIN INTERNATIONAL

FILE NAME: zllb292bdr-abut1.dgn
 PROJECT LEADER: R. HEBERT
 DESIGNED BY: D. MYERS
 ABUTMENT 1 PLAN AND ELEVATION

PLOT DATE: 11/6/2013
 DRAWN BY: T. KELLEY
 CHECKED BY: J. OLUND
 SHEET 34 OF 60