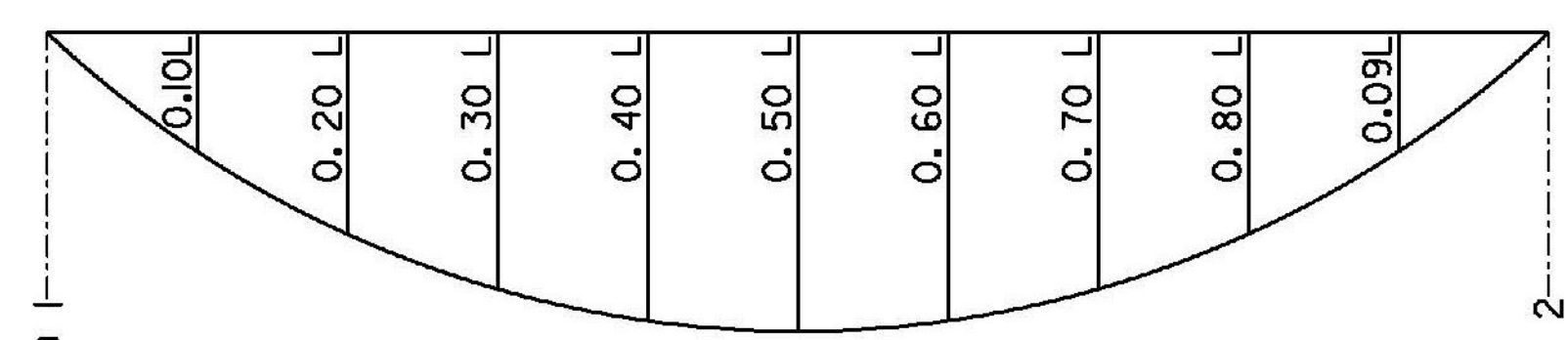


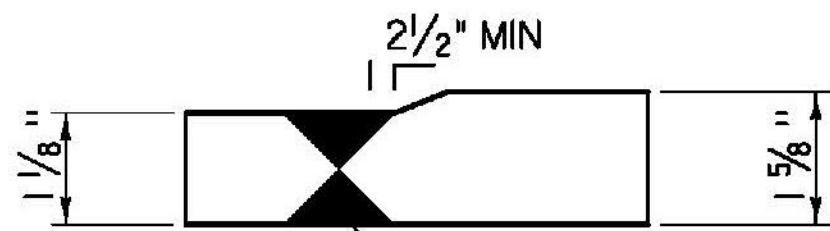
**CAMBER DIAGRAM**  
NOT TO SCALE



**TOTAL DEAD LOAD DEFLECTION DIAGRAM**  
NOT TO SCALE

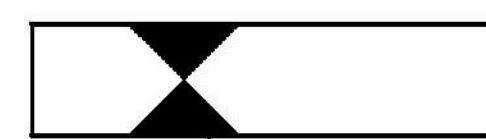
GIRDER 1-5	.10L	.20L	.30L	.40L	.50L	.60L	.70L	.80L	.90L
STEEL DEFLECTION	0 1/2"	1"	1 3/8"	1 9/16"	1 5/8"	1 9/16"	1 3/8"	1"	0 1/2"
SLAB & SDL DEFLECTION	2 1/8"	3 5/16"	5 3/8"	6 9/16"	6 5/8"	6 5/8"	5 3/8"	3 5/16"	2 1/8"
TOTAL DEFLECTION	2 5/8"	4 5/16"	6 3/4"	7 7/8"	8 1/4"	7 7/8"	6 3/4"	4 5/16"	2 5/8"
VERTICAL CURVE CAMBER	-1"	-1 3/4"	-2 5/16"	-2 5/8"	-2 3/4"	-2 5/8"	-2 5/16"	-1 3/4"	-1"
TOTAL CAMBER	1 5/8"	3 3/16"	4 1/16"	5 3/16"	5 1/2"	5 3/16"	4 1/16"	3 3/16"	1 5/8"

**NOTE:**  
FUTURE WEARING SURFACE NOT CONSIDERED IN CAMBER.



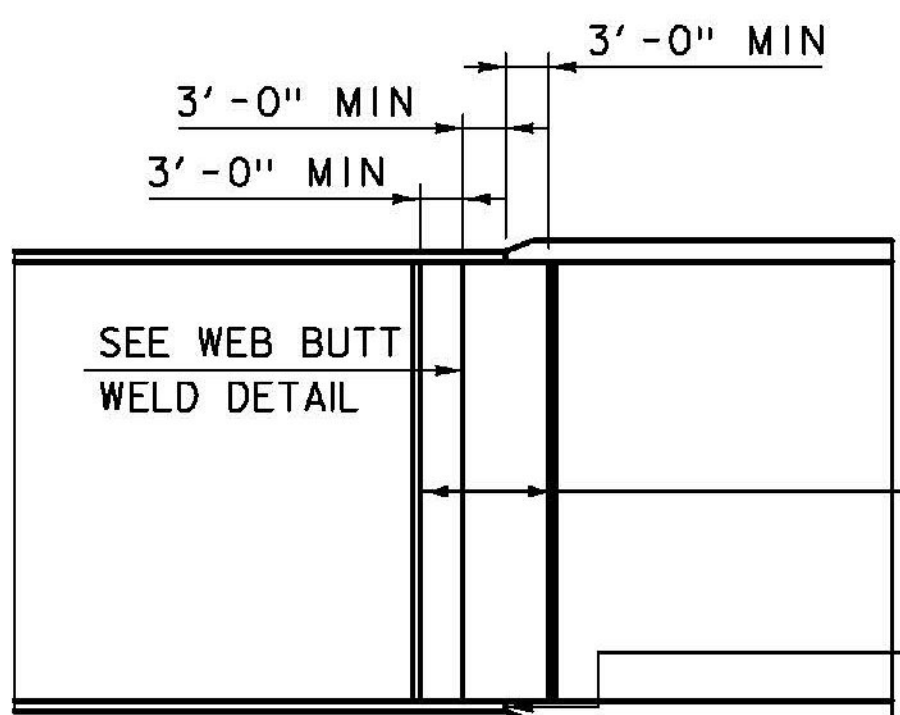
COMPLETE JOINT PENETRATION GROOVE WELD TO BE GROUND SMOOTH AND FLUSH IN THE LONGITUDINAL DIRECTION OF THE GIRDER

**FLANGE TRANSITION BUTT WELD**  
NOT TO SCALE

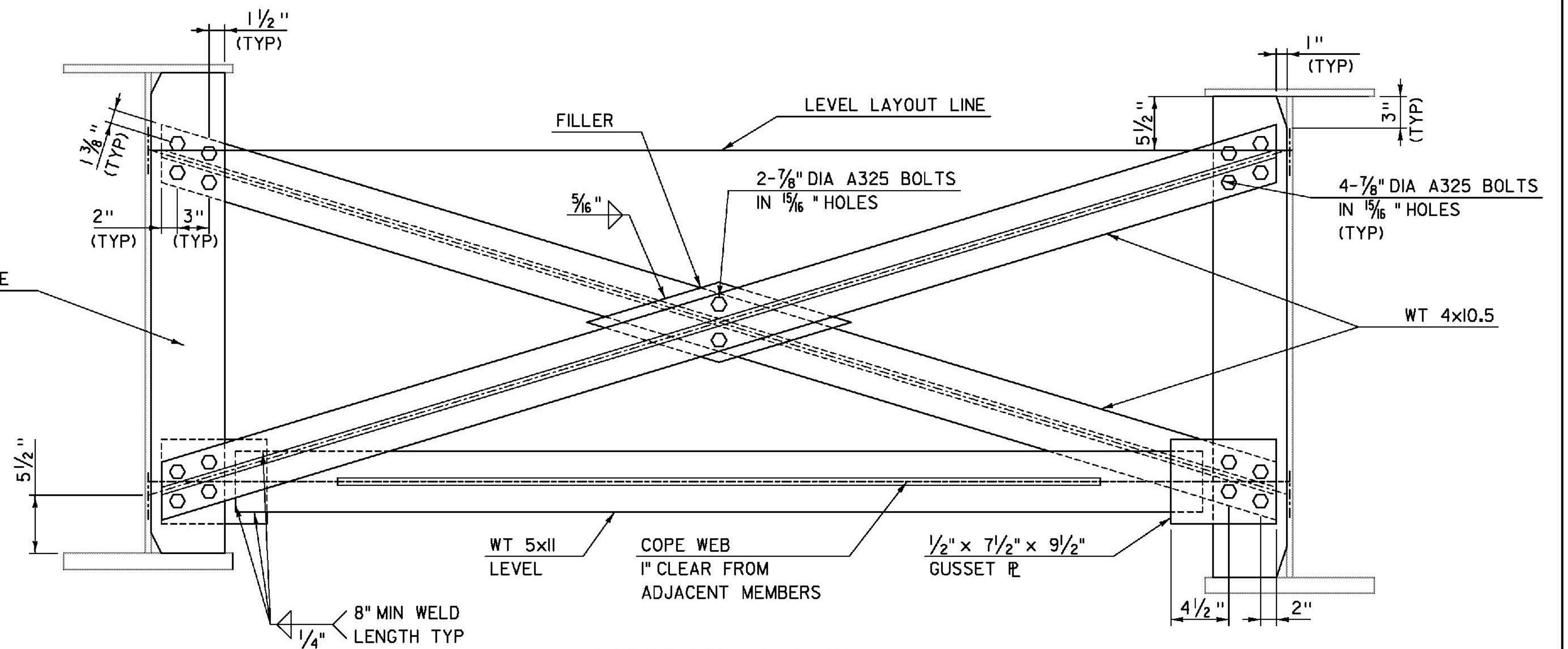


COMPLETE JOINT PENETRATION GROOVE WELD TO BE GROUND SMOOTH AND FLUSH IN THE LONGITUDINAL DIRECTION OF THE GIRDER

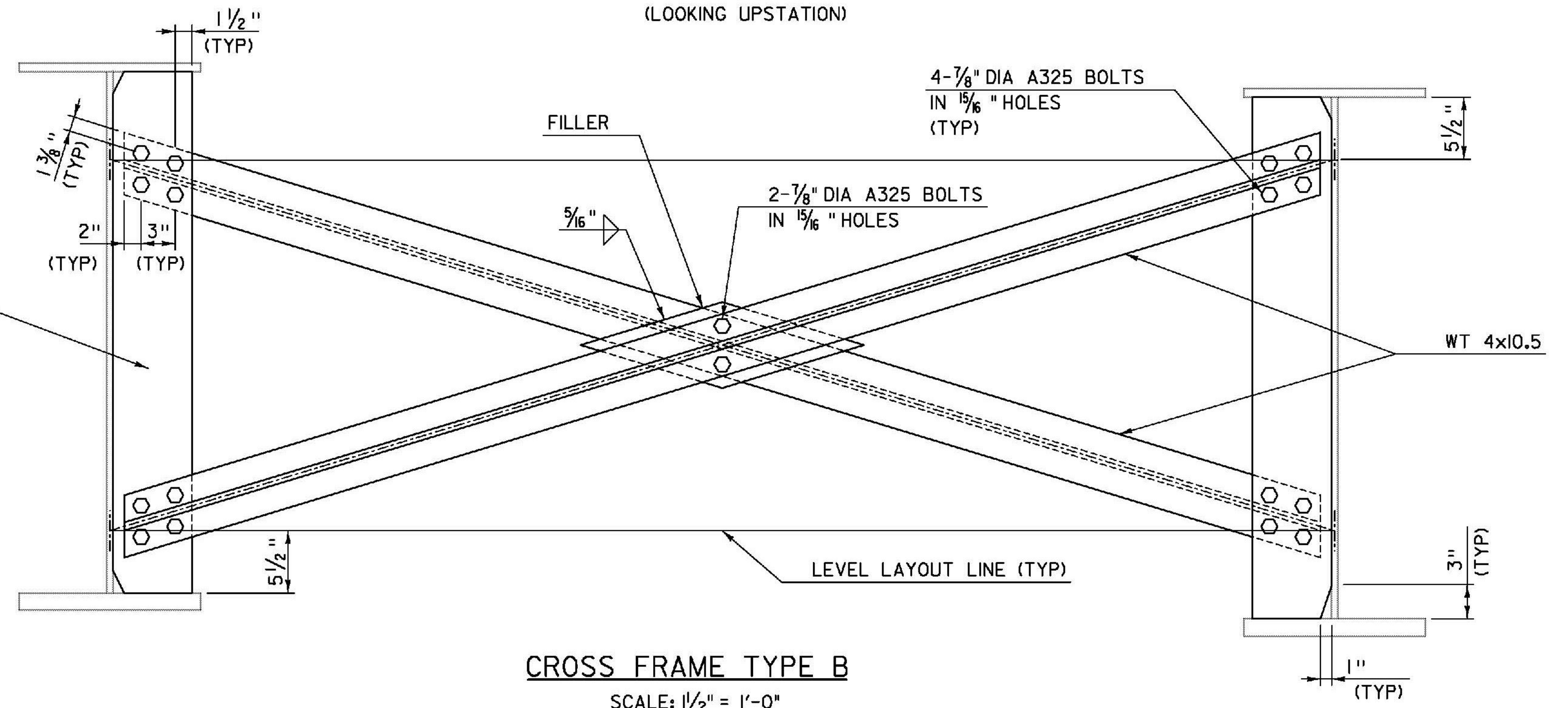
**FLANGE OR WEB BUTT WELD**  
NOT TO SCALE



**WELDED SPLICE TRANSITION**  
NOT TO SCALE



**CROSS FRAME TYPE A**  
SCALE: 1/2" = 1'-0"  
(LOOKING UPSTATION)



**CROSS FRAME TYPE B**  
SCALE: 1/2" = 1'-0"  
(LOOKING UPSTATION)

PROJECT NAME: HYDE PARK  
PROJECT NUMBER: STP CULV(26)  
FILE NAME: z1lb292bdrxfmframe.dgn  
PROJECT LEADER: R. HEBERT  
DESIGNED BY: T. POULIN  
STEEL GIRDER DETAILS  
PLOT DATE: 11/6/2013  
DRAWN BY: B. CARTER  
CHECKED BY: D. MYERS  
SHEET 33 OF 60

**TYLIN INTERNATIONAL**