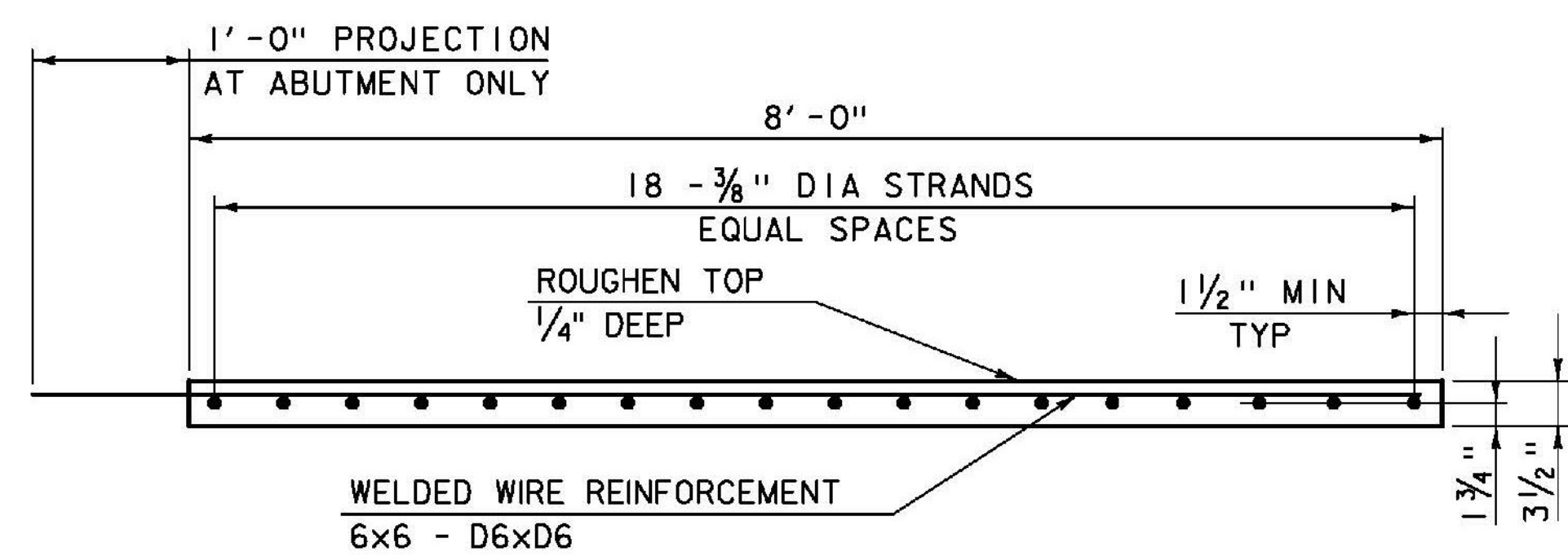
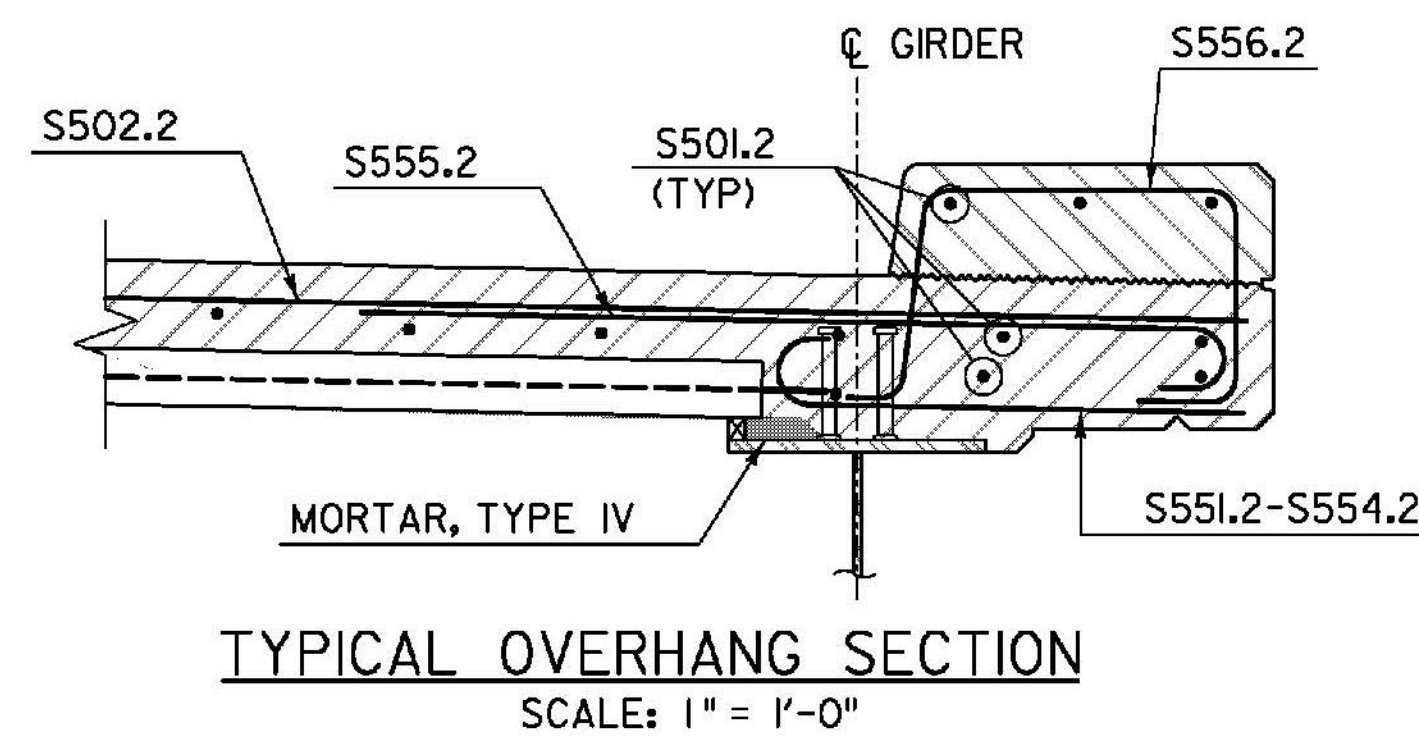


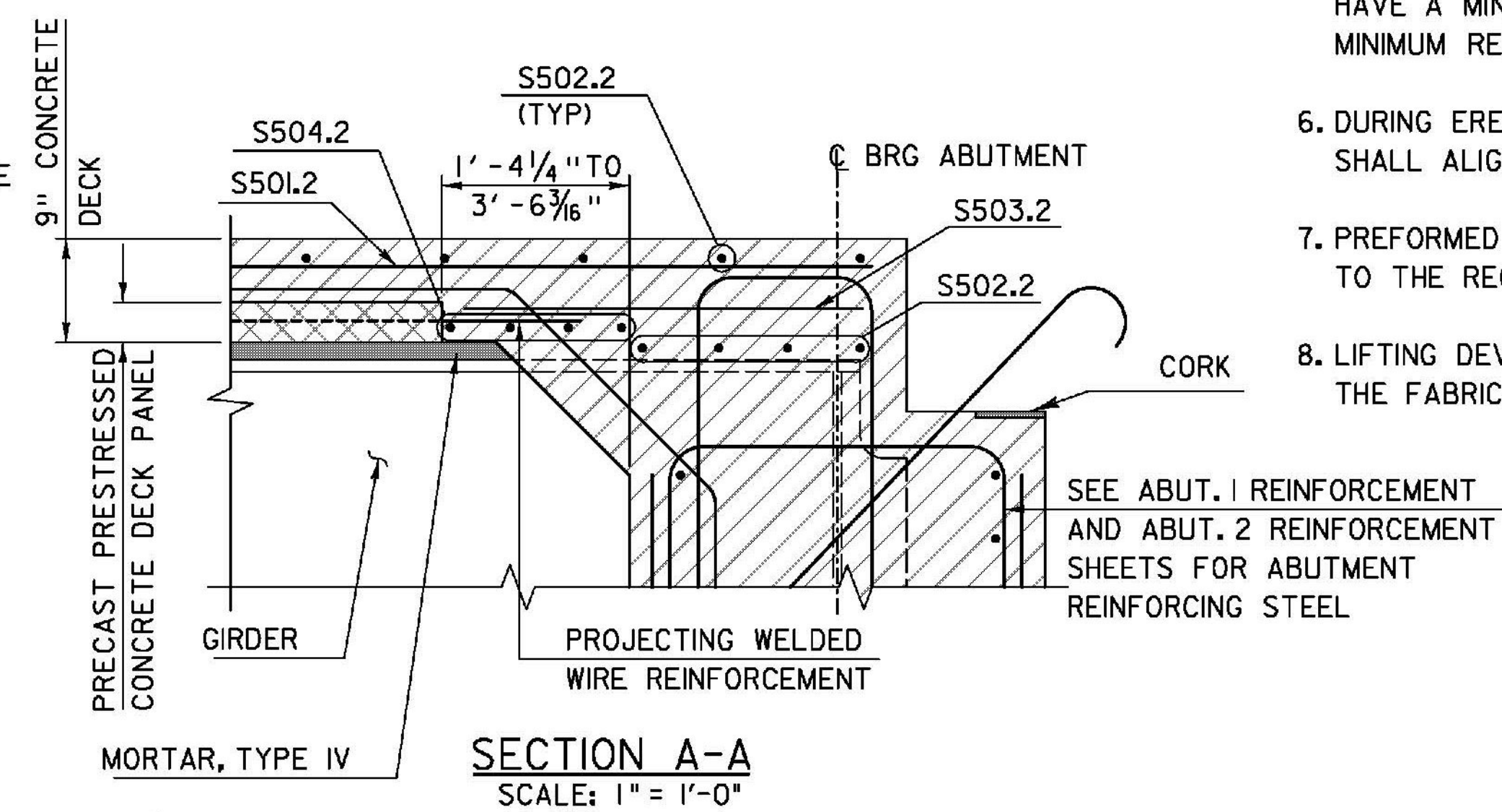
**PRECAST PRESTRESSED  
CONCRETE DECK PANEL PLAN**  
SCALE: 1" = 1'-0"



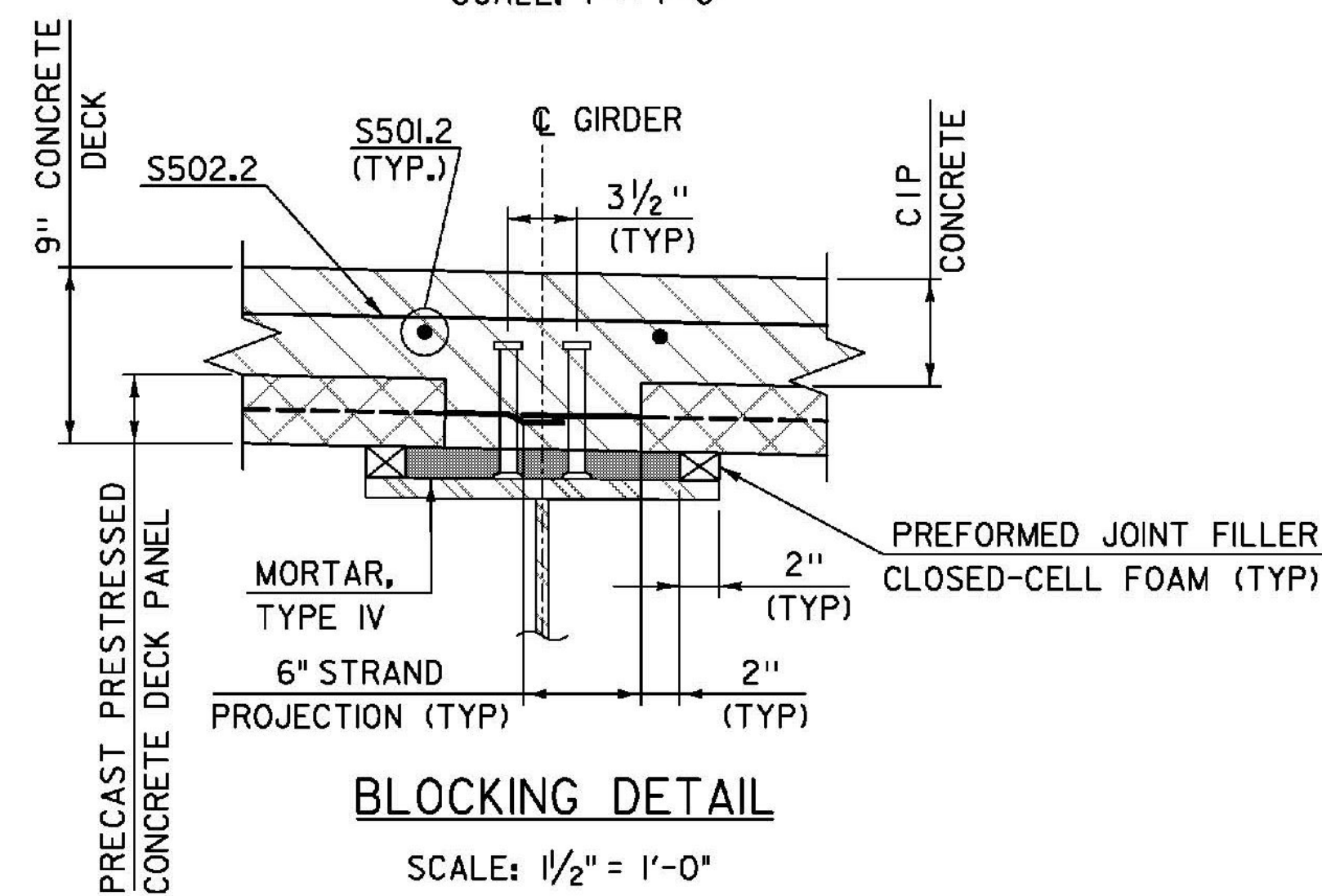
**SECTION B-B**  
SCALE: 1" = 1'-0"



**TYPICAL OVERHANG SECTION**  
SCALE: 1" = 1'-0"



**SECTION A-A**  
SCALE: 1" = 1'-0"



**BLOCKING DETAIL**  
SCALE: 1/2" = 1'-0"

**NOTES:**

1. PRECAST PRESTRESSED CONCRETE DECK PANELS SHALL BE FABRICATED IN ACCORDANCE WITH SECTION 510 OF THE STANDARD SPECIFICATIONS AND SPECIAL PROVISION 900.670. MORTAR, TYPE IV AND PREFORMED JOINT FILLER CLOSED - CELL FOAM SHALL BE PAID FOR UNDER SPECIAL PROVISION ITEM 900.670 (PRECAST PRESTRESSED CONCRETE DECK PANEL)(3 1/2").
2. PANEL WIDTHS OF LESS THAN 8'-0" MAY BE USED. PROVIDE STRANDS IN THE RATIO OF THE SMALLER PANEL WIDTH TO 8'-0", MULTIPLIED BY THE NUMBER OF STRANDS SHOWN, ROUNDING UP TO THE NEXT EVEN NUMBER OF STRANDS. THE MINIMUM PANEL WIDTH IS 3'-0".
3. PRESTRESSING STRANDS SHALL BE 3/8" DIAMETER, GRADE 270 SEVEN - WIRE LOW RELAXATION STRANDS CONFORMING TO THE REQUIREMENTS OF AASHTO M203 (ASTM A416). INITIAL TENSION SHALL BE 17.2 KIPS PER STRAND.
4. A MAT OF #3 REINFORCING BARS SPACED AT 6 INCHES O.C. IN EACH DIRECTION MAY BE SUBSTITUTED FOR WELDED WIRE FABRIC. THE WELDED WIRE FABRIC OR THE REINFORCING BARS SHALL MEET THE REQUIREMENTS OF SECTION 507 FOR REINFORCING STEEL, LEVEL II.
5. CONCRETE FOR PRECAST PRESTRESSED CONCRETE DECK PANELS SHALL HAVE A MINIMUM 28 DAY COMPRESSIVE STRENGTH OF 5,000 PSI AND A MINIMUM RELEASE STRENGTH OF 4,000 PSI.
6. DURING ERECTION, PRECAST PRESTRESSED CONCRETE DECK PANELS SHALL ALIGN VERTICALLY TO WITHIN 1/4 INCH.
7. PREFORMED JOINT FILLER, CLOSED-CELL FOAM SHALL BE CUT IN THE FIELD TO THE REQUIRED THICKNESS.
8. LIFTING DEVICE SELECTION AND DESIGN SHALL BE THE RESPONSIBILITY OF THE FABRICATOR.

**LEGEND:**

- CONCRETE, HIGH PERFORMANCE CLASS A
- PRECAST PRESTRESSED CONCRETE DECK PANEL
- MORTAR, TYPE IV

PROJECT NAME: HYDE PARK  
PROJECT NUMBER: STP CULV(26)

FILE NAME: zllb292bdrsupl.dgn PLOT DATE: 11/6/2013  
PROJECT LEADER: R. HEBERT DRAWN BY: B. CARTER  
DESIGNED BY: J. OLUND CHECKED BY: D. MYERS  
PRECAST CONCRETE DECK PANEL DETAILS SHEET 31 OF 60

**TYLIN**INTERNATIONAL