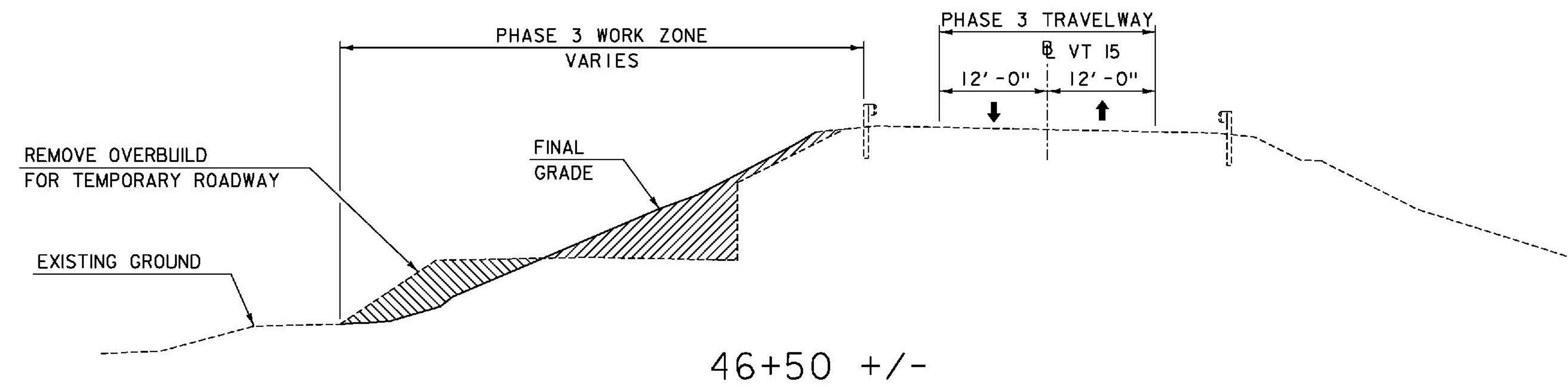


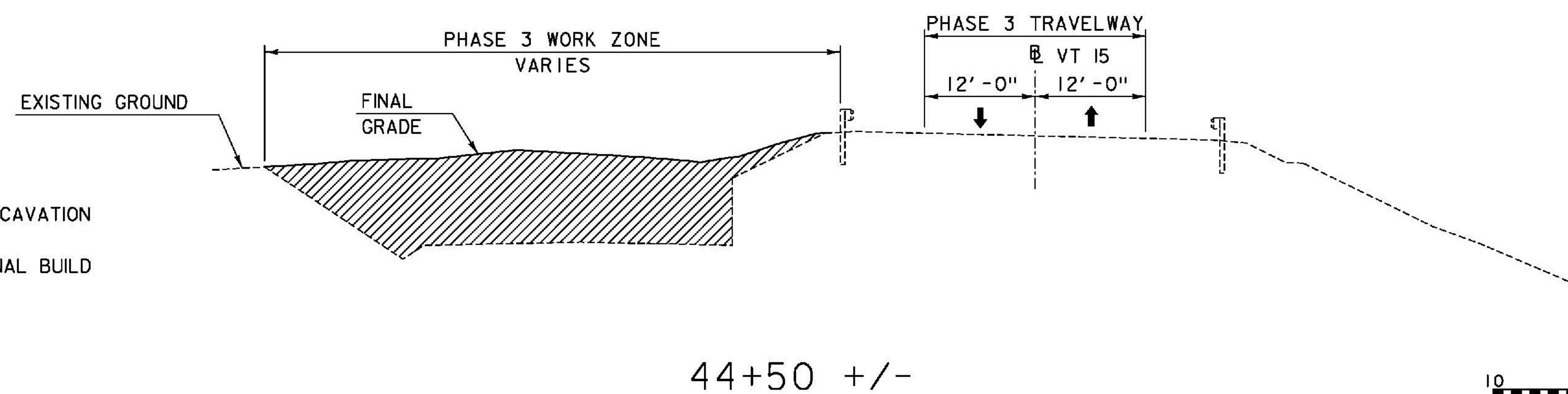
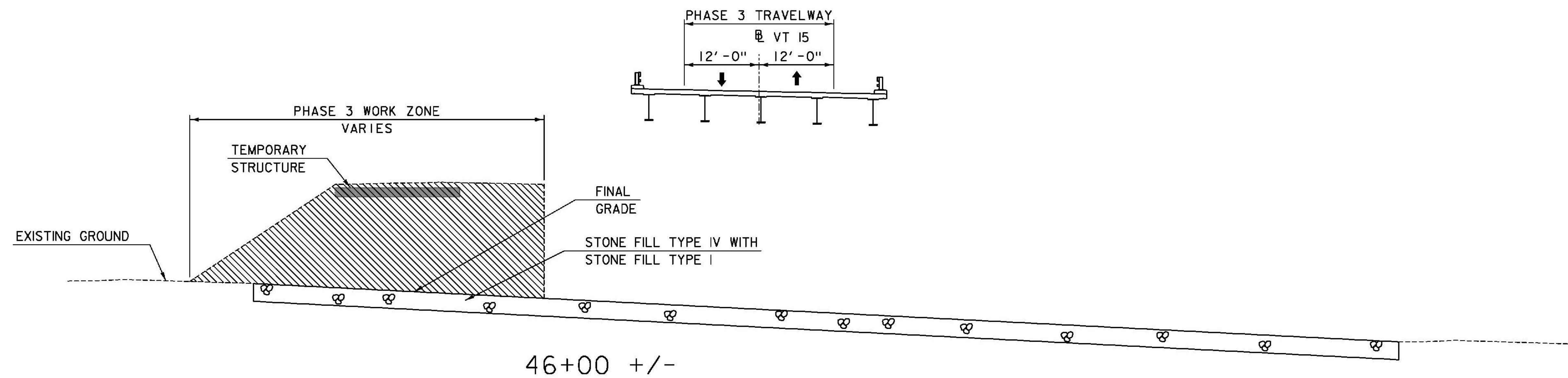
MAINTENANCE OF TRAFFIC SECTIONS - PHASE 3





PROPOSED TRAFFIC CONTROL PLAN NOTES - PHASE 3

SHIFT TRAFFIC TO VT15 FINAL ALIGNMENT AND NEW BRIDGE. REMOVE TEMPORARY STRUCTURE (OVER EXISTING CMPP), EXCAVATE EAST SIDE OF CHANNEL, REMOVE EAST END OF EXISTING CMPP, CONSTRUCT EAST END NEW CHANNEL, AND CONSTRUCT REMAINING PORTION OF EAST SIDE OF ROADWAY APPROACH EMBANKMENT.

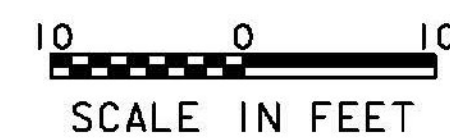
CONSTRUCT APPROACH TIE-INS UNDER SINGLE LANE ALTERNATING ONE-WAY TRAFFIC UNDER FLAGGERS.



LEGEND

-  AREA OF EXCAVATION
-  AREA OF FINAL BUILD

NOTE:
FOR ADDITIONAL INFORMATION SEE MAINTENANCE OF TRAFFIC PLANS AND PROFILE SHEETS.



TYLIN INTERNATIONAL

PROJECT NAME: HYDE PARK
PROJECT NUMBER: STP CULV(26)

FILE NAME: zllb292bdr_mot_CON.dgn
PROJECT LEADER: R. HEBERT
DESIGNED BY: T. KELLEY
MAINTENANCE OF TRAFFIC SECTIONS, PHASE 3 SHEET 22 OF 60

PLOT DATE: 11/6/2013
DRAWN BY: T. KELLEY
CHECKED BY: D. BRYANT