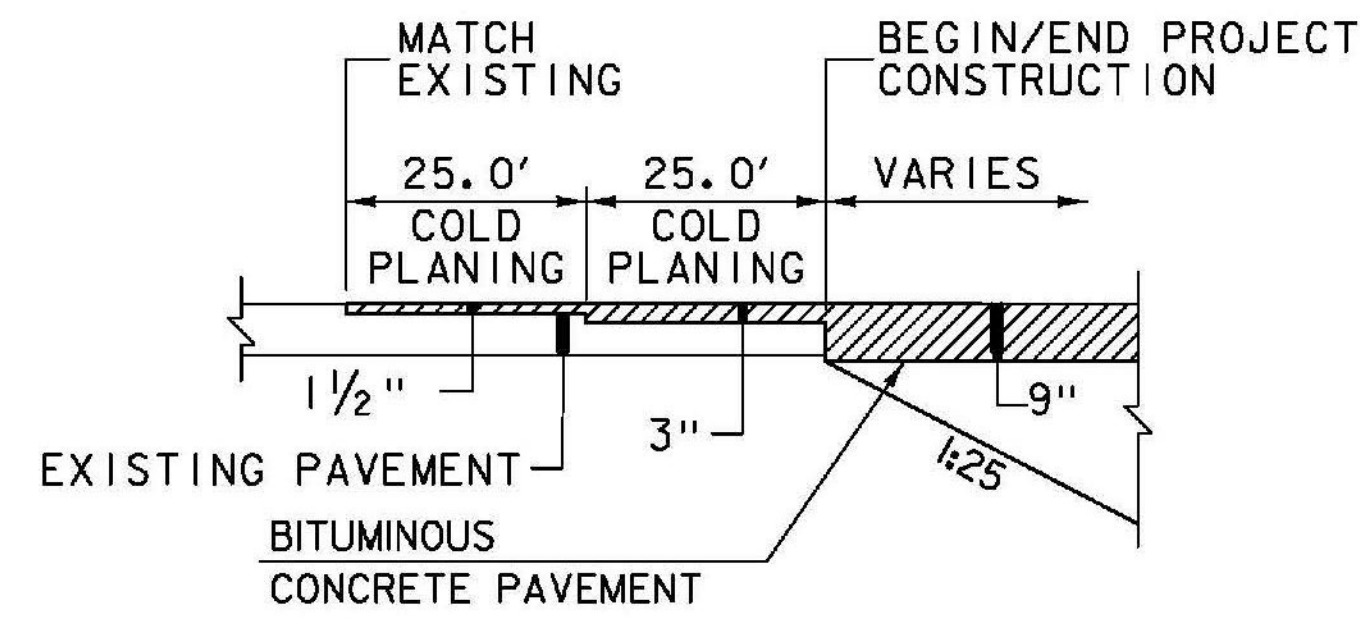
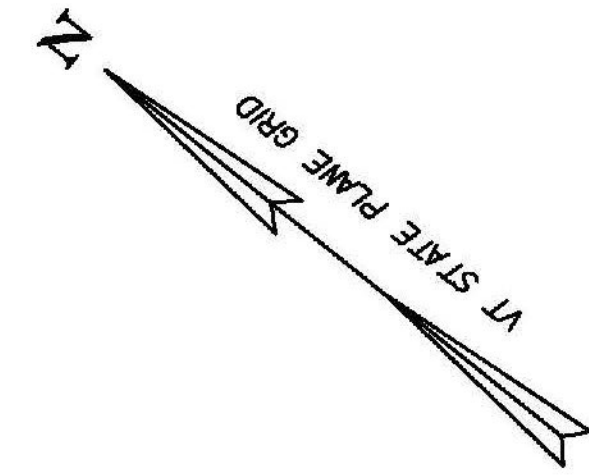
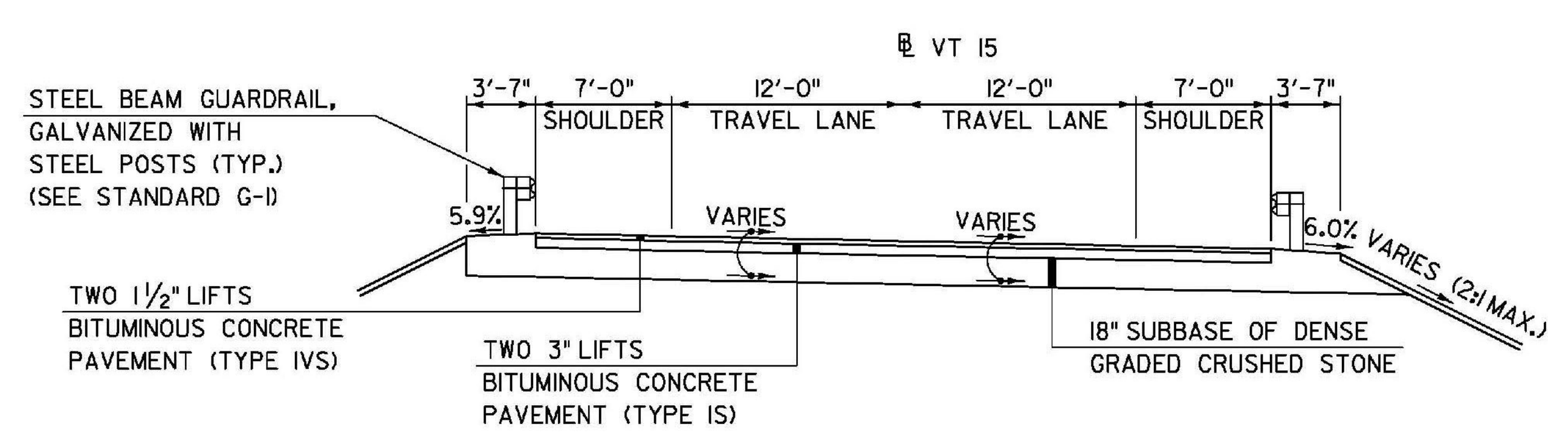


SUGGESTED SEQUENCE OF CONSTRUCTION - PHASE 2B:

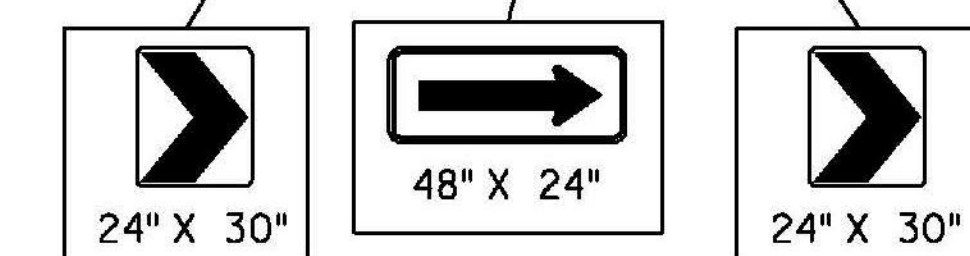
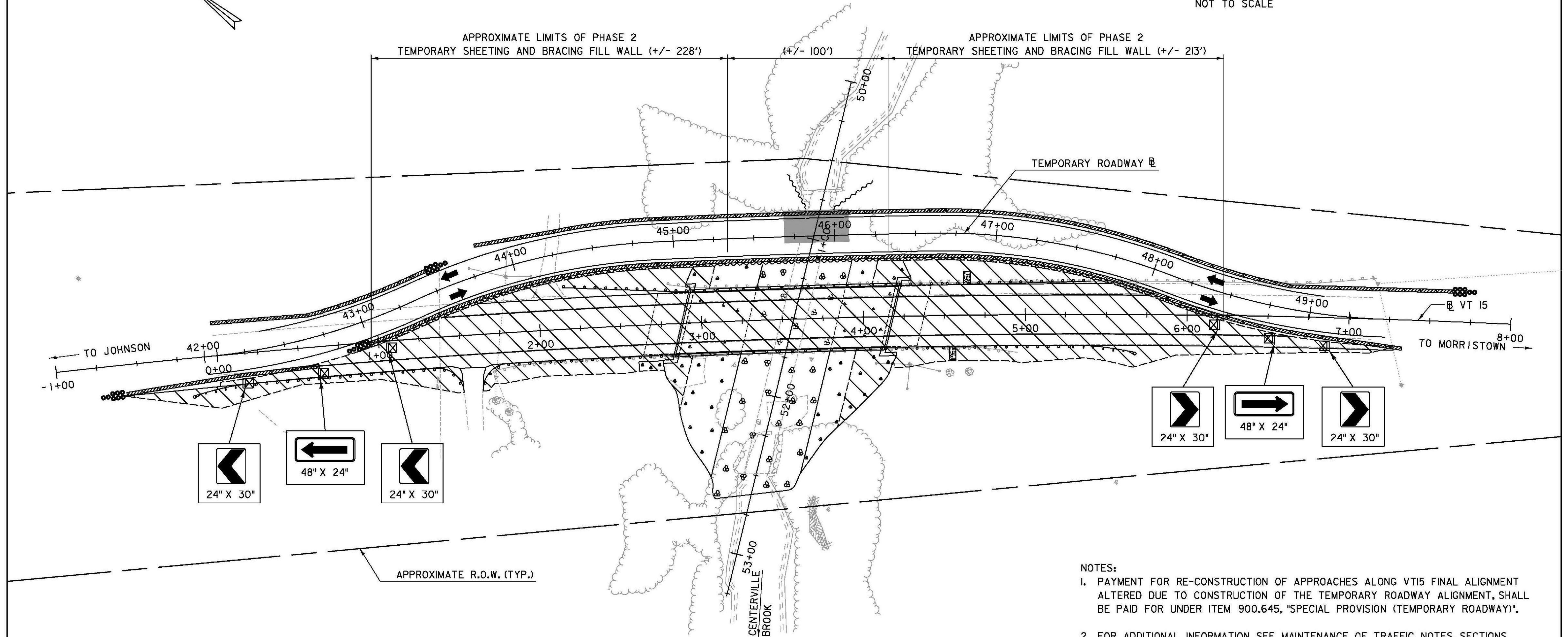
- MAINTAIN TRAFFIC OVER TEMPORARY ROADWAY ALIGNMENT
- INSTALL TEMPORARY SHEETING AND BRACING FILL WALL
- CONSTRUCT APPROACH AND NEW BRIDGE ON FINAL ALIGNMENT



RE-CONSTRUCTION APPROACH COLD PLANING
ALONG TEMPORARY ROADWAY
NOT TO SCALE

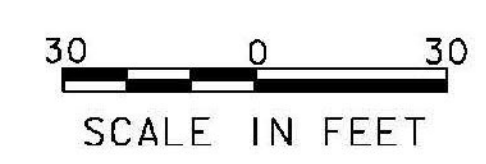


TYPICAL ROADWAY RE-CONSTRUCTION SECTION
NOT TO SCALE



- NOTES:**
1. PAYMENT FOR RE-CONSTRUCTION OF APPROACHES ALONG VT15 FINAL ALIGNMENT ALTERED DUE TO CONSTRUCTION OF THE TEMPORARY ROADWAY ALIGNMENT, SHALL BE PAID FOR UNDER ITEM 900.645, "SPECIAL PROVISION (TEMPORARY ROADWAY)".
 2. FOR ADDITIONAL INFORMATION SEE MAINTENANCE OF TRAFFIC NOTES, SECTIONS AND PROFILE SHEETS.
 3. ITEMS PLACED IN PHASE 1 WILL REMAIN IN PLACE FOR THE DURATION OF PHASE 2.

- LEGEND**
- TEMPORARY TRAFFIC BARRIER
 - ENERGY ABSORPTION ATTENUATOR
 - TYPE III BARRICADE (MOD.)
 - REFLECTORIZED PLASTIC DRUM
 - WORK ZONE
 - TEMPORARY SHEETING AND BRACING
 - DIRECTION OF TRAFFIC
 - SIGN FROM PREVIOUS PHASE



| | | |
|----------------------------|--|-----------------------|
| TYLIN INTERNATIONAL | PROJECT NAME: HYDE PARK | PLOT DATE: 11/6/2013 |
| | PROJECT NUMBER: STP CULV(26) | DRAWN BY: T. KELLEY |
| | FILE NAME: z1lb292bdr_mot_P2b.dgn | CHECKED BY: D. BRYANT |
| | PROJECT LEADER: R. HEBERT DESIGNED BY: T. KELLEY MAINTENANCE OF TRAFFIC PLAN, PHASE 2B | SHEET 19 OF 60 |