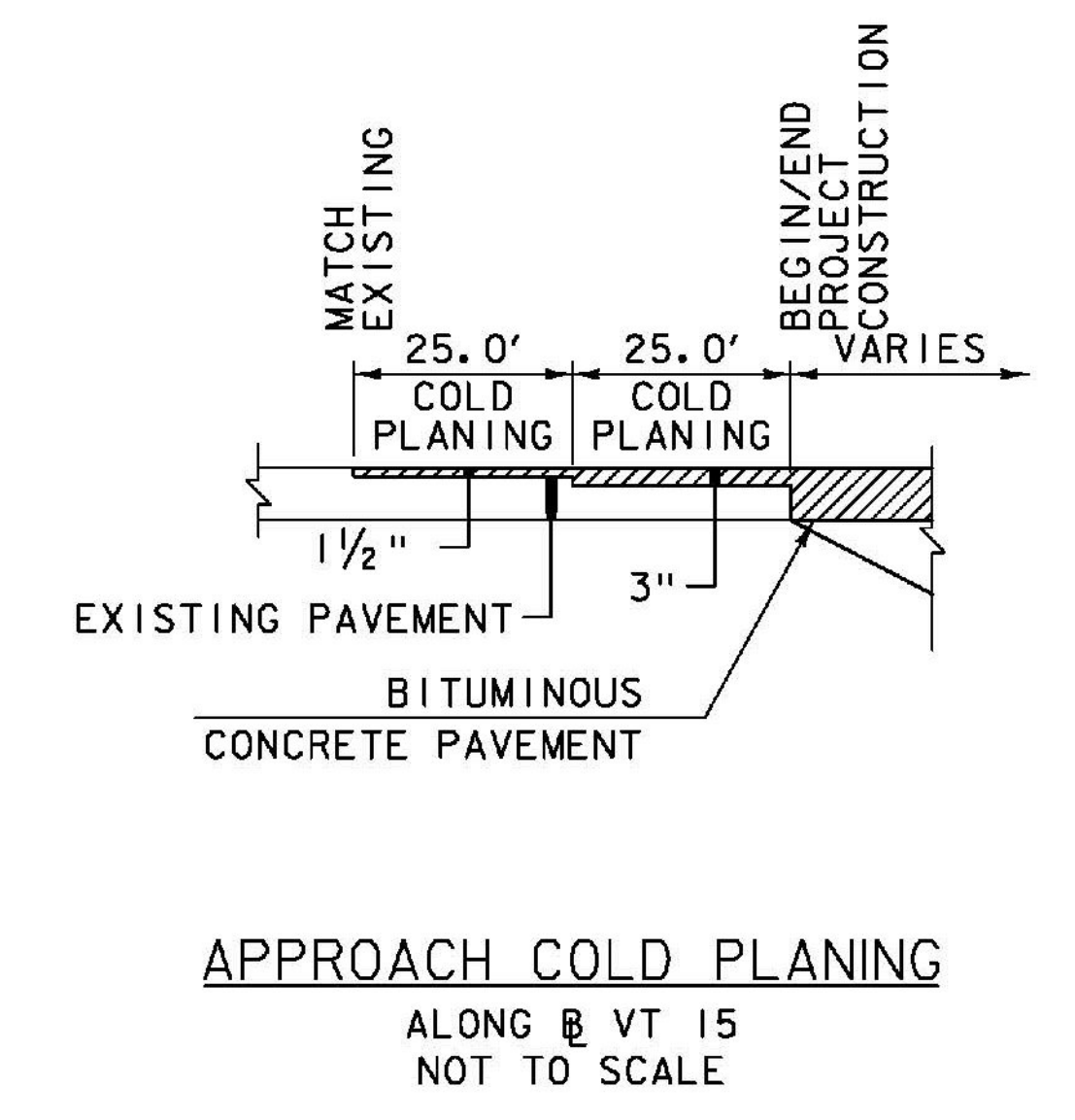
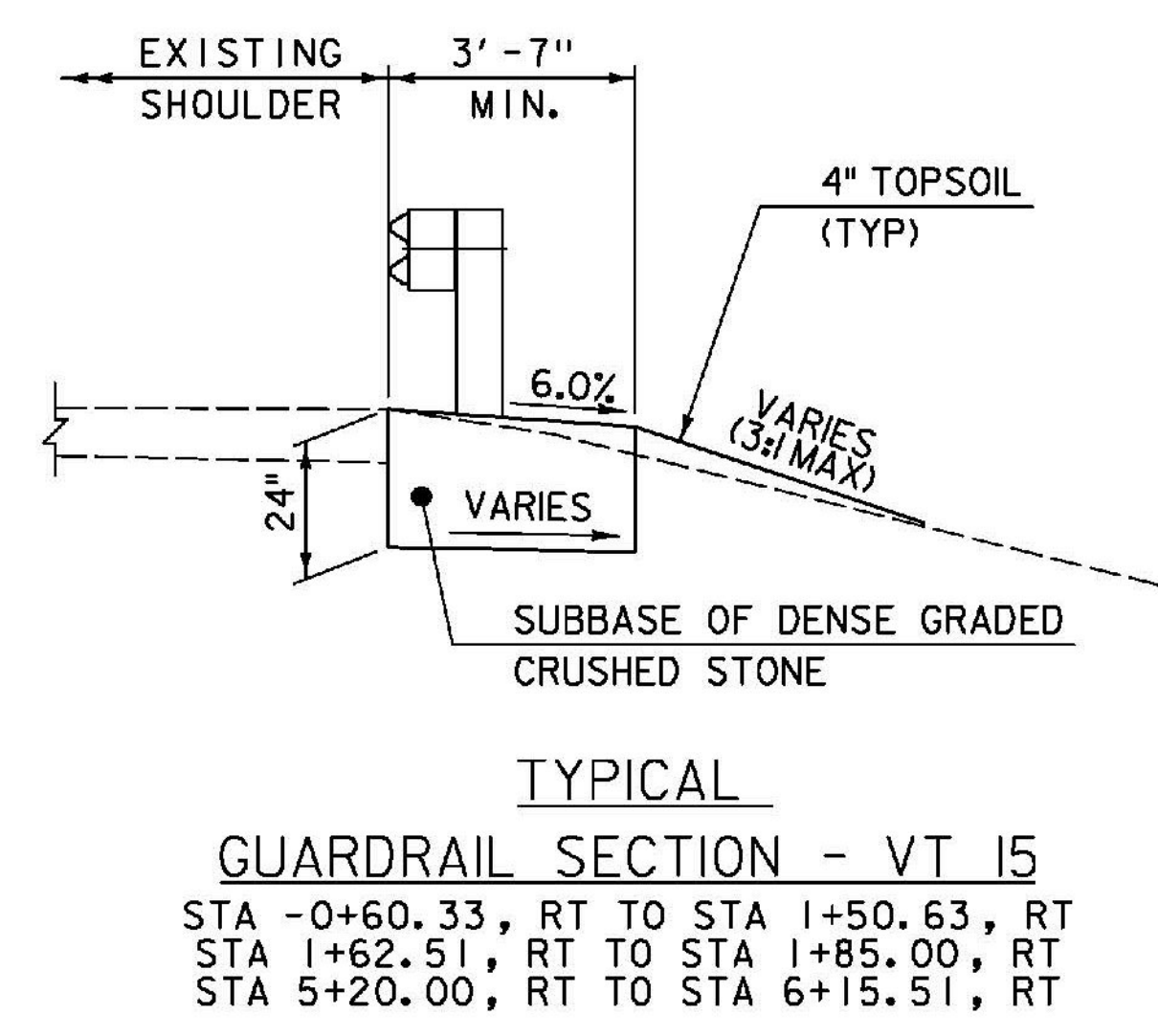
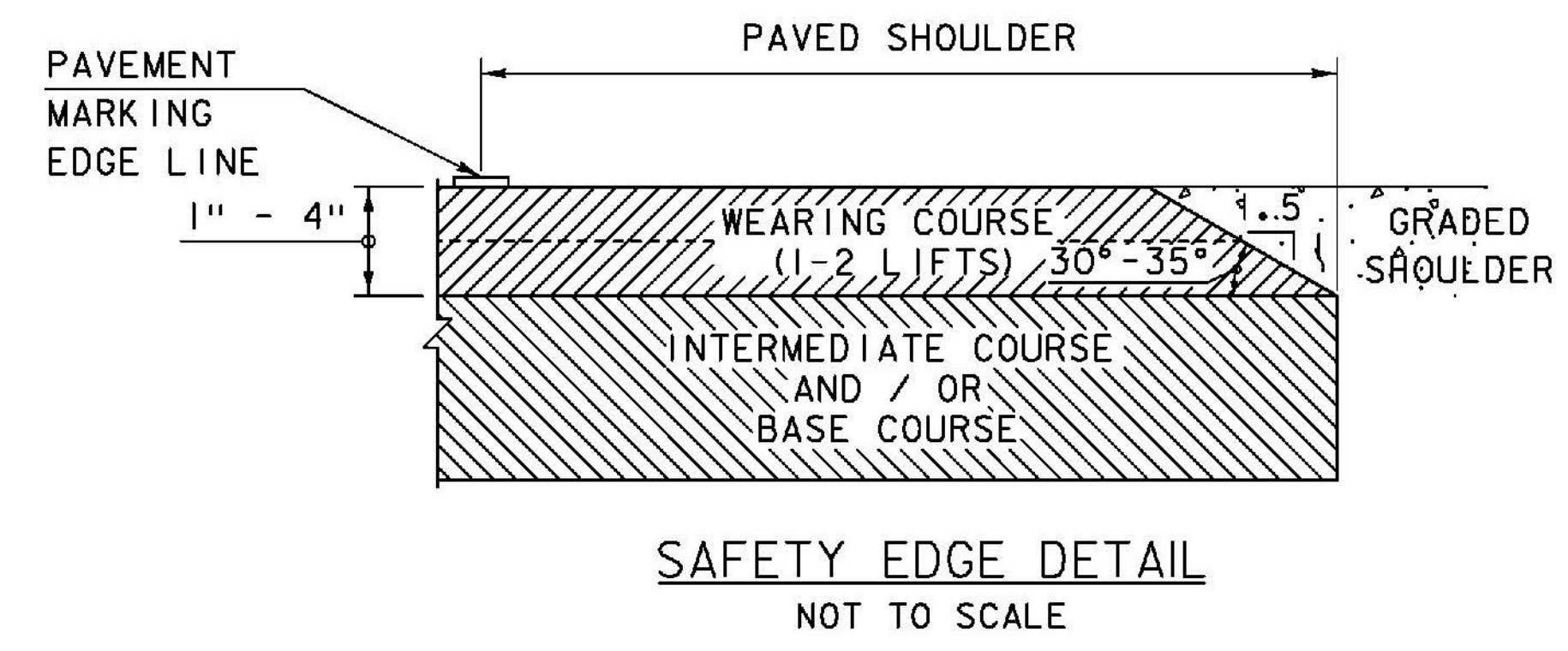


**NOTES:**

1. DELINEATOR POSTS: TO BE PLACED IN ACCORDANCE WITH STANDARD SHEET T-40.
2. SLOPE ROUNDING: ALL CUT SLOPES TO BE ROUNDED IN ACCORDANCE WITH STANDARD SHEET B-5.
3. TACK COAT: EMULSIFIED ASPHALT SHALL BE APPLIED TO THE COLD PLANED BITUMINOUS CONCRETE PAVEMENT SURFACE AT THE RATE OF 0.040 GAL./SY. OR AS DIRECTED BY THE ENGINEER. EMULSIFIED ASPHALT SHALL ALSO BE APPLIED BETWEEN ALL LIFTS OF PAVEMENT. THE COST SHALL BE PAID UNDER ITEM 404.65, "EMULSIFIED ASPHALT".

**MATERIAL TOLERANCES  
(IF USED ON PROJECT)**

	TOTAL DEPTH
SURFACE - PAVEMENT	+/- 1/4"
SUBBASE	+/- 1"
SAND BORROW	+/- 1"



**TYLIN INTERNATIONAL**

PROJECT NAME: HYDE PARK	FILE NAME: zllb292bdr_typ.dgn	PLOT DATE: 11/6/2013
PROJECT NUMBER: STP CULV(26)	PROJECT LEADER: R. HEBERT	DRAWN BY: T. KELLEY
	DESIGNED BY: T. KELLEY	CHECKED BY: D. BURHANS
	TYPICAL ROADWAY SECTIONS	SHEET 3 OF 60