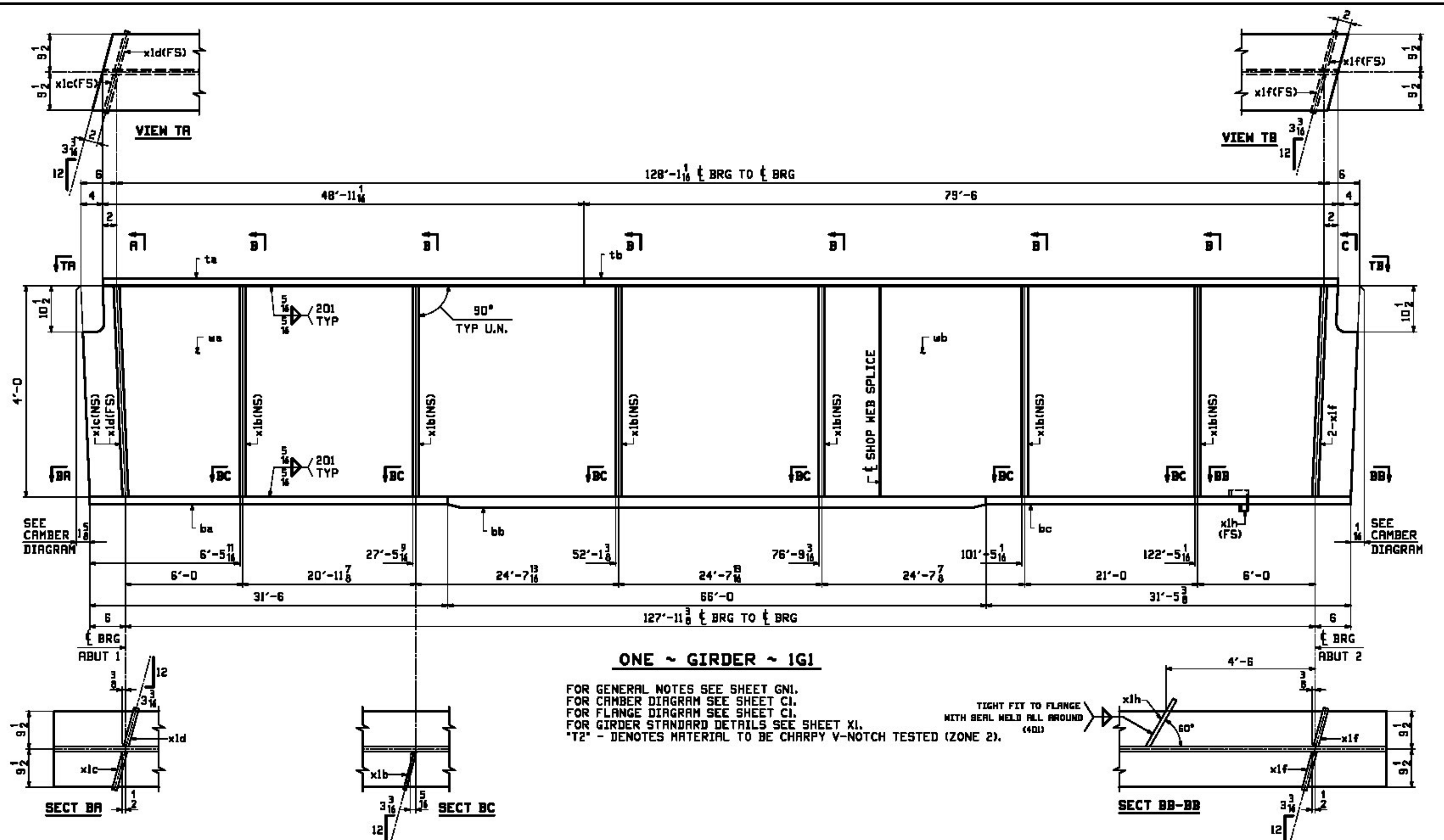
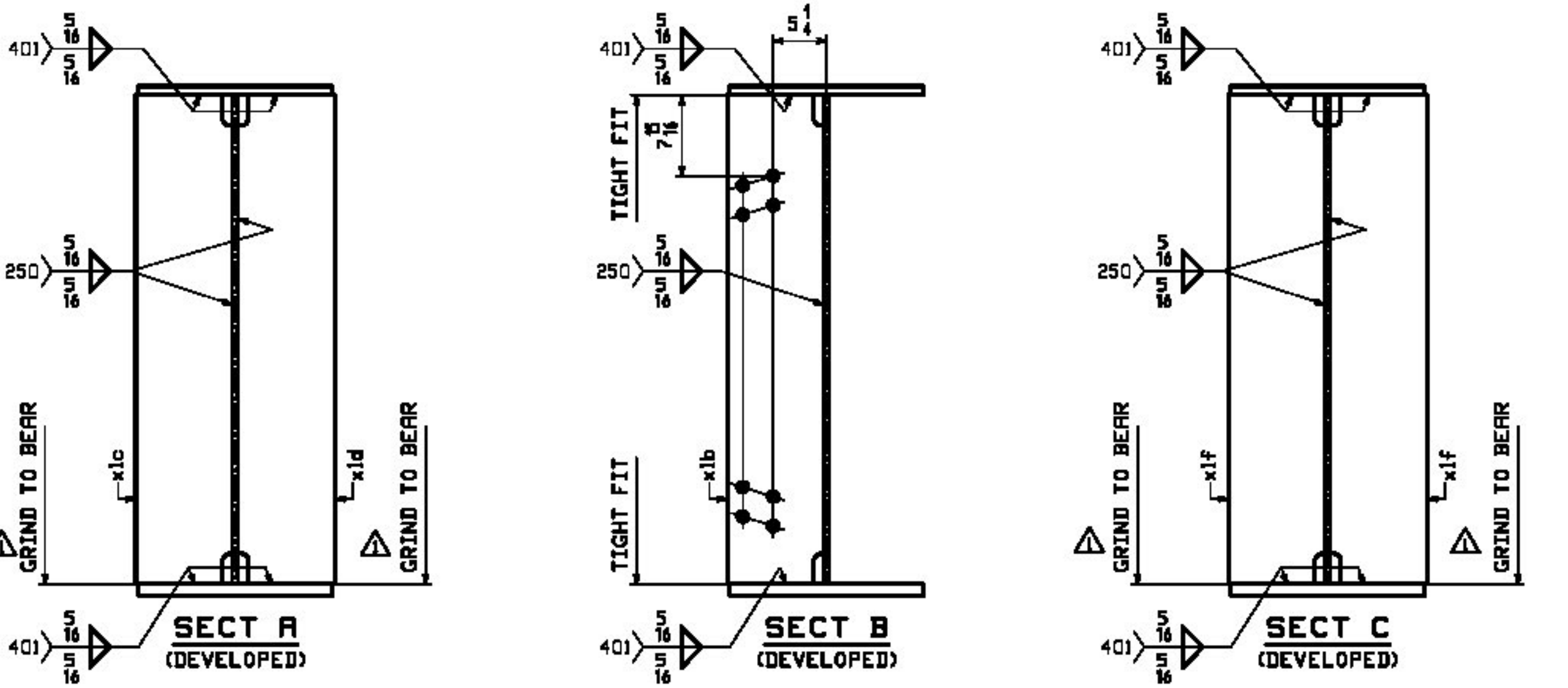
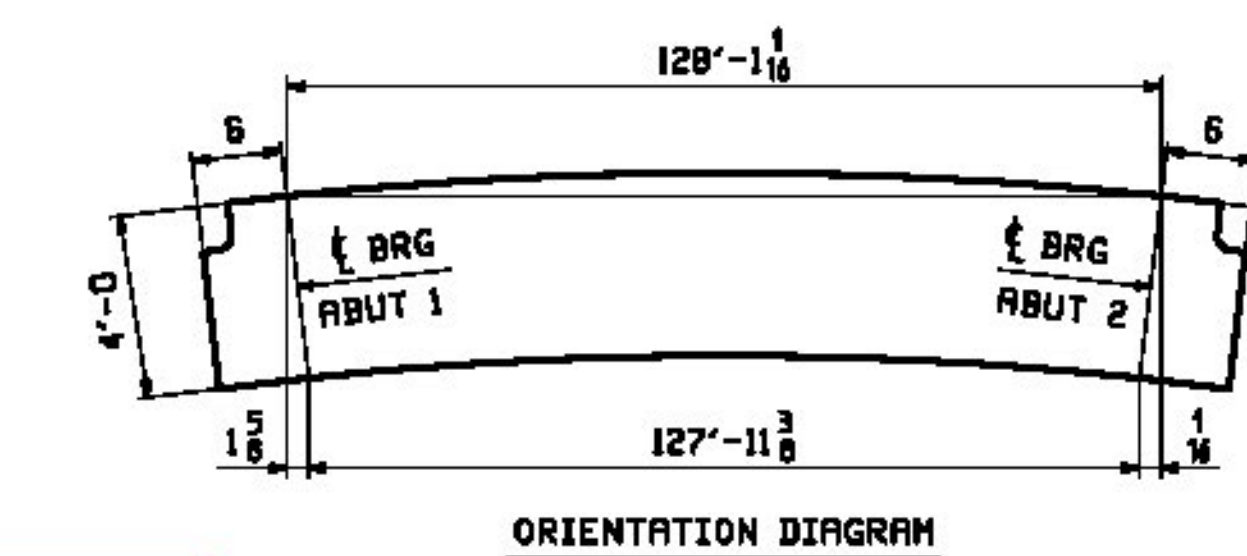


JOB NO.		DRAWING NO.		REV.			
303		1		1			
ROW INFO	QTY	UNIT	DESCRIPTION	REMARKS	MT	PROCUREMENT NOTES	
1	1	IG1	GIRDER		31484		
1	E	1	we	PL 3/8x48	79	M270-S0M72 7317	
1	G	1	wb	PL 3/8x48	49	M270-S0M72 4546	
1	L	1	lw	PL 3/8x19	46	M270-S0M72 2768	
1	J	1	tb	PL 3/8x19	79	4457	
1	C	1	ba	PL 1/2x19	31	M270-S0M72 2291	
1	H	1	bb	PL 1/2x19	66	M270-S0M72 5934	
1	C	1	bc	PL 1/2x19	31	M270-S0M72 2287	
2	C	6	xlb	PL 1/2x9 1/2	4	0	65
2	B	1	xlc	PL 3/8x9 1/2	4	0	113
2	B	1	xld	PL 3/8x9 1/2	4	0	113
2	B	2	xlf	PL 3/8x9 1/2	4	0	113
2	E	1	xlh	PL 1/2x3 1/8	1	0	3



ONE ~ GIRDER ~ IG1

FOR GENERAL NOTES SEE SHEET GNI.
 FOR CAMBER DIAGRAM SEE SHEET CI.
 FOR FLANGE DIAGRAM SEE SHEET C1.
 FOR GIRDER STANDARD DETAILS SEE SHEET XI.
 T2 - DENOTES MATERIAL TO BE CHARPY V-NOTCH TESTED (ZONE 2).



T.Y. LIN INTERNATIONAL

THE STAMPED DOCUMENTS ARE HEREBY:

APPROVED
 APPROVED AS NOTED
 REVISE AND RESUBMIT

SEE TRANSMITTAL FOR ADDITIONAL INFORMATION AS APPLICABLE.

THIS REVIEW IS FOR GENERAL CONFORMANCE WITH DESIGN CONCEPT ONLY. ANY DEVIATION FROM THE PLANS OR SPECIFICATIONS NOT CLEARLY NOTED BY THE CONTRACTOR HAS NOT BEEN REVIEWED. REVIEW BY THE ENGINEER SHALL NOT RELIEVE THE CONTRACTOR OF THE CONTRACTUAL RESPONSIBILITY FOR ANY ERRORS OR DEVIATION FROM THE CONTRACT REQUIREMENTS.

RICK HEBERT REVIEWER 4/25/2014 DATE

1/7/14	GRIND TO BEAR PER APPROVAL COMMENT	HL				
REV.	DATE	REMARKS	DWN	CHK	APVL	SHOP
MATERIAL:	SURFACE PREP. & PAINT:		HOLES:		SHOP BOLTS:	
M270-S0M (UN)	SEE GNI		5/8" Ø		NONE	
DESCRIPTION: GIRDER~IG1						
			CASCO BAY STEEL STRUCTURES, INC. 1 WALLACE AVE. PHONE (207) 780-6722 SOUTH PORTLAND, ME 04106 FAX (207) 780-6725			
STRUCTURE: VT RTE 15 OVER CENTERVILLE BRIDGE #42 HYDE PARK LAMOILLE COUNTY				DRWN: JAS	DATE: 02/28	
LOCATION: HYDE PARK, VT				CHKD: JH	DATE: 3/6/14	
PROJ NO. STP CULV (26)	JOB NO. 565		DWG NO. 1		REV. 1	
CUSTOMER: VDOT				REV. 1		